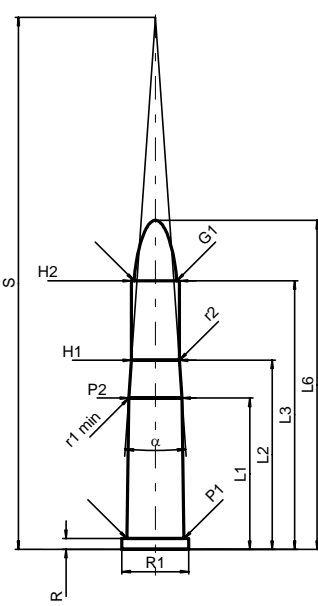
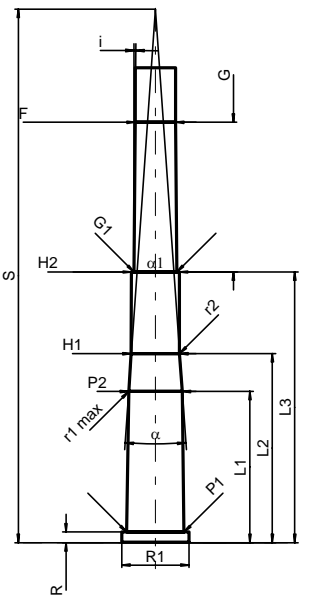
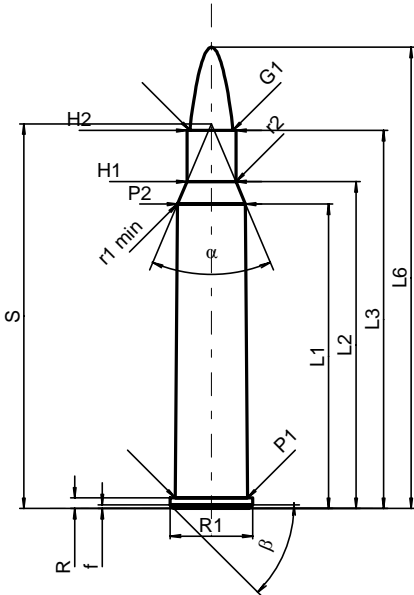
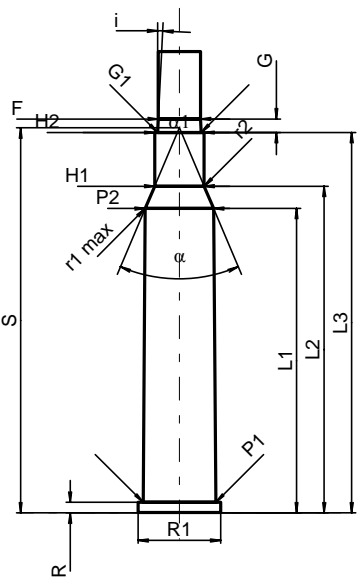


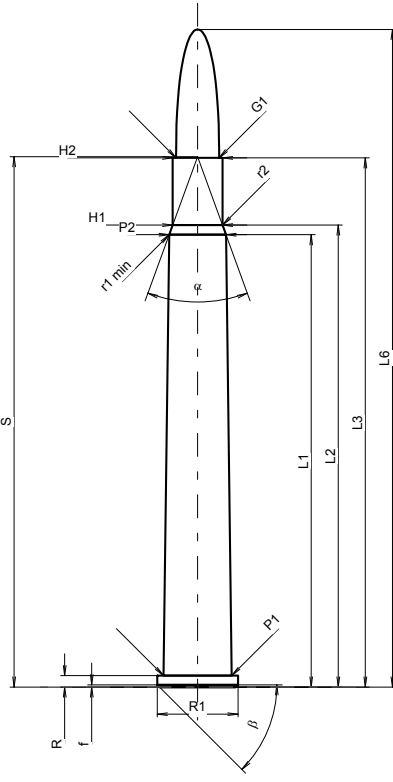
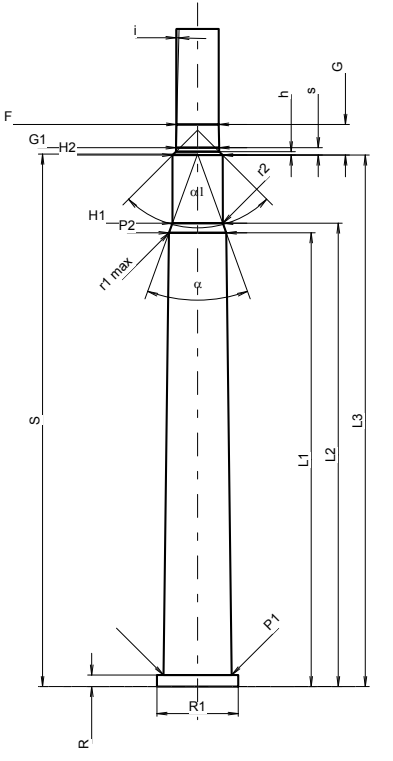
C.I.P.	5,6 x 35 R		TAB.	II
	Ursprungsland: DE		Datum	84-06-14
			Revision	02-05-15
	PATRONE MAXI		PATRONENLAGER MINI	
	<p>Längen</p> <p>L1* = 20.00 L2* = 25.00 L3¹⁾ = 35.50 L4 = L5 = L6 = 43.50</p> <p>Hülsenboden</p> <p>R¹⁾ = 1.40 -0.20 R1 = 8.85 R3 = E = E1 = e min = delta = f = beta =</p> <p>Pulverkammer</p> <p>P1 = 7.55 P2* = 7.05</p> <p>Schulterkonus</p> <p>alpha = 8°00'30" S = 70.36 r1 min = 0.50 r2 = 0.50</p> <p>Hülsenhals</p> <p>H1* = 6.35 H2¹⁾ = 6.33</p> <p>Geschoss</p> <p>G1¹⁾ = 5.63 G2 = F = L3+G¹⁾ = 55.30</p> <p>Drücke (Energien) Mech. elektr. Wandler</p> <p>Pmax = 2700 bar PK = 3105 bar PE = 3510 bar M = 17.50 EE = 855 Joule</p> <p>Verschiedene Daten</p> <p>Fe¹⁾ = 0.15 delta L =</p>		<p>Längen</p> <p>L1* = 20.00 L2* = 25.00 L3¹⁾ = 35.80</p> <p>Stoßboden</p> <p>R¹⁾ = 1.40 R1 = 8.90 R2 = R3 = r =</p> <p>Pulverkammer</p> <p>E = P1¹⁾ = 7.58 P2* = 7.08</p> <p>Schulterkonus</p> <p>alpha = 8°00'30" S = 70.57 r1 max = 0.50 r2 = 0.50</p> <p>Hülsenhals</p> <p>H1* = 6.38 H2¹⁾ = 6.35</p> <p>Geschossübergang</p> <p>G1¹⁾* = 5.68 G¹⁾* = 19.80 alpha1 = 180° h = s = i¹⁾ = 0°28'39" w =</p> <p>Lauf</p> <p>F¹⁾* = 5.35 Z¹⁾ = 5.58</p> <p>Züge</p> <p>b = 2.40 N = 4 u = 360.00 Q = 23.62 mm²</p>	
				
Maßstab 1:1				
Maße in << mm >> Maße und Toleranzen für Messläufe siehe Anhang CR 1.		Bemerkungen: 1) Kontrolle aus Sicherheitsgründen * Grundmaße		

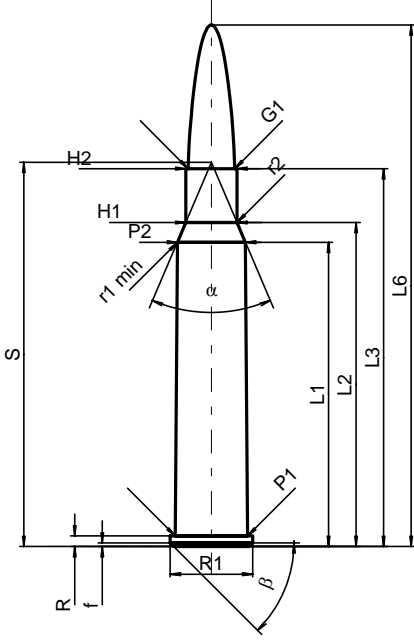
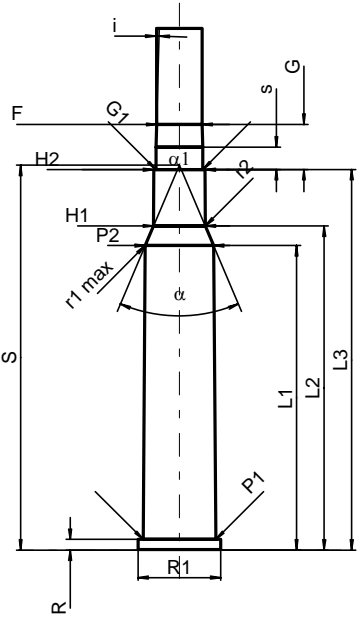
C.I.P.	5,6 x 50 R Mag. Ursprungsland: DE	TAB. II
		Datum 98-02-20
		Revision 02-05-15
	PATRONE MAXI	PATRONENLAGER MINI
	<p>Längen</p> <p>L1* = 40.26 L2* = 43.23 L3¹⁾ = 50.00 L4 = L5 = L6 = 61.00</p> <p>Hülsenboden</p> <p>R¹⁾ = 1.40 -0.25 R1 = 10.90 R3 = E = E1 = e min = delta = f = 0.50 beta = 45°</p> <p>Pulverkammer</p> <p>P1 = 9.59 P2* = 9.00</p> <p>Schulterkonus</p> <p>alpha = 45°58'38" S = 50.87 r1 min = 0.50 r2 = 0.50</p> <p>Hülsenhals</p> <p>H1* = 6.48 H2¹⁾ = 6.48</p> <p>Geschoss</p> <p>G1¹⁾ = 5.70 G2 = F = L3+G¹⁾ = 51.80</p> <p>Drücke (Energien) Mech. elektr. Wandler</p> <p>Pmax = 3400 bar PK = 3910 bar PE = 4250 bar M = 25.00 EE = 1950 Joule</p> <p>Verschiedene Daten</p> <p>Fe¹⁾ = 0.15 delta L =</p>	<p>Längen</p> <p>L1* = 40.26 L2* = 43.21 L3¹⁾ = 50.30</p> <p>Stoßboden</p> <p>R¹⁾ = 1.40 R1 = 10.93 R2 = R3 = r =</p> <p>Pulverkammer</p> <p>E = P1¹⁾ = 9.62 P2* = 9.03</p> <p>Schulterkonus</p> <p>alpha = 45°55'40" S = 50.92 r1 max = 0.50 r2 = 0.50</p> <p>Hülsenhals</p> <p>H1* = 6.53 H2¹⁾ = 6.51</p> <p>Geschossübergang</p> <p>G1¹⁾* = 5.74 G¹⁾* = 1.80 alpha1 = 180° h = s = i¹⁾ = 2°51'45" w =</p> <p>Lauf</p> <p>F¹⁾* = 5.56 Z¹⁾ = 5.69</p> <p>Züge</p> <p>b = 2.00 N = 6 u = 350.00 Q = 25.08 mm²</p>
	<p>Hülsenboden</p> <p>R¹⁾ = 1.40 -0.25 R1 = 10.90 R3 = E = E1 = e min = delta = f = 0.50 beta = 45°</p> <p>Pulverkammer</p> <p>P1 = 9.59 P2* = 9.00</p> <p>Schulterkonus</p> <p>alpha = 45°58'38" S = 50.87 r1 min = 0.50 r2 = 0.50</p> <p>Hülsenhals</p> <p>H1* = 6.48 H2¹⁾ = 6.48</p> <p>Geschoss</p> <p>G1¹⁾ = 5.70 G2 = F = L3+G¹⁾ = 51.80</p> <p>Drücke (Energien) Mech. elektr. Wandler</p> <p>Pmax = 3400 bar PK = 3910 bar PE = 4250 bar M = 25.00 EE = 1950 Joule</p> <p>Verschiedene Daten</p> <p>Fe¹⁾ = 0.15 delta L =</p>	<p>Längen</p> <p>L1* = 40.26 L2* = 43.21 L3¹⁾ = 50.30</p> <p>Stoßboden</p> <p>R¹⁾ = 1.40 R1 = 10.93 R2 = R3 = r =</p> <p>Pulverkammer</p> <p>E = P1¹⁾ = 9.62 P2* = 9.03</p> <p>Schulterkonus</p> <p>alpha = 45°55'40" S = 50.92 r1 max = 0.50 r2 = 0.50</p> <p>Hülsenhals</p> <p>H1* = 6.53 H2¹⁾ = 6.51</p> <p>Geschossübergang</p> <p>G1¹⁾* = 5.74 G¹⁾* = 1.80 alpha1 = 180° h = s = i¹⁾ = 2°51'45" w =</p> <p>Lauf</p> <p>F¹⁾* = 5.56 Z¹⁾ = 5.69</p> <p>Züge</p> <p>b = 2.00 N = 6 u = 350.00 Q = 25.08 mm²</p>
<p>Maßstab 1:1</p> <p>Maße in << mm >> Maße und Toleranzen für Messläufe siehe Anhang CR 1.</p>	<p>Bemerkungen: 1) Kontrolle aus Sicherheitsgründen * Grundmaße</p>	

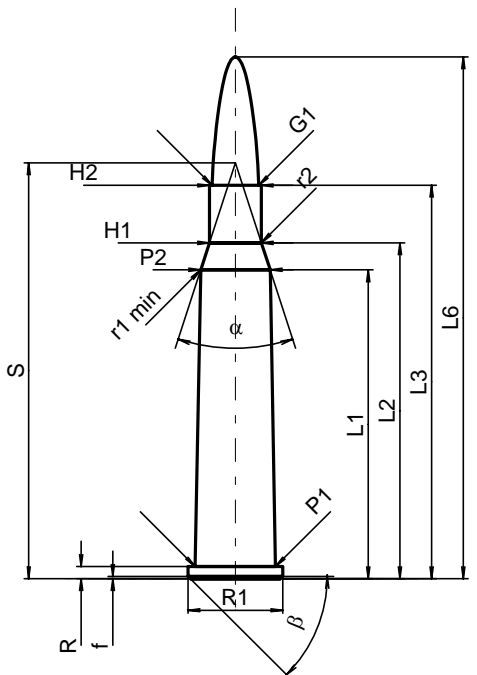
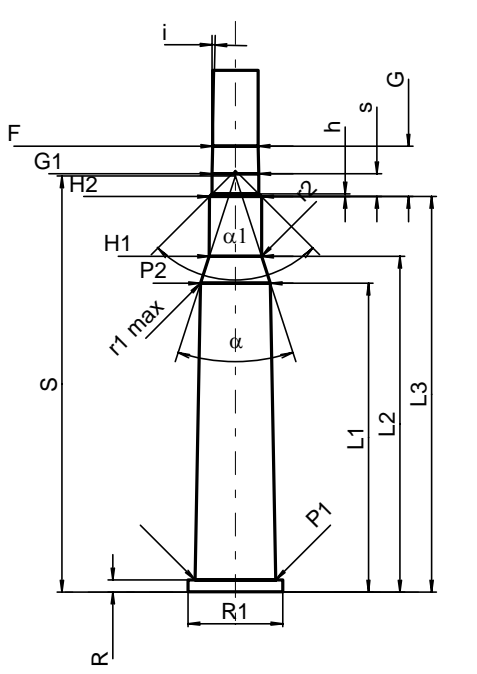
C.I.P.	5,6 x 52 R		TAB.	II
	Ursprungsland: DE		Datum	84-06-14
			Revision	02-05-15
	PATRONE MAXI		PATRONENLAGER MINI	
	<p>Längen</p> <p>L1* = 35.03 L2* = 41.62 L3¹⁾ = 52.00 L4 = L5 = L6 = 63.75</p> <p>Hülsenboden</p> <p>R¹⁾ = 1.60 -0.25 R1 = 12.50 R3 = E = E1 = e min = delta = f = 0.30 beta = 45°</p> <p>Pulverkammer</p> <p>P1 = 10.62 P2* = 9.20</p> <p>Schulterkonus</p> <p>alpha = 23°59'16" S = 56.68 r1 min = 0.50 r2 = 0.50</p> <p>Hülsenhals</p> <p>H1* = 6.40 H2¹⁾ = 6.40</p> <p>Geschoss</p> <p>G1¹⁾ = 5.79 G2 = F = L3+G¹⁾ = 70.00</p> <p>Drücke (Energien)</p> <p>Mech. elektr. Wandler</p> <p>Pmax = 3300 bar PK = 3795 bar PE = 4125 bar M = 25.00 EE = 1830 Joule</p> <p>Verschiedene Daten</p> <p>Fe¹⁾ = 0.15 delta L =</p>		<p>Längen</p> <p>L1* = 35.03 L2* = 41.62 L3¹⁾ = 52.30</p> <p>Stoßboden</p> <p>R¹⁾ = 1.60 R1 = 12.55 R2 = R3 = r =</p> <p>Pulverkammer</p> <p>E = P1¹⁾ = 10.65 P2* = 9.23</p> <p>Schulterkonus</p> <p>alpha = 24° S = 56.74 r1 max = 3.80 r2 = 7.60</p> <p>Hülsenhals</p> <p>H1* = 6.43 H2¹⁾ = 6.42</p> <p>Geschossübergang</p> <p>G1¹⁾* = 5.85 G¹⁾* = 18.00 alpha1 = 180° h = s = i¹⁾ = 0°28'39" w =</p> <p>Lauf</p> <p>F¹⁾* = 5.55 Z¹⁾ = 5.75</p> <p>Züge</p> <p>b = 2.00 N = 6 u = 270.00 Q = 25.42 mm²</p>	
Maßstab 1:1 Maße in << mm >> Maße und Toleranzen für Messläufe siehe Anhang CR 1.		Bemerkungen: 1) Kontrolle aus Sicherheitsgründen * Grundmaße		

C.I.P.	5,6 x 57 R		TAB.	II
	Ursprungsland: DE		Datum	84-06-14
			Revision	02-05-15
	PATRONE MAXI		PATRONE NLAGER MINI	
	<p>Längen</p> <p>L1* = 44.37 L2* = 50.28 L3¹⁾ = 56.70 L4 = L5 = L6 = 69.00</p> <p>Hülsenboden</p> <p>R¹⁾ = 1.40 -0.25 R1 = 13.32 R3 = E = E1 = e min = delta = f = 0.30 beta = 45°</p> <p>Pulverkammer</p> <p>P1 = 11.94 P2* = 10.94</p> <p>Schulterkonus</p> <p>alpha = 34°49'06" S = 61.82 r1 min = 0.50 r2 = 0.50</p> <p>Hülsenhals</p> <p>H1* = 7.24 H2¹⁾ = 7.10</p> <p>Geschoss</p> <p>G1¹⁾ = 5.70 G2 = F = L3+G¹⁾ = 67.50</p> <p>Drücke (Energien)</p> <p>Mech. elektr. Wandler</p> <p>Pmax = 4400 bar PK = 5060 bar PE = 5500 bar M = 25.00 EE = 2720 Joule</p> <p>Verschiedene Daten</p> <p>Fe¹⁾ = 0.10 delta L =</p>		<p>Längen</p> <p>L1* = 44.46 L2* = 50.38 L3¹⁾ = 57.00</p> <p>Stoßboden</p> <p>R¹⁾ = 1.40 R1 = 13.40 R2 = R3 = r =</p> <p>Pulverkammer</p> <p>E = P1¹⁾ = 11.97 P2* = 10.97</p> <p>Schulterkonus</p> <p>alpha = 34°47'46" S = 61.96 r1 max = 0.50 r2 = 0.50</p> <p>Hülsenhals</p> <p>H1* = 7.26 H2¹⁾ = 7.12</p> <p>Geschossübergang</p> <p>G1¹⁾* = 5.72 G¹⁾* = 10.80 alpha1 = 180° h = s = i¹⁾ = 0°28'39" w =</p> <p>Lauf</p> <p>F¹⁾* = 5.54 Z¹⁾ = 5.69</p> <p>Züge</p> <p>b = 2.00 N = 6 u = 250.00 Q = 25.03 mm²</p>	
	PATRONE MAXI		PATRONE NLAGER MINI	
Maßstab 1:1		Bemerkungen: 1) Kontrolle aus Sicherheitsgründen * Grundmaße		
Maße in << mm >> Maße und Toleranzen für Messläufe siehe Anhang CR 1.				

C.I.P.	5,6 x 61 R SE v. H.	TAB.	II
		Datum	84-06-14
		Revision	02-05-15
Ursprungsland: DE			
	PATRONE MAXI		PATRONENLAGER MINI
	<p>Längen</p> <p>L1* = 44.00 L2* = 53.05 L3¹⁾ = 61.00 L4 = L5 = L6 = 80.00</p> <p>Hülsenboden</p> <p>R¹⁾ = 1.60 -0.25 R1 = 13.60 R3 = E = E1 = e min = delta = f = 0.30 beta = 45°</p> <p>Pulverkammer</p> <p>P1 = 12.22 P2* = 11.60</p> <p>Schulterkonus</p> <p>alpha = 30° S = 65.65 r1 min = 0.50 r2 = 0.50</p> <p>Hülsenhals</p> <p>H1* = 6.75 H2¹⁾ = 6.68</p> <p>Geschoss</p> <p>G1¹⁾ = 5.76 G2 = F = L3+G¹⁾ = 76.00</p> <p>Drücke (Energien) Mech. elektr. Wandler</p> <p>Pmax = 3800 bar PK = 4370 bar PE = 4750 bar M = 25.00 EE = 2945 Joule</p> <p>Verschiedene Daten</p> <p>Fe¹⁾ = 0.15 delta L =</p>		<p>Längen</p> <p>L1* = 44.00 L2* = 53.05 L3¹⁾ = 61.30</p> <p>Stoßboden</p> <p>R¹⁾ = 1.60 R1 = 13.65 R2 = R3 = r =</p> <p>Pulverkammer</p> <p>E = P1¹⁾ = 12.25 P2* = 11.63</p> <p>Schulterkonus</p> <p>alpha = 30° S = 65.70 r1 max = 0.50 r2 = 0.50</p> <p>Hülsenhals</p> <p>H1* = 6.78 H2¹⁾ = 6.71</p> <p>Geschossübergang</p> <p>G1¹⁾* = 5.88 G¹⁾* = 15.00 alpha1 = 180° h = s = i¹⁾ = 0°34'22" w =</p> <p>Lauf</p> <p>F¹⁾* = 5.58 Z¹⁾ = 5.76</p> <p>Züge</p> <p>b = 2.60 N = 4 u = 220.00 Q = 25.43 mm²</p>
	Maßstab 1:1		
Maße in << mm >> Maße und Toleranzen für Messläufe siehe Anhang CR 1.		Bemerkungen: 1) Kontrolle aus Sicherheitsgründen * Grundmaße	

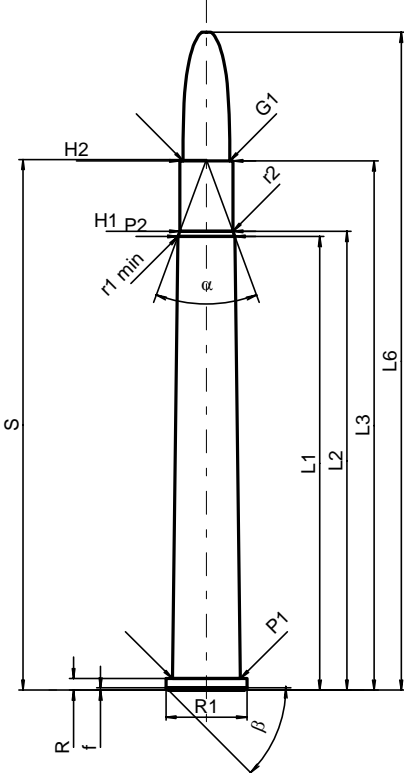
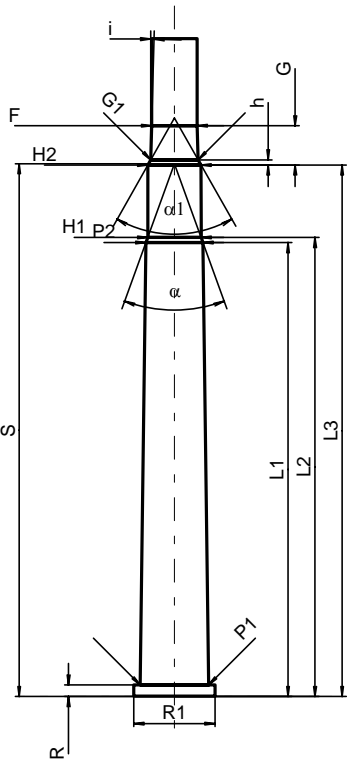
C.I.P.	5,6 x 70 R		TAB.	II
			Datum	08-04-15
	Ursprungsland: DE		Revision	
	PATRONE MAXI		PATRONENLAGER MINI	
	<p>Längen</p> <p>L1 = 59.84 L2 = 61.12 L3 ¹⁾ = 70.00 L4 = L5 = L6 = 87.00</p> <p>Hülsenboden</p> <p>R ¹⁾ = 1.52 -0.25 R1 = 10.70 R3 = E = E1 = e min = delta = f = 0.30 beta = 45°</p> <p>Pulverkammer</p> <p>P1 = 9.03 P2 * = 7.52</p> <p>Schulterkonus</p> <p>alpha * = 40° S * = 70.17 r1 min = 0.50 r2 = 0.50</p> <p>Hülsenhals</p> <p>H1 * = 6.59 H2 ¹⁾ = 6.59</p> <p>Geschoss</p> <p>G1 ¹⁾ = 5.70 G2 = F = L3+G ¹⁾ = 74.06</p> <p>Drücke (Energien)</p> <p>Mech. elektr. Wandler</p> <p>Pmax = 2600 bar PK = 2990 bar PE = 3250 bar M = 25.00 EE = 1785 Joule</p> <p>Verschiedene Daten</p> <p>Fe ¹⁾⁴⁾ = 0.15 delta L =</p>		<p>Längen</p> <p>L1 = 60.03 L2 = 61.29 L3 ¹⁾ = 70.30</p> <p>Stoßboden</p> <p>R ¹⁾ = 1.52 R1 = 10.75 R2 = R3 = r =</p> <p>Pulverkammer</p> <p>E = P1 ¹⁾ = 9.03 P2 * = 7.57</p> <p>Schulterkonus</p> <p>alpha * = 40° S * = 70.43 r1 max = 0.50 r2 = 0.50</p> <p>Hülsenhals</p> <p>H1 * = 6.65 H2 ¹⁾ = 6.62</p> <p>Geschossübergang</p> <p>G1 ¹⁾* = 5.72 G ¹⁾ = 4.06 alpha1 * = 90° h = 0.45 s = 1.00 i ¹⁾* = 1°30' w =</p> <p>Lauf</p> <p>F ¹⁾* = 5.56 Z ¹⁾ = 5.69</p> <p>Züge</p> <p>b = 2.00 N = 6 u = 290.00 Q = 25.08 mm²</p>	
				
Maßstab 1:1 Maße in << mm >> Maße und Toleranzen für Messläufe siehe Anhang CR 1.			Bemerkungen: 1) Kontrolle aus Sicherheitsgründen 4) Verschlussabstand an Rand * Grundmaße	

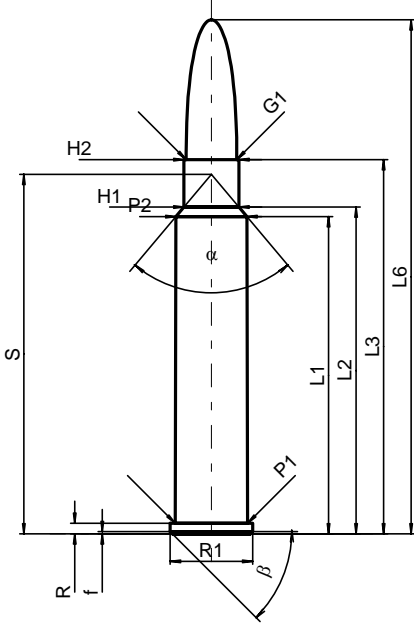
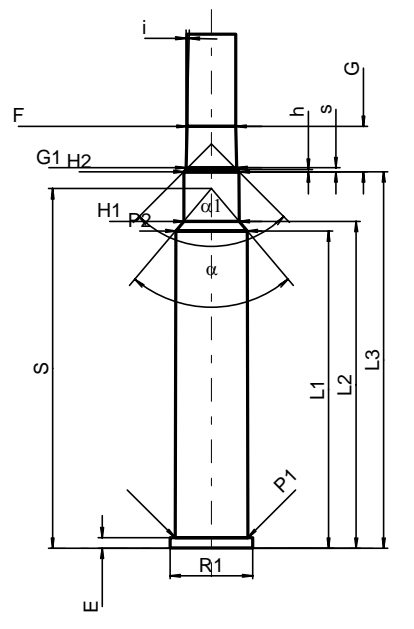
C.I.P.	6 x 50 R Scheiring		TAB.	II
	Ursprungsland: AT		Datum	87-09-29
			Revision	02-05-15
	PATRONE MAXI		PATRONENLAGER MINI	
	<p>Längen</p> <p>L1* = 40.26 L2* = 42.87 L3¹⁾ = 50.00 L4 = L5 = L6 = 69.00</p> <p>Hülsenboden</p> <p>R¹⁾ = 1.40 -0.15 R1 = 10.90 R3 = E = E1 = e min = delta = f = 0.50 beta = 45°</p> <p>Pulverkammer</p> <p>P1 = 9.59 P2* = 9.00</p> <p>Schulterkonus</p> <p>alpha = 46°04'44" S = 50.84 r1 min = 0.50 r2 = 0.50</p> <p>Hülsenhals</p> <p>H1* = 6.78 H2¹⁾ = 6.75</p> <p>Geschoss</p> <p>G1¹⁾ = 6.17 G2 = F = L3+G¹⁾ = 56.00</p> <p>Drücke (Energien)</p> <p>Mech. elektr. Wandler</p> <p>Pmax = 4400 bar PK = 5060 bar PE = 5500 bar M = 25.00 EE = 2100 Joule</p> <p>Verschiedene Daten</p> <p>Fe¹⁾ = 0.10 delta L =</p>		<p>Längen</p> <p>L1* = 40.26 L2* = 42.85 L3¹⁾ = 50.30</p> <p>Stoßboden</p> <p>R¹⁾ = 1.40 R1 = 10.93 R2 = R3 = r =</p> <p>Pulverkammer</p> <p>E = P1¹⁾ = 9.62 P2* = 9.03</p> <p>Schulterkonus</p> <p>alpha = 46°01'22" S = 50.89 r1 max = 0.50 r2 = 0.50</p> <p>Hülsenhals</p> <p>H1* = 6.83 H2¹⁾ = 6.80</p> <p>Geschossübergang</p> <p>G1¹⁾* = 6.19 G¹⁾* = 6.00 alpha1 = 180° h = s* = 3.00 i¹⁾ = 1°37'22" w =</p> <p>Lauf</p> <p>F¹⁾* = 6.02 Z¹⁾ = 6.17</p> <p>Züge</p> <p>b = 1.73 N = 6 u = 254.00 Q = 29.25 mm²</p>	
				
<p>Maßstab 1:1</p> <p>Maße in << mm >> Maße und Toleranzen für Messläufe siehe Anhang CR 1.</p>		<p>Bemerkungen: 1) Kontrolle aus Sicherheitsgründen * Grundmaße</p>		

C.I.P.	6 x 52 R BB2		TAB.	II
	Ursprungsland: DE		Datum	05-05-25
			Revision	
	PATRONE MAXI		PATRONENLAGER MINI	
	<p>Längen</p> <p>L1 = 40.83 L2 = 44.40 L3 ¹⁾ = 52.00 L4 = L5 = L6 = 69.00</p> <p>Hülsenboden</p> <p>R ¹⁾ = 1.60 -0.25 R1 = 12.50 R3 = E = E1 = e min = delta = f = 0.30 beta = 45°</p> <p>Pulverkammer</p> <p>P1 = 10.62 P2 * = 9.20</p> <p>Schulterkonus</p> <p>alpha * = 36° S * = 54.99 r1 min = 0.50 r2 = 0.50</p> <p>Hülsenhals</p> <p>H1 * = 6.88 H2 ¹⁾ = 6.88</p> <p>Geschoss</p> <p>G1 ^{1)*} = 6.17 G2 = F = L3+G ¹⁾ = 58.67</p> <p>Drücke (Energien)</p> <p>Mech. elektr. Wandler</p> <p>Pmax = 3300 bar PK = 3795 bar PE = 4125 bar M = 25.00 EE = 2200 Joule</p> <p>Verschiedene Daten</p> <p>Fe ¹⁾ = 0.15 delta L =</p>		<p>Längen</p> <p>L1 = 40.82 L2 = 44.39 L3 ¹⁾ = 52.30</p> <p>Stoßboden</p> <p>R ¹⁾ = 1.60 R1 = 12.55 R2 = R3 = r =</p> <p>Pulverkammer</p> <p>E = P1 ¹⁾ = 10.65 P2 * = 9.23</p> <p>Schulterkonus</p> <p>alpha * = 36° S * = 55.02 r1 max = 0.50 r2 = 0.50</p> <p>Hülsenhals</p> <p>H1 * = 6.91 H2 ¹⁾ = 6.90</p> <p>Geschossübergang</p> <p>G1 ^{1)*} = 6.19 G ¹⁾ = 6.67 alpha1 = 90° h = 0.36 s * = 3.00 i ^{1)*} = 1°19'36" w =</p> <p>Lauf</p> <p>F ^{1)*} = 6.02 Z ¹⁾ = 6.17</p> <p>Züge</p> <p>b = 1.73 N = 6 u = 254.00 Q = 29.25 mm²</p>	
				
<p>Maßstab 1:1</p> <p>Maße in << mm >> Maße und Toleranzen für Messläufe siehe Anhang CR 1.</p>		<p>Bemerkungen: 1) Kontrolle aus Sicherheitsgründen * Grundmaße</p>		

C.I.P.	6 x 52 R Bretschneider	TAB.	II
		Datum	98-01-27
		Revision	02-05-15
Ursprungsland: DE			
	PATRONE MAXI	PATRONENLAGER MINI	
	<p>Längen</p> <p>L1* = 35.04 L2* = 40.73 L3¹⁾ = 52.00 L4 = L5 = L6 = 68.50</p> <p>Hülsenboden</p> <p>R¹⁾ = 1.60 -0.25 R1 = 12.50 R3 = E = E1 = e min = delta = f = 0.30 beta = 45°</p> <p>Pulverkammer</p> <p>P1 = 10.62 P2* = 9.20</p> <p>Schulterkonus</p> <p>alpha = 24°00'38" S = 56.67 r1 min = 0.50 r2 = 0.50</p> <p>Hülsenhals</p> <p>H1* = 6.78 H2¹⁾ = 6.78</p> <p>Geschoss</p> <p>G1¹⁾ = 6.17 G2 = F = L3+G¹⁾ = 58.67</p> <p>Drücke (Energien)</p> <p>Mech. elektr. Wandler</p> <p>Pmax = 3300 bar PK = 3795 bar PE = 4125 bar M = 25.00 EE = 2205 Joule</p> <p>Verschiedene Daten</p> <p>Fe¹⁾ = 0.15 delta L =</p>	<p>Längen</p> <p>L1* = 35.03 L2* = 40.72 L3¹⁾ = 52.30</p> <p>Stoßboden</p> <p>R¹⁾ = 1.60 R1 = 12.55 R2 = R3 = r =</p> <p>Pulverkammer</p> <p>E = P1¹⁾ = 10.65 P2* = 9.23</p> <p>Schulterkonus</p> <p>alpha = 24°00'38" S = 56.73 r1 max = 3.80 r2 = 7.50</p> <p>Hülsenhals</p> <p>H1* = 6.81 H2¹⁾ = 6.80</p> <p>Geschossübergang</p> <p>G1¹⁾* = 6.19 G¹⁾* = 6.67 alpha1 = 90° h = 0.31 s* = 3.00 i¹⁾ = 1°19'36" w =</p> <p>Lauf</p> <p>F¹⁾* = 6.02 Z¹⁾ = 6.17</p> <p>Züge</p> <p>b = 1.73 N = 6 u = 254.00 Q = 29.25 mm²</p>	
Maßstab 1:1			
Maße in << mm >> Maße und Toleranzen für Messläufe siehe Anhang CR 1.		Bemerkungen: 1) Kontrolle aus Sicherheitsgründen * Grundmaße	

C.I.P.	6 x 62 R Freres		TAB.	II
	Ursprungsland: DE		Datum	92-02-27
			Revision	02-05-15
	PATRONE MAXI		PATRONENLAGER MINI	
	<p>Längen</p> <p>L1* = 49.40 L2* = 55.75 L3¹⁾ = 61.75 L4 = L5 = L6 = 82.00</p> <p>Hülsenboden</p> <p>R¹⁾ = 1.40 -0.25 R1 = 13.50 R3 = E = E1 = e min = delta = f = beta =</p> <p>Pulverkammer</p> <p>P1 = 12.12 P2* = 11.53</p> <p>Schulterkonus</p> <p>alpha = 39°58'50" S = 65.25 r1 min = r2 =</p> <p>Hülsenhals</p> <p>H1* = 6.91 H2¹⁾ = 6.91</p> <p>Geschoss</p> <p>G1¹⁾ = 6.18 G2 = F = L3+G¹⁾ = 68.42</p> <p>Drücke (Energien)</p> <p>Mech. elektr. Wandler</p> <p>Pmax = 4300 bar PK = 4945 bar PE = 5375 bar M = 25.00 EE = 3435 Joule</p> <p>Verschiedene Daten</p> <p>Fe¹⁾ = 0.10 delta L =</p>		<p>Längen</p> <p>L1* = 49.40 L2* = 55.72 L3¹⁾ = 62.00</p> <p>Stoßboden</p> <p>R¹⁾ = 1.40 R1 = 13.55 R2 = R3 = r =</p> <p>Pulverkammer</p> <p>E = P1¹⁾ = 12.14 P2* = 11.55</p> <p>Schulterkonus</p> <p>alpha = 39°59'43" S = 65.27 r1 max = r2 =</p> <p>Hülsenhals</p> <p>H1* = 6.95 H2¹⁾ = 6.93</p> <p>Geschossübergang</p> <p>G1¹⁾* = 6.19 G¹⁾* = 6.67 alpha1 = 180° h = s* = 2.97 i¹⁾ = 1°19' w =</p> <p>Lauf</p> <p>F¹⁾* = 6.02 Z¹⁾ = 6.17</p> <p>Züge</p> <p>b = 1.73 N = 6 u = 260.00 Q = 29.25 mm²</p>	
Maßstab 1:1				
Maße in << mm >> Maße und Toleranzen für Messläufe siehe Anhang CR 1.		Bemerkungen: 1) Kontrolle aus Sicherheitsgründen * Grundmaße		

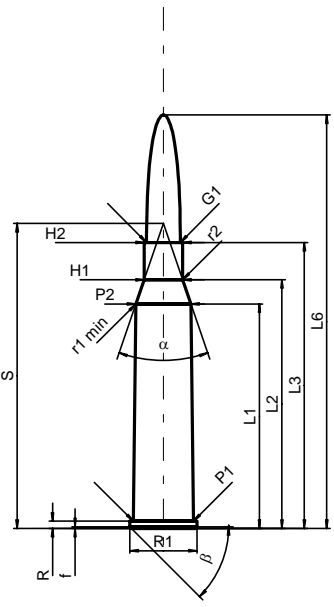
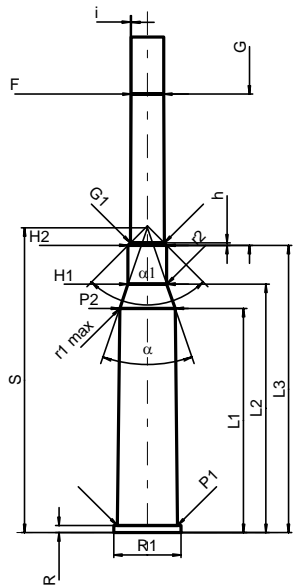
C.I.P.	6 x 70 R		TAB.	II
	Ursprungsland: DE		Datum	00-06-28
			Revision	02-05-15
	PATRONE MAXI		PATRONENLAGER MINI	
	<p>Längen</p> <p>L1* = 60.00 L2* = 60.69 L3¹⁾ = 70.00 L4 = L5 = L6 = 87.00</p> <p>Hülsenboden</p> <p>R¹⁾ = 1.52 -0.25 R1 = 10.70 R3 = E = E1 = e min = delta = f = 0.30 beta = 45°</p> <p>Pulverkammer</p> <p>P1 = 9.00 P2* = 7.52</p> <p>Schulterkonus</p> <p>alpha = 40°33'54" S = 70.17 r1 min = 0.50 r2 = 0.50</p> <p>Hülsenhals</p> <p>H1* = 7.01 H2¹⁾ = 7.01</p> <p>Geschoss</p> <p>G1¹⁾ = 6.17 G2 = F = L3+G¹⁾ = 75.18</p> <p>Drücke (Energien)</p> <p>Mech. elektr. Wandler</p> <p>Pmax = 2600 bar PK = 2990 bar PE = 3250 bar M = 25.00 EE = 1785 Joule</p> <p>Verschiedene Daten</p> <p>Fe¹⁾ = 0.15 delta L =</p>		<p>Längen</p> <p>L1* = 60.03 L2* = 60.72 L3¹⁾ = 70.30</p> <p>Stoßboden</p> <p>R¹⁾ = 1.52 R1 = 10.75 R2 = R3 = r =</p> <p>Pulverkammer</p> <p>E = P1¹⁾ = 9.03 P2* = 7.57</p> <p>Schulterkonus</p> <p>alpha = 39°50' S = 70.48 r1 max = r2 =</p> <p>Hülsenhals</p> <p>H1* = 7.07 H2¹⁾ = 7.04</p> <p>Geschossübergang</p> <p>G1¹⁾* = 6.26 G¹⁾* = 5.18 alpha1 = 58°57'06" h* = 0.69 s = i¹⁾ = 1°31'51" w =</p> <p>Lauf</p> <p>F¹⁾* = 6.02 Z¹⁾ = 6.17</p> <p>Züge</p> <p>b = 1.73 N = 6 u = 254.00 Q = 29.25 mm²</p>	
				
Maßstab 1:1 Maße in << mm >> Maße und Toleranzen für Messläufe siehe Anhang CR 1.		Bemerkungen: 1) Kontrolle aus Sicherheitsgründen * Grundmaße		

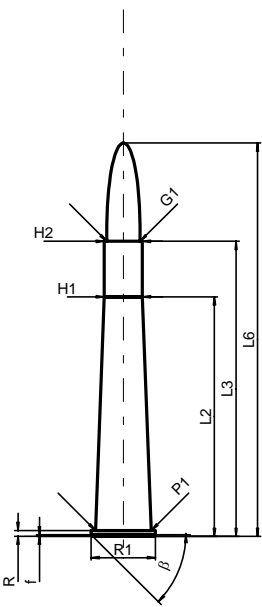
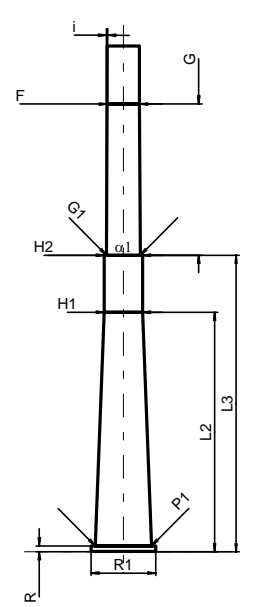
C.I.P.	6,5 x 50 R		TAB.	II
	Ursprungsland: DE		Datum	92-02-27
			Revision	02-05-15
	PATRONE MAXI		PATRONENLAGER MINI	
	<p>Längen</p> <p>L1* = 41.97 L2* = 43.23 L3¹⁾ = 49.50 L4 = L5 = L6 = 68.00</p> <p>Hülsenboden</p> <p>R¹⁾ = 1.40 -0.25 R1 = 10.90 R3 = E = E1 = e min = delta = f = 0.30 beta = 45°</p> <p>Pulverkammer</p> <p>P1 = 9.59 P2* = 9.40</p> <p>Schulterkonus</p> <p>alpha = 80°08'45" S = 47.56 r1 min = r2 =</p> <p>Hülsenhals</p> <p>H1* = 7.28 H2¹⁾ = 7.27</p> <p>Geschoss</p> <p>G1¹⁾ = 6.70 G2 = F = L3+G¹⁾ = 55.50</p> <p>Drücke (Energien)</p> <p>Mech. elektr. Wandler</p> <p>Pmax = 3650 bar PK = 4198 bar PE = 4563 bar M = 25.00 EE = 2500 Joule</p> <p>Verschiedene Daten</p> <p>Fe¹⁾ = 0.15 delta L =</p>		<p>Längen</p> <p>L1* = 41.98 L2* = 43.24 L3¹⁾ = 49.80</p> <p>Stoßboden</p> <p>R¹⁾ = 1.40 R1 = 10.93 R2 = R3 = r =</p> <p>Pulverkammer</p> <p>E = 1.40 P1¹⁾ = 9.62 P2* = 9.43</p> <p>Schulterkonus</p> <p>alpha = 80°08'45" S = 47.58 r1 max = r2 =</p> <p>Hülsenhals</p> <p>H1* = 7.31 H2¹⁾ = 7.30</p> <p>Geschossübergang</p> <p>G1¹⁾* = 6.72 G¹⁾* = 6.00 alpha1 = 90° h = 0.29 s* = 0.55 i¹⁾ = 1°25'08" w =</p> <p>Lauf</p> <p>F¹⁾* = 6.45 Z¹⁾ = 6.70</p> <p>Züge</p> <p>b = 3.60 N = 4 u = 228.00 Q = 34.58 mm²</p>	
				
<p>Maßstab 1:1</p> <p>Maße in << mm >> Maße und Toleranzen für Messläufe siehe Anhang CR 1.</p>		<p>Bemerkungen: 1) Kontrolle aus Sicherheitsgründen * Grundmaße</p>		

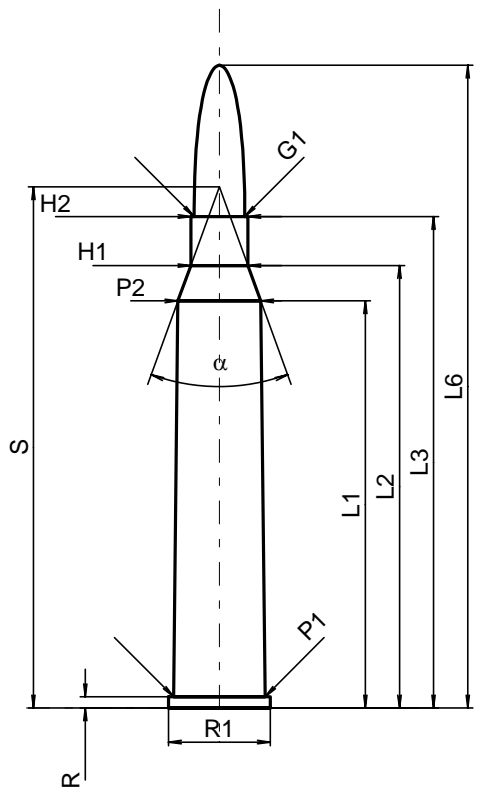
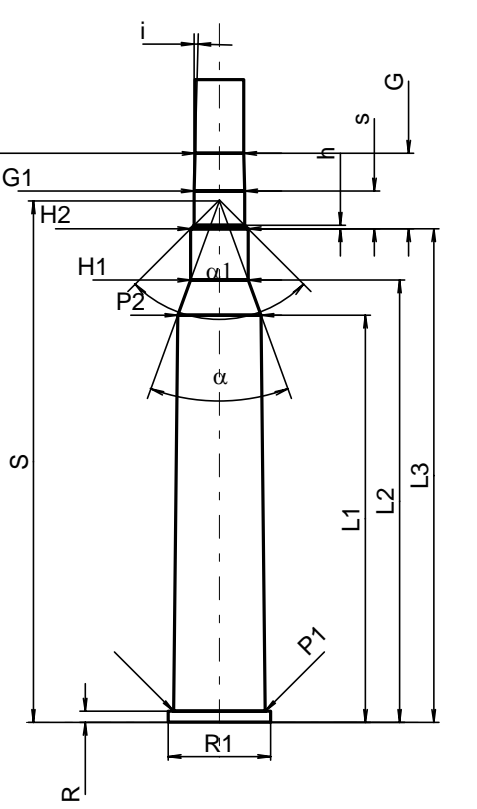
C.I.P.	6,5 x 51 R (Arisaka)	TAB.	II
		Datum	84-06-14
		Revision	13-05-22
Ursprungsland: JP			
	PATRONE MAXI	PATRONENLAGER MINI	
	<p>Längen</p> <p>L1 = 38.92 L2 = 43.40 L3 ¹⁾ = 51.00 L4 = L5 = L6 = 76.00</p> <p>Hülsenboden</p> <p>R ¹⁾ = 1.50 -0.25 R1 = 12.08 R3 = E = 2.40 E1 = 10.40 e min = 0.60 delta = 60° f = 0.30 beta = 45°</p> <p>Pulverkammer</p> <p>P1 = 11.45 P2 * = 10.40</p> <p>Schulterkonus</p> <p>alpha * = 37° S * = 54.46 r1 min = 0.50 r2 = 0.50</p> <p>Hülsenhals</p> <p>H1 * = 7.40 H2 ¹⁾ = 7.37</p> <p>Geschoss</p> <p>G1 ¹⁾ = 6.63 G2 = F = L3+G ¹⁾ = 69.50</p> <p>Drücke (Energien)</p> <p>Mech. elektr. Wandler</p> <p>Pmax = 2950 bar PK = 3393 bar PE = 3688 bar M = 25.00 EE = 2625 Joule</p> <p>Verschiedene Daten</p> <p>Fe ¹⁾⁴⁾ = 0.15 delta L =</p>	<p>Längen</p> <p>L1 = 38.93 L2 = 43.38 L3 ¹⁾ = 51.50</p> <p>Stoßboden</p> <p>R ¹⁾ = 1.50 R1 = 12.12 R2 = R3 = r =</p> <p>Pulverkammer</p> <p>E = P1 ¹⁾ = 11.48 P2 * = 10.43</p> <p>Schulterkonus</p> <p>alpha * = 37° S * = 54.51 r1 max = 0.50 r2 = 0.50</p> <p>Hülsenhals</p> <p>H1 * = 7.45 H2 ¹⁾ = 7.40</p> <p>Geschossübergang</p> <p>G1 ^{1)*)} = 6.69 G ¹⁾ = 18.50 alpha1 = 90° h * = 0.35 s = i ^{1)*)} = 0°34'05" w =</p> <p>Lauf</p> <p>F ^{1)*)} = 6.33 Z ¹⁾ = 6.63</p> <p>Züge</p> <p>b = 3.50 N = 4 u = 200.00 Q = 33.69 mm²</p>	
<p>Maßstab 1.01:1</p> <p>Maße in << mm >> Maße und Toleranzen für Messläufe siehe Anhang CR 1.</p>		<p>Bemerkungen: 1) Kontrolle aus Sicherheitsgründen 4) Verschlussabstand an Rand * Grundmaße</p>	

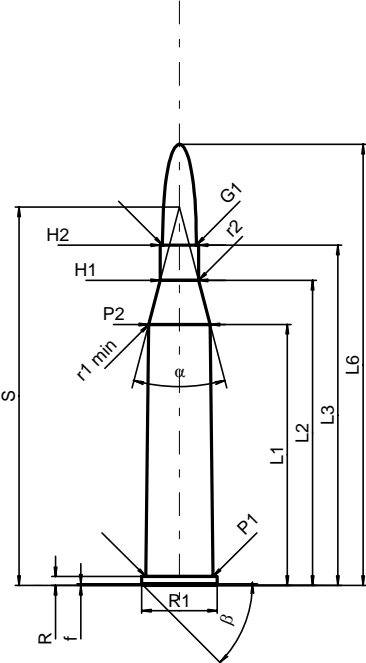
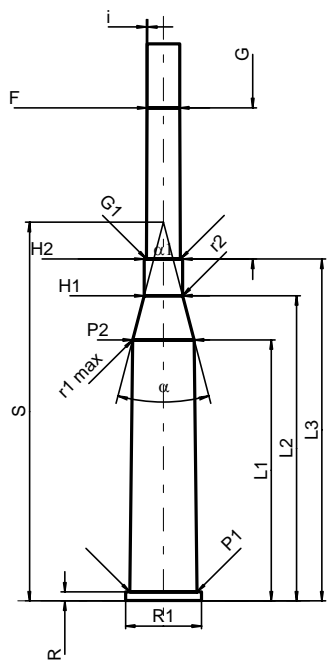
C.I.P.	6,5 x 52 R		TAB.	II
	Ursprungsland: DE		Datum	84-06-14
			Revision	02-05-15
	PATRONE MAXI		PATRONENLAGER MINI	
	<p>Längen</p> <p>L1* = 35.00 L2* = 40.00 L3¹⁾ = 52.00 L4 = L5 = L6 = 64.50</p> <p>Hülsenboden</p> <p>R¹⁾ = 1.60 -0.25 R1 = 12.60 R3 = E = E1 = e min = delta = f = 0.30 beta = 45°</p> <p>Pulverkammer</p> <p>P1 = 10.60 P2* = 9.20</p> <p>Schulterkonus</p> <p>alpha = 22°50'24" S = 57.77 r1 min = 0.50 r2 = 0.50</p> <p>Hülsenhals</p> <p>H1* = 7.18 H2¹⁾ = 7.18</p> <p>Geschoss</p> <p>G1¹⁾ = 6.58 G2 = F = L3+G¹⁾ = 68.00</p> <p>Drücke (Energien)</p> <p>Mech. elektr. Wandler</p> <p>Pmax = 2450 bar PK = 2818 bar PE = 3060 bar M = 25.00 EE = 1810 Joule</p> <p>Verschiedene Daten</p> <p>Fe¹⁾ = 0.15 delta L =</p>		<p>Längen</p> <p>L1* = 35.00 L2* = 40.00 L3¹⁾ = 52.30</p> <p>Stoßboden</p> <p>R¹⁾ = 1.60 R1 = 12.65 R2 = R3 = r =</p> <p>Pulverkammer</p> <p>E = P1¹⁾ = 10.63 P2* = 9.23</p> <p>Schulterkonus</p> <p>alpha = 22°50'24" S = 57.85 r1 max = 0.50 r2 = 0.50</p> <p>Hülsenhals</p> <p>H1* = 7.21 H2¹⁾ = 7.20</p> <p>Geschossübergang</p> <p>G1¹⁾* = 6.62 G¹⁾* = 16.00 alpha1 = 180° h = s = i¹⁾ = 0°34'22" w =</p> <p>Lauf</p> <p>F¹⁾* = 6.30 Z¹⁾ = 6.55</p> <p>Züge</p> <p>b = 3.50 N = 4 u = 260.00 Q = 33.02 mm²</p>	
Maßstab 1:1 Maße in << mm >> Maße und Toleranzen für Messläufe siehe Anhang CR 1.		Bemerkungen: 1) Kontrolle aus Sicherheitsgründen * Grundmaße		

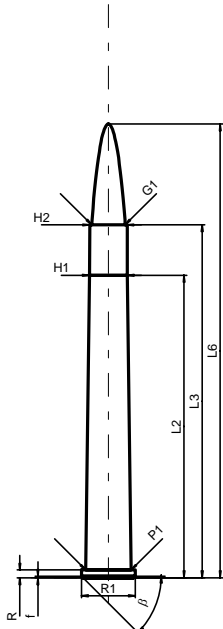
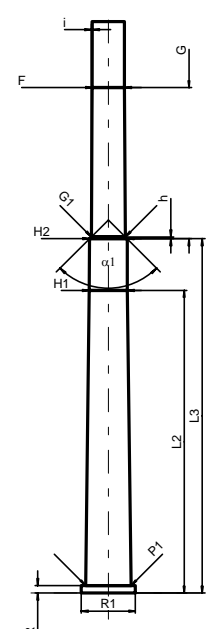
C.I.P.	6,5 x 52 R K&S		TAB.	II
			Datum	12-05-30
	Ursprungsland: DE		Revision	
	PATRONE MAXI		PATRONENLAGER MINI	
	<p>Längen</p> <p>L1 = 42.32 L2 = 44.18 L3 ¹⁾ = 51.80 L4 = L5 = L6 = 71.12</p> <p>Hülsenboden</p> <p>R ¹⁾ = 1.60 -0.25 R1 = 12.85 R3 = E = E1 = e min = delta = f = 0.38 beta = 35°</p> <p>Pulverkammer</p> <p>P1 = 10.72 P2 * = 10.42</p> <p>Schulterkonus</p> <p>alpha * = 80° S * = 48.53 r1 min = 1.00 r2 = 1.00</p> <p>Hülsenhals</p> <p>H1 * = 7.30 H2 ¹⁾ = 7.30</p> <p>Geschoss</p> <p>G1 ¹⁾ = 6.72 G2 = F = L3+G ¹⁾ = 60.15</p> <p>Drücke (Energien)</p> <p>Mech. elektr. Wandler</p> <p>Pmax = 3250 bar PK = 3738 bar PE = 4063 bar M = 25.00 EE = 2450 Joule</p> <p>Verschiedene Daten</p> <p>Fe ¹⁾⁴⁾ = 0.15 delta L =</p>		<p>Längen</p> <p>L1 = 42.35 L2 = 44.20 L3 ¹⁾ = 52.10</p> <p>Stoßboden</p> <p>R ¹⁾ = 1.60 R1 = 12.90 R2 = R3 = r =</p> <p>Pulverkammer</p> <p>E = P1 ¹⁾ = 10.75 P2 * = 10.45</p> <p>Schulterkonus</p> <p>alpha * = 80° S * = 48.58 r1 max = 1.00 r2 = 1.00</p> <p>Hülsenhals</p> <p>H1 * = 7.34 H2 ¹⁾ = 7.33</p> <p>Geschossübergang</p> <p>G1 ¹⁾* = 6.73 G ¹⁾ = 8.35 alpha l = 90° h = 0.30 s * = 3.00 i ¹⁾* = 1°30' w =</p> <p>Lauf</p> <p>F ¹⁾* = 6.45 Z ¹⁾ = 6.70</p> <p>Züge</p> <p>b = 3.50 N = 4 u = 200.00 Q = 34.52 mm²</p>	
Maßstab 1.09:1 Maße in << mm >> Maße und Toleranzen für Messläufe siehe Anhang CR 1.		Bemerkungen: 1) Kontrolle aus Sicherheitsgründen 4) Verschlussabstand an Rand * Grundmaße		

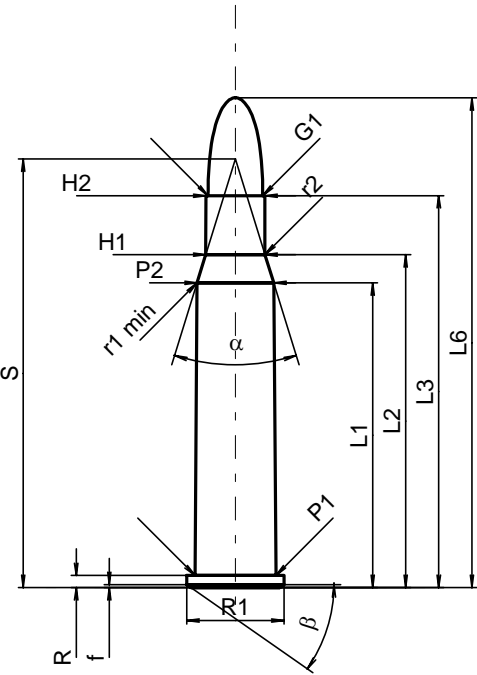
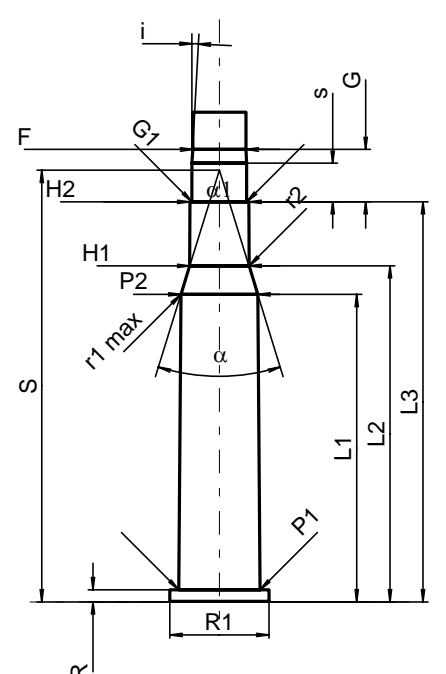
C.I.P.	6,5 x 57 R		TAB.	II
	Ursprungsland: DE		Datum	84-06-14
			Revision	02-05-15
	PATRONE MAXI		PATRONENLAGER MINI	
	<p>Längen</p> <p>L1* = 44.50 L2* = 49.30 L3¹⁾ = 56.70 L4 = L5 = L6 = 82.00</p> <p>Hülsenboden</p> <p>R¹⁾ = 1.40 -0.25 R1 = 13.32 R3 = E = E1 = e min = delta = f = 0.30 beta = 45°</p> <p>Pulverkammer</p> <p>P1 = 11.92 P2* = 10.94</p> <p>Schulterkonus</p> <p>alpha = 37°50'02" S = 60.46 r1 min = 0.50 r2 = 0.50</p> <p>Hülsenhals</p> <p>H1* = 7.65 H2¹⁾ = 7.65</p> <p>Geschoss</p> <p>G1¹⁾ = 6.70 G2 = F = L3+G¹⁾ = 86.70</p> <p>Drücke (Energien)</p> <p>Mech. elektr. Wandler</p> <p>Pmax = 3300 bar PK = 3795 bar PE = 4125 bar M = 25.00 EE = 3055 Joule</p> <p>Verschiedene Daten</p> <p>Fe¹⁾ = 0.15 delta L =</p>		<p>Längen</p> <p>L1* = 44.50 L2* = 49.30 L3¹⁾ = 57.00</p> <p>Stoßboden</p> <p>R¹⁾ = 1.40 R1 = 13.37 R2 = R3 = r =</p> <p>Pulverkammer</p> <p>E = P1¹⁾ = 11.95 P2* = 10.97</p> <p>Schulterkonus</p> <p>alpha = 37°50'02" S = 60.50 r1 max = 0.50 r2 = 0.50</p> <p>Hülsenhals</p> <p>H1* = 7.68 H2¹⁾ = 7.67</p> <p>Geschossübergang</p> <p>G1¹⁾* = 6.75 G¹⁾* = 30.00 alpha1 = 90° h* = 0.46 s = i¹⁾ = 0°17'11" w =</p> <p>Lauf</p> <p>F¹⁾* = 6.45 Z¹⁾ = 6.70</p> <p>Züge</p> <p>b = 3.50 N = 4 u = 200.00 Q = 34.52 mm²</p>	
	<p>Maßstab 1:1.5</p> <p>Maße in << mm >> Maße und Toleranzen für Messläufe siehe Anhang CR 1.</p>			
		<p>Bemerkungen: 1) Kontrolle aus Sicherheitsgründen * Grundmaße</p>		

C.I.P.	6,5 x 58 R		TAB.	II	
	Ursprungsland: DE		Datum	84-06-14	
			Revision	02-05-15	
		PATRONE MAXI		PATRONENLAGER MINI	
		<p>Längen</p> <p>L1 =</p> <p>L2* = 47.50</p> <p>L3¹⁾ = 58.50</p> <p>L4 =</p> <p>L5 =</p> <p>L6 = 78.00</p> <p>Hülsenboden</p> <p>R¹⁾ = 1.15 -0.25</p> <p>R1 = 12.75</p> <p>R3 =</p> <p>E =</p> <p>E1 =</p> <p>e min =</p> <p>delta =</p> <p>f = 0.30</p> <p>beta = 45°</p> <p>Pulverkammer</p> <p>P1 = 11.10</p> <p>P2 =</p> <p>Schulterkonus</p> <p>alpha =</p> <p>S =</p> <p>r1 min =</p> <p>r2 =</p> <p>Hülsenhals</p> <p>H1* = 7.57</p> <p>H2¹⁾ = 7.57</p> <p>Geschoss</p> <p>G1¹⁾ = 6.64</p> <p>G2 =</p> <p>F =</p> <p>L3+G¹⁾ = 88.50</p> <p>Drücke (Energien)</p> <p>Mech. elektr. Wandler</p> <p>Pmax = 2800 bar</p> <p>PK = 3220 bar</p> <p>PE = 3500 bar</p> <p>M = 25.00</p> <p>EE = 2300 Joule</p> <p>Verschiedene Daten</p> <p>Fe¹⁾ = 0.15</p> <p>delta L =</p>		<p>Längen</p> <p>L1 =</p> <p>L2* = 47.50</p> <p>L3¹⁾ = 58.80</p> <p>Stoßboden</p> <p>R¹⁾ = 1.15</p> <p>R1 = 12.80</p> <p>R2 =</p> <p>R3 =</p> <p>r =</p> <p>Pulverkammer</p> <p>E =</p> <p>P1¹⁾ = 11.13</p> <p>P2 =</p> <p>Schulterkonus</p> <p>alpha =</p> <p>S =</p> <p>r1 max =</p> <p>r2 =</p> <p>Hülsenhals</p> <p>H1* = 7.60</p> <p>H2¹⁾ = 7.59</p> <p>Geschossübergang</p> <p>G1^{1)*} = 6.70</p> <p>G^{1)*} = 30.00</p> <p>alpha1 = 180°</p> <p>h =</p> <p>s =</p> <p>i¹⁾ = 0°17'11"</p> <p>w =</p> <p>Lauf</p> <p>F^{1)*} = 6.40</p> <p>Z¹⁾ = 6.64</p> <p>Züge</p> <p>b = 3.50</p> <p>N = 4</p> <p>u = 200.00</p> <p>Q = 33.94 mm²</p>	
		<p>Maßstab 1:1.5</p>			
<p>Maße in << mm >></p> <p>Maße und Toleranzen für Messläufe siehe Anhang CR 1.</p>		<p>Bemerkungen: 1) Kontrolle aus Sicherheitsgründen * Grundmaße</p>			

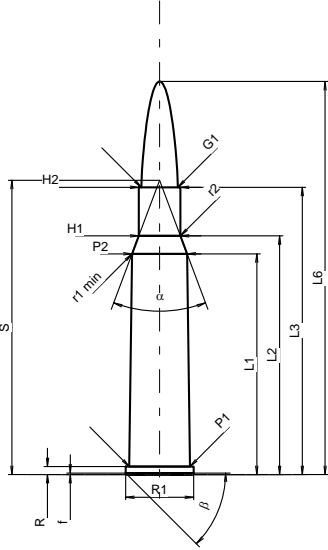
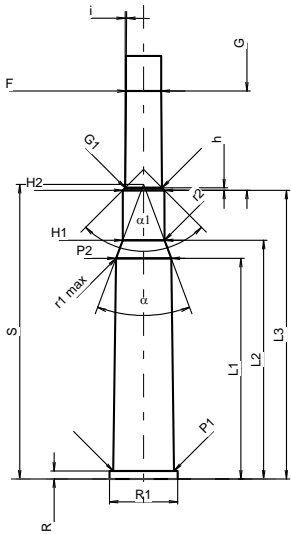
C.I.P.	6,5 x 65 R RWS		TAB. II
	Ursprungsland: DE		Datum 90-04-05
			Revision 02-05-15
	PATRONE MAXI		PATRONENLAGER MINI
	<p>Längen</p> <p>L1* = 53.85 L2* = 58.52 L3¹⁾ = 65.00 L4 = L5 = L6 = 85.00</p> <p>Hülsenboden</p> <p>R¹⁾ = 1.50 -0.25 R1 = 13.50 R3 = E = E1 = e min = delta = f = beta =</p> <p>Pulverkammer</p> <p>P1 = 12.08 P2* = 10.97</p> <p>Schulterkonus</p> <p>alpha = 40° S = 68.92 r1 min = r2 =</p> <p>Hülsenhals</p> <p>H1* = 7.57 H2¹⁾ = 7.57</p> <p>Geschoss</p> <p>G1¹⁾ = 6.70 G2 = F = L3+G¹⁾ = 74.96</p> <p>Drücke (Energien) Mech. elektr. Wandler</p> <p>Pmax = 3800 bar PK = 4170 bar PE = 4750 bar M = 25.00 EE = 3675 Joule</p> <p>Verschiedene Daten</p> <p>Fe¹⁾ = 0.15 delta L =</p>		<p>Längen</p> <p>L1* = 53.86 L2* = 58.49 L3¹⁾ = 65.30</p> <p>Stoßboden</p> <p>R¹⁾ = 1.50 R1 = 13.55 R2 = R3 = r =</p> <p>Pulverkammer</p> <p>E = P1¹⁾ = 12.11 P2* = 11.00</p> <p>Schulterkonus</p> <p>alpha = 40° S = 68.97 r1 max = r2 =</p> <p>Hülsenhals</p> <p>H1* = 7.63 H2¹⁾ = 7.60</p> <p>Geschossübergang</p> <p>G1¹⁾* = 6.71 G¹⁾* = 9.96 alpha1 = 90° h = 0.45 s* = 5.00 i¹⁾ = 1°30' w =</p> <p>Lauf</p> <p>F¹⁾* = 6.45 Z¹⁾ = 6.70</p> <p>Züge</p> <p>b = 3.50 N = 4 u = 200.00 Q = 34.52 mm²</p>
			
Maßstab 1:1			
Maße in << mm >> Maße und Toleranzen für Messläufe siehe Anhang CR 1.	Bemerkungen: 1) Kontrolle aus Sicherheitsgründen * Grundmaße		

C.I.P.	6,5 x 68 R		TAB.	II
	Ursprungsland: DE		Datum	84-06-14
			Revision	02-05-15
	PATRONE MAXI		PATRONENLAGER MINI	
	<p>Längen</p> <p>L1* = 51.78 L2* = 60.53 L3¹⁾ = 67.50 L4 = L5 = L6 = 87.50</p> <p>Hülsenboden</p> <p>R¹⁾ = 1.75 -0.25 R1 = 15.00 R3 = E = E1 = e min = delta = f = 0.30 beta = 45°</p> <p>Pulverkammer</p> <p>P1 = 13.34 P2* = 12.18</p> <p>Schulterkonus</p> <p>alpha = 29°20' S = 75.05 r1 min = 0.50 r2 = 0.50</p> <p>Hülsenhals</p> <p>H1* = 7.60 H2¹⁾ = 7.60</p> <p>Geschoss</p> <p>G1¹⁾ = 6.70 G2 = F = L3+G¹⁾ = 97.50</p> <p>Drücke (Energien) Mech. elektr. Wandler</p> <p>Pmax = 3900 bar PK = 4485 bar PE = 4875 bar M = 25.00 EE = 3810 Joule</p> <p>Verschiedene Daten</p> <p>Fe¹⁾ = 0.10 delta L =</p>		<p>Längen</p> <p>L1* = 51.78 L2* = 60.53 L3¹⁾ = 67.80</p> <p>Stoßboden</p> <p>R¹⁾ = 1.75 R1 = 15.05 R2 = R3 = r =</p> <p>Pulverkammer</p> <p>E = P1¹⁾ = 13.37 P2* = 12.21</p> <p>Schulterkonus</p> <p>alpha = 29°20' S = 75.11 r1 max = 0.50 r2 = 0.50</p> <p>Hülsenhals</p> <p>H1* = 7.63 H2¹⁾ = 7.63</p> <p>Geschossübergang</p> <p>G1¹⁾* = 6.75 G¹⁾* = 30.00 alpha1 = 180° h = s = i¹⁾ = 0°17'11" w =</p> <p>Lauf</p> <p>F¹⁾* = 6.45 Z¹⁾ = 6.70</p> <p>Züge</p> <p>b = 3.50 N = 4 u = 250.00 Q = 34.52 mm²</p>	
				
Maßstab 1:1.5				
Maße in << mm >> Maße und Toleranzen für Messläufe siehe Anhang CR 1.		Bemerkungen: 1) Kontrolle aus Sicherheitsgründen * Grundmaße		

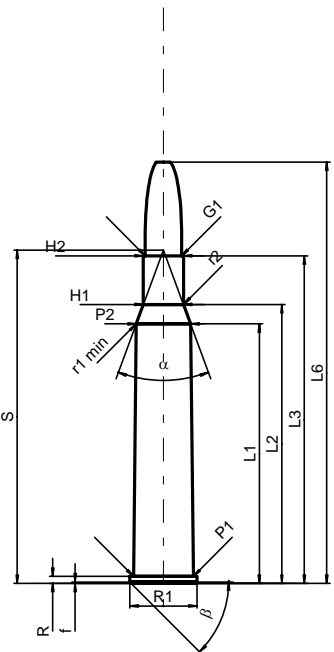
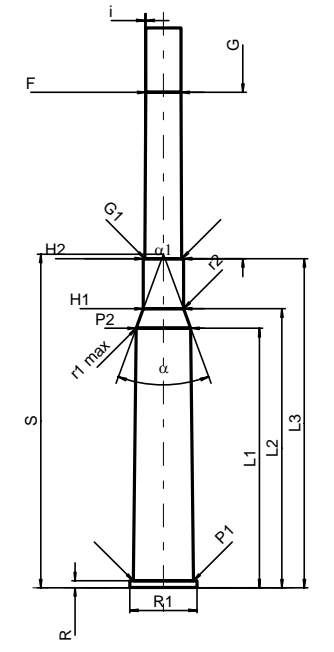
C.I.P.	6,5 x 70 R		TAB.	II
	Ursprungsland: DE/AT		Datum	86-04-11
			Revision	02-05-15
	PATRONE MAXI		PATRONENLAGER MINI	
	<p>Längen</p> <p>L1 =</p> <p>L2* = 60.00</p> <p>L3¹⁾ = 70.00</p> <p>L4 =</p> <p>L5 =</p> <p>L6 = 90.00</p> <p>Hülsenboden</p> <p>R¹⁾ = 1.52 -0.25</p> <p>R1 = 10.70</p> <p>R3 =</p> <p>E =</p> <p>E1 =</p> <p>e min =</p> <p>delta =</p> <p>f = 0.30</p> <p>beta = 45°</p> <p>Pulverkammer</p> <p>P1 = 9.00</p> <p>P2 =</p> <p>Schulterkonus</p> <p>alpha =</p> <p>S =</p> <p>r1 min =</p> <p>r2 =</p> <p>Hülsenhals</p> <p>H1* = 7.52</p> <p>H2¹⁾ = 7.42</p> <p>Geschoss</p> <p>G1¹⁾ = 6.64</p> <p>G2 =</p> <p>F =</p> <p>L3+G¹⁾ = 100.00</p> <p>Drücke (Energien)</p> <p>Mech. elektr. Wandler</p> <p>Pmax = 2800 bar</p> <p>PK = 3220 bar</p> <p>PE = 3500 bar</p> <p>M = 25.00</p> <p>EE = 1730 Joule</p> <p>Verschiedene Daten</p> <p>Fe¹⁾ = 0.15</p> <p>delta L =</p>		<p>Längen</p> <p>L1 =</p> <p>L2* = 60.03</p> <p>L3¹⁾ = 70.30</p> <p>Stoßboden</p> <p>R¹⁾ = 1.52</p> <p>R1 = 10.75</p> <p>R2 =</p> <p>R3 =</p> <p>r =</p> <p>Pulverkammer</p> <p>E =</p> <p>P1¹⁾ = 9.03</p> <p>P2 =</p> <p>Schulterkonus</p> <p>alpha =</p> <p>S =</p> <p>r1 max =</p> <p>r2 =</p> <p>Hülsenhals</p> <p>H1* = 7.57</p> <p>H2¹⁾ = 7.46</p> <p>Geschossübergang</p> <p>G1¹⁾* = 6.70</p> <p>G¹⁾* = 30.00</p> <p>alpha1 = 90°</p> <p>h* = 0.38</p> <p>s =</p> <p>i¹⁾ = 0°17'24"</p> <p>w =</p> <p>Lauf</p> <p>F¹⁾* = 6.40</p> <p>Z¹⁾ = 6.64</p> <p>Züge</p> <p>b = 3.50</p> <p>N = 4</p> <p>u = 200.00</p> <p>Q = 33.94 mm²</p>	
				
<p>Maßstab 1:1.5</p> <p>Maße in << mm >></p> <p>Maße und Toleranzen für Messläufe siehe Anhang CR 1.</p>	<p>Bemerkungen: 1) Kontrolle aus Sicherheitsgründen * Grundmaße</p>			

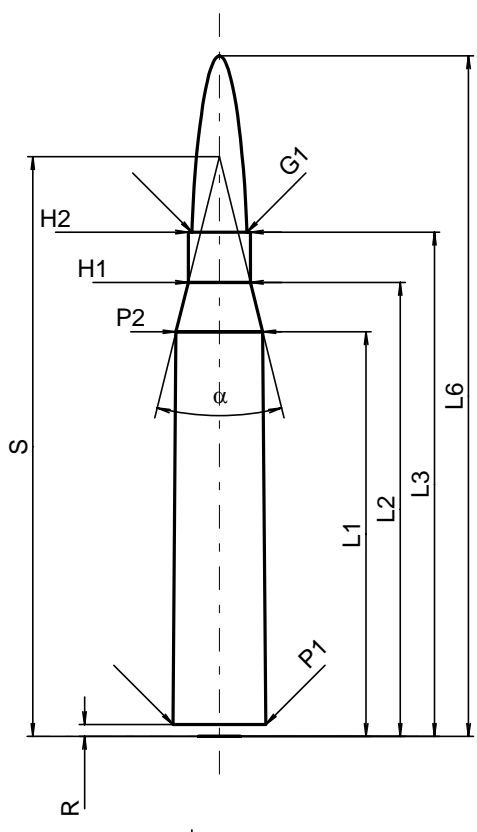
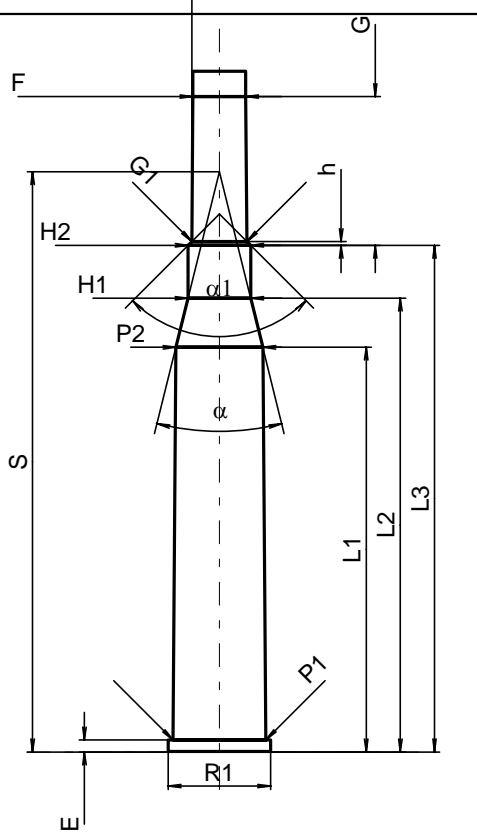
C.I.P.	7-30 Waters		TAB.	II
	Ursprungsland: US		Datum	91-02-19
			Revision	02-05-15
	PATRONE MAXI		PATRONENLAGER MINI	
	<p>Längen</p> <p>L1 = 40.29</p> <p>L2 = 44.02</p> <p>L3 ¹⁾ = 51.82</p> <p>L4 =</p> <p>L5 =</p> <p>L6 = 64.77</p> <p>Hülsenboden</p> <p>R ¹⁾ = 1.60 -0.25</p> <p>R1 = 12.85</p> <p>R3 =</p> <p>E =</p> <p>E1 =</p> <p>e min =</p> <p>delta =</p> <p>f = 0.38</p> <p>beta = 35°</p> <p>Pulverkammer</p> <p>P1 = 10.71</p> <p>P2* = 10.14</p> <p>Schulterkonus</p> <p>alpha* = 34°24'</p> <p>S* = 56.67</p> <p>r1 min = 4.57</p> <p>r2 = 6.35</p> <p>Hülsenhals</p> <p>H1* = 7.83</p> <p>H2 ¹⁾ = 7.78</p> <p>Geschoss</p> <p>G1 ¹⁾ = 7.23</p> <p>G2 =</p> <p>F =</p> <p>L3+G ¹⁾ = 58.73</p> <p>Drücke (Energien)</p> <p>Mech. elektr. Wandler</p> <p>Pmax = 3400 bar</p> <p>PK = 3910 bar</p> <p>PE = 4250 bar</p> <p>M = 25.00</p> <p>EE = 2760 Joule</p> <p>Verschiedene Daten</p> <p>Fe ¹⁾ = 0.15</p> <p>delta L =</p>		<p>Längen</p> <p>L1 = 40.67</p> <p>L2 = 44.45</p> <p>L3 ¹⁾ = 52.92</p> <p>Stoßboden</p> <p>R ¹⁾ = 1.60</p> <p>R1 = 13.11</p> <p>R2 =</p> <p>R3 =</p> <p>r =</p> <p>Pulverkammer</p> <p>E =</p> <p>P1 ¹⁾ = 10.75</p> <p>P2* = 10.18</p> <p>Schulterkonus</p> <p>alpha* = 34°26'</p> <p>S* = 57.11</p> <p>r1 max = 4.32</p> <p>r2 = 6.35</p> <p>Hülsenhals</p> <p>H1* = 7.84</p> <p>H2 ¹⁾ = 7.79</p> <p>Geschossübergang</p> <p>G1 ¹⁾* = 7.23</p> <p>G ¹⁾ = 6.91</p> <p>alpha1* = 180°</p> <p>h =</p> <p>s = 5.10</p> <p>i ¹⁾* = 3°</p> <p>w =</p> <p>Lauf</p> <p>F ¹⁾* = 7.04</p> <p>Z ¹⁾ = 7.21</p> <p>Züge</p> <p>b = 2.79</p> <p>N = 6</p> <p>u = 241.30</p> <p>Q = 40.26 mm²</p>	
				
Maßstab 1:1				
Maße in << mm >> Maße und Toleranzen für Messläufe siehe Anhang CR 1.		Bemerkungen: 1) Kontrolle aus Sicherheitsgründen * Grundmaße		

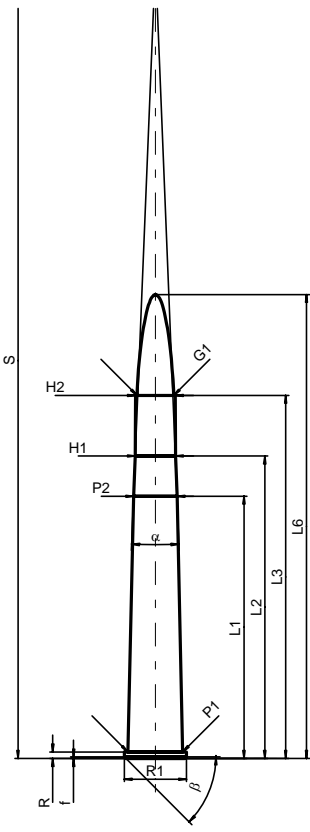
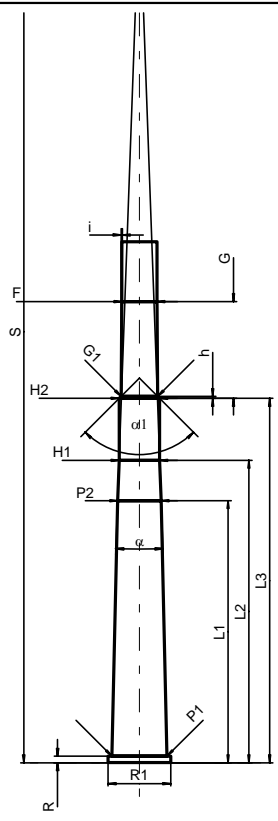
C.I.P.	7 x 50 R		TAB.	II
	Ursprungsland: DE		Datum	92-02-27
			Revision	02-05-15
	PATRONE MAXI		PATRONENLAGER MINI	
	<p>Längen</p> <p>L1* = 41.97 L2* = 42.90 L3¹⁾ = 49.50 L4 = L5 = L6 = 68.00</p> <p>Hülsenboden</p> <p>R¹⁾ = 1.40 -0.25 R1 = 10.90 R3 = E = E1 = e min = delta = f = 0.30 beta = 45°</p> <p>Pulverkammer</p> <p>P1 = 9.59 P2* = 9.40</p> <p>Schulterkonus</p> <p>alpha = 80°20'05" S = 47.54 r1 min = r2 =</p> <p>Hülsenhals</p> <p>H1* = 7.83 H2¹⁾ = 7.82</p> <p>Geschoss</p> <p>G1¹⁾ = 7.25 G2 = F = L3+G¹⁾ = 56.00</p> <p>Drücke (Energien)</p> <p>Mech. elektr. Wandler</p> <p>Pmax = 3650 bar PK = 4198 bar PE = 4560 bar M = 25.00 EE = 2940 Joule</p> <p>Verschiedene Daten</p> <p>Fe¹⁾ = 0.15 delta L =</p>		<p>Längen</p> <p>L1* = 41.98 L2* = 42.92 L3¹⁾ = 49.80</p> <p>Stoßboden</p> <p>R¹⁾ = 1.40 R1 = 10.93 R2 = R3 = r =</p> <p>Pulverkammer</p> <p>E = P1¹⁾ = 9.62 P2* = 9.43</p> <p>Schulterkonus</p> <p>alpha = 79°43'52" S = 47.63 r1 max = r2 =</p> <p>Hülsenhals</p> <p>H1* = 7.86 H2¹⁾ = 7.85</p> <p>Geschossübergang</p> <p>G1¹⁾* = 7.27 G¹⁾* = 6.50 alpha1 = 90° h* = 0.29 s = i¹⁾ = 1°20'15" w =</p> <p>Lauf</p> <p>F¹⁾* = 6.98 Z¹⁾ = 7.24</p> <p>Züge</p> <p>b = 4.10 N = 4 u = 228.00 Q = 40.54 mm²</p>	
Maßstab 1:1 Maße in << mm >> Maße und Toleranzen für Messläufe siehe Anhang CR 1.		Bemerkungen: 1) Kontrolle aus Sicherheitsgründen * Grundmaße		

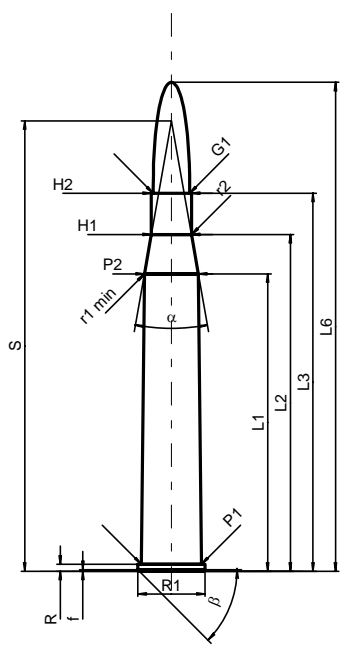
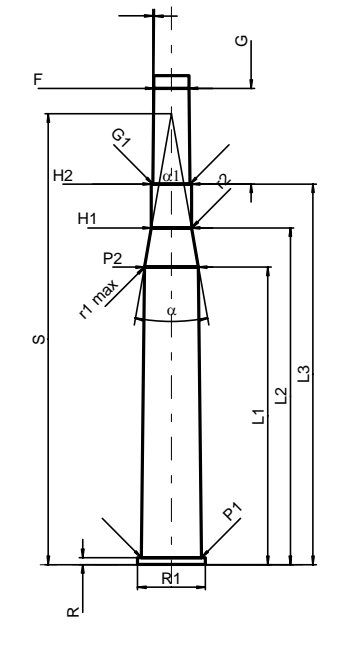
C.I.P.	7 x 57 R		TAB.	II
	Ursprungsland: DE		Datum	84-06-14
			Revision	15-05-19
	PATRONE MAXI		PATRONENLAGER MINI	
	<p>Längen</p> <p>L1 = 43.80 L2 = 47.37 L3 ¹⁾ = 57.00 L4 = L5 = L6 = 78.00</p> <p>Hülsenboden</p> <p>R ¹⁾ = 1.60 -0.25 R1 = 13.50 R3 = E = E1 = e min = delta = f = 0.30 beta = 45°</p> <p>Pulverkammer</p> <p>P1 = 12.05 P2 * = 10.92</p> <p>Schulterkonus</p> <p>alpha * = 41°00'24" S = 58.40 r1 min = 0.50 r2 = 0.50</p> <p>Hülsenhals</p> <p>H1 * = 8.25 H2 ¹⁾ = 8.25</p> <p>Geschoss</p> <p>G1 ¹⁾ = 7.25 G2 = F = L3+G ¹⁾ = 76.69</p> <p>Drücke (Energien)</p> <p>Mech. elektr. Wandler</p> <p>Pmax = 3400 bar PK = 3910 bar PE = 4250 bar M = 25.00 EE = 3390 Joule</p> <p>Verschiedene Daten</p> <p>Fe ¹⁾⁴⁾ = 0.15 delta L =</p>		<p>Längen</p> <p>L1 = 43.80 L2 = 47.37 L3 ¹⁾ = 57.30</p> <p>Stoßboden</p> <p>R ¹⁾ = 1.60 R1 = 13.55 R2 = R3 = r =</p> <p>Pulverkammer</p> <p>E = P1 ¹⁾ = 12.08 P2 * = 10.95</p> <p>Schulterkonus</p> <p>alpha ^{1)*)} = 41°00'25" S = 58.44 r1 max = 0.50 r2 = 0.50</p> <p>Hülsenhals</p> <p>H1 * = 8.28 H2 ¹⁾ = 8.27</p> <p>Geschossübergang</p> <p>G1 ^{1)*)} = 7.30 G ¹⁾ = 19.69 alpha 1 = 90° h * = 0.49 s = i ^{1)*)} = 0°28'38" w =</p> <p>Lauf</p> <p>F ^{1)*)} = 6.98 Z ¹⁾ = 7.24</p> <p>Züge</p> <p>b = 3.70 N = 4 u * = 220.00 Q = 40.29 mm²</p>	
	<p>Maßstab 1:1.5</p>			
<p>Maße in << mm >> Maße und Toleranzen für Messläufe siehe Anhang CR 1.</p>		<p>Bemerkungen: 1) Kontrolle aus Sicherheitsgründen 4) Verschlussabstand an Rand * Grundmaße</p>		

C.I.P.	7mm Mag. Fl. H&H	TAB.	II
		Datum	84-06-14
		Revision	02-05-15
Ursprungsland: GB			
	PATRONE MAXI		PATRONENLAGER MINI
	<p>Längen</p> <p>L1* = 49.53 L2* = 54.61 L3¹⁾ = 63.50 L4 = L5 = L6 = 82.80</p> <p>Hülsenboden</p> <p>R¹⁾ = 1.09 -0.25 R1 = 12.95 R3 = E = E1 = e min = delta = f = beta =</p> <p>Pulverkammer</p> <p>P1 = 11.68 P2* = 10.29</p> <p>Schulterkonus</p> <p>alpha = 24°32' S = 73.19 r1 min = r2 =</p> <p>Hülsenhals</p> <p>H1* = 8.08 H2¹⁾ = 8.08</p> <p>Geschoss</p> <p>G1¹⁾ = 7.21 G2 = F = L3+G¹⁾ = 69.04</p> <p>Drücke (Energien)</p> <p>Mech. elektr. Wandler</p> <p>Pmax = 3300 bar PK = 3795 bar PE = 4125 bar M = 25.00 EE = 3150 Joule</p> <p>Verschiedene Daten</p> <p>Fe¹⁾ = 0.15 delta L =</p>		<p>Längen</p> <p>L1* = 49.56 L2* = 54.64 L3¹⁾ = 63.75</p> <p>Stoßboden</p> <p>R¹⁾ = 1.12 R1 = 13.21 R2 = R3 = r =</p> <p>Pulverkammer</p> <p>E = P1¹⁾ = 11.71 P2* = 10.31</p> <p>Schulterkonus</p> <p>alpha = 24°32' S = 73.27 r1 max = 0.50 r2 = 0.50</p> <p>Hülsenhals</p> <p>H1* = 8.10 H2¹⁾ = 8.10</p> <p>Geschossübergang</p> <p>G1¹⁾* = 7.25 G¹⁾* = 5.54 alpha1 = 180° h = s = i¹⁾ = 1°29'57" w =</p> <p>Lauf</p> <p>F¹⁾* = 6.96 Z¹⁾ = 7.20</p> <p>Züge</p> <p>b = N = u = 220.00 Q = 38.05 mm²</p>
	Maßstab 1:1		
Maße in << mm >> Maße und Toleranzen für Messläufe siehe Anhang CR 1.		Bemerkungen: 1) Kontrolle aus Sicherheitsgründen * Grundmaße	

C.I.P.	7 x 65 R		TAB.	II
	Ursprungsland: DE		Datum	84-06-14
			Revision	02-05-15
	PATRONE MAXI		PATRONENLAGER MINI	
	<p>Längen</p> <p>L1* = 51.50 L2* = 55.36 L3¹⁾ = 65.00 L4 = L5 = L6 = 83.60</p> <p>Hülsenboden</p> <p>R¹⁾ = 1.40 -0.25 R1 = 13.32 R3 = E = E1 = e min = delta = f = 0.30 beta = 45°</p> <p>Pulverkammer</p> <p>P1 = 11.89 P2* = 10.80</p> <p>Schulterkonus</p> <p>alpha = 40°31'32" S = 66.13 r1 min = 0.50 r2 = 0.50</p> <p>Hülsenhals</p> <p>H1* = 7.95 H2¹⁾ = 7.95</p> <p>Geschoss</p> <p>G1¹⁾ = 7.25 G2 = F = L3+G¹⁾ = 98.00</p> <p>Drücke (Energien)</p> <p>Mech. elektr. Wandler</p> <p>Pmax = 3800 bar PK = 4370 bar PE = 4750 bar M = 25.00 EE = 4170 Joule</p> <p>Verschiedene Daten</p> <p>Fe¹⁾ = 0.15 delta L =</p>		<p>Längen</p> <p>L1* = 51.50 L2* = 55.36 L3¹⁾ = 65.30</p> <p>Stoßboden</p> <p>R¹⁾ = 1.40 R1 = 13.37 R2 = R3 = r =</p> <p>Pulverkammer</p> <p>E = P1¹⁾ = 11.92 P2* = 10.83</p> <p>Schulterkonus</p> <p>alpha = 40°31'32" S = 66.17 r1 max = 0.50 r2 = 0.50</p> <p>Hülsenhals</p> <p>H1* = 7.98 H2¹⁾ = 7.97</p> <p>Geschossübergang</p> <p>G1¹⁾* = 7.31 G¹⁾* = 33.00 alpha1 = 180° h = s = i¹⁾ = 0°17'11" w =</p> <p>Lauf</p> <p>F¹⁾* = 6.98 Z¹⁾ = 7.24</p> <p>Züge</p> <p>b = 3.70 N = 4 u = 220.00 Q = 40.29 mm²</p>	
	<p>Maßstab 1:1.5</p> <p>Maße in << mm >> Maße und Toleranzen für Messläufe siehe Anhang CR 1.</p>		<p>Bemerkungen: 1) Kontrolle aus Sicherheitsgründen * Grundmaße</p>	

C.I.P.	7 x 67 R Luyven		TAB.	II
	Ursprungsland: DE		Datum	06-05-16
			Revision	
	PATRONE MAXI		PATRONENLAGER MINI	
	<p>Längen</p> <p>L1 = 53.53 L2 = 60.05 L3¹⁾ = 66.70 L4 = L5 = L6 = 90.00</p> <p>Hülsenboden</p> <p>R¹⁾ = 1.60 -0.25 R1 = R3 = E = E1 = e min = delta = f = beta =</p> <p>Pulverkammer</p> <p>P1 = 12.27 P2* = 11.47</p> <p>Schulterkonus</p> <p>alpha* = 27°49'24" S* = 76.68 r1 min = r2 =</p> <p>Hülsenhals</p> <p>H1* = 8.24 H2¹⁾ = 8.24</p> <p>Geschoss</p> <p>G1^{1)*} = 7.25 G2 = F = L3+G¹⁾ = 86.38</p> <p>Drücke (Energien)</p> <p>Mech. elektr. Wandler</p> <p>Pmax = 3800 bar PK = 4370 bar PE = 4750 bar M = 25.00 EE = 3800 Joule</p> <p>Verschiedene Daten</p> <p>Fe¹⁾ = 0.15 delta L =</p>		<p>Längen</p> <p>L1 = 53.50 L2 = 60.00 L3¹⁾ = 67.00</p> <p>Stoßboden</p> <p>R¹⁾ = 1.60 R1 = 13.55 R2 = R3 = r =</p> <p>Pulverkammer</p> <p>E = 1.60 P1 = 12.30 P2* = 11.50</p> <p>Schulterkonus</p> <p>alpha* = 27°49'24" S* = 76.71 r1 max = r2 =</p> <p>Hülsenhals</p> <p>H1* = 8.28 H2¹⁾ = 8.27</p> <p>Geschossübergang</p> <p>G1^{1)*} = 7.30 G¹⁾ = 19.68 alpha1 = 90° h* = 0.49 s = i* = 0°28'39" w =</p> <p>Lauf</p> <p>F^{1)*} = 6.98 Z¹⁾ = 7.24</p> <p>Züge</p> <p>b = 3.70 N = 4 u = 228.00 Q = 40.29 mm²</p>	
	<p>Maßstab 1:1</p> <p>Maße in << mm >> Maße und Toleranzen für Messläufe siehe Anhang CR 1.</p>			
		<p>Bemerkungen: 1) Kontrolle aus Sicherheitsgründen * Grundmaße</p>		

C.I.P.	7 x 72 R		TAB.	II
	Ursprungsland: DE		Datum	84-06-14
			Revision	02-05-15
	PATRONE MAXI		PATRONENLAGER MINI	
	<p>Längen</p> <p>L1* = 52.00 L2* = 60.00 L3¹⁾ = 72.00 L4 = L5 = L6 = 92.00</p> <p>Hülsenboden</p> <p>R¹⁾ = 1.30 -0.25 R1 = 12.35 R3 = E = E1 = e min = delta = f = 0.30 beta = 45°</p> <p>Pulverkammer</p> <p>P1 = 10.85 P2* = 8.60</p> <p>Schulterkonus</p> <p>alpha = 4°39'10" S = 157.85 r1 min = r2 =</p> <p>Hülsenhals</p> <p>H1* = 7.95 H2¹⁾ = 7.92</p> <p>Geschoss</p> <p>G1¹⁾ = 7.25 G2 = F = L3+G¹⁾ = 91.20</p> <p>Drücke (Energien)</p> <p>Mech. elektr. Wandler</p> <p>Pmax = 2800 bar PK = 3220 bar PE = 3500 bar M = 25.00 EE = 2890 Joule</p> <p>Verschiedene Daten</p> <p>Fe¹⁾ = 0.15 delta L =</p>		<p>Längen</p> <p>L1* = 52.00 L2* = 60.00 L3¹⁾ = 72.30</p> <p>Stoßboden</p> <p>R¹⁾ = 1.30 R1 = 12.40 R2 = R3 = r =</p> <p>Pulverkammer</p> <p>E = P1¹⁾ = 10.88 P2* = 8.63</p> <p>Schulterkonus</p> <p>alpha = 4°09'08" S = 171.03 r1 max = r2 =</p> <p>Hülsenhals</p> <p>H1* = 8.05 H2¹⁾ = 8.04</p> <p>Geschossübergang</p> <p>G1^{1)*} = 7.29 G^{1)*} = 19.20 alpha1 = 90° h* = 0.38 s¹⁾ = i = 0°28'19" w =</p> <p>Lauf</p> <p>F^{1)*} = 6.98 Z¹⁾ = 7.24</p> <p>Züge</p> <p>b = 3.90 N = 4 u = 220.00 Q = 40.41 mm²</p>	
				
Maßstab 1:1.5				
Maße in << mm >> Maße und Toleranzen für Messläufe siehe Anhang CR 1.		Bemerkungen: 1) Kontrolle aus Sicherheitsgründen * Grundmaße		

C.I.P.	7 x 75 R SE.v.H. Ursprungsland: DE	TAB. II
		Datum 84-06-14
		Revision 02-05-15
	PATRONE MAXI	PATRONENLAGER MINI
	<p>Längen</p> <p>L1* = 59.00 L2* = 66.80 L3¹⁾ = 75.00 L4 = L5 = L6 = 97.00</p> <p>Hülsenboden</p> <p>R¹⁾ = 1.40 -0.25 R1 = 13.35 R3 = E = E1 = e min = delta = f = 0.30 beta = 45°</p> <p>Pulverkammer</p> <p>P1 = 11.90 P2* = 10.70</p> <p>Schulterkonus</p> <p>alpha = 19°59'42" S = 89.35 r1 min = 0.50 r2 = 0.50</p> <p>Hülsenhals</p> <p>H1* = 7.95 H2¹⁾ = 7.95</p> <p>Geschoss</p> <p>G1¹⁾ = 7.24 G2 = F = L3+G¹⁾ = 94.00</p> <p>Drücke (Energien)</p> <p>Mech. elektr. Wandler</p> <p>Pmax = 4150 bar PK = 4773 bar PE = 5190 bar M = 25.00 EE = 4830 Joule</p> <p>Verschiedene Daten</p> <p>Fe¹⁾ = 0.10 delta L =</p>	<p>Längen</p> <p>L1* = 59.00 L2* = 66.80 L3¹⁾ = 75.50</p> <p>Stoßboden</p> <p>R¹⁾ = 1.40 R1 = 13.45 R2 = R3 = r =</p> <p>Pulverkammer</p> <p>E = P1¹⁾ = 11.93 P2* = 10.73</p> <p>Schulterkonus</p> <p>alpha = 19°59'42" S = 89.43 r1 max = 0.50 r2 = 0.50</p> <p>Hülsenhals</p> <p>H1* = 7.98 H2¹⁾ = 7.97</p> <p>Geschossübergang</p> <p>G1^{1)*} = 7.36 G^{1)*} = 19.00 alpha1 = 180° h = s = i¹⁾ = 0°34'22" w =</p> <p>Lauf</p> <p>F^{1)*} = 6.98 Z¹⁾ = 7.24</p> <p>Züge</p> <p>b = 3.70 N = 4 u = 240.00 Q = 40.29 mm²</p>
		
Maßstab 1:1.5		
Maße in << mm >> Maße und Toleranzen für Messläufe siehe Anhang CR 1.	Bemerkungen: 1) Kontrolle aus Sicherheitsgründen * Grundmaße	

C.I.P.	7,62 x 53 R		TAB.	II
	Ursprungsland: FI		Datum	84-06-14
			Revision	02-05-15
	PATRONE MAXI		PATRONENLAGER MINI	
	<p>Längen</p> <p>L1* = 39.61 L2* = 44.05 L3¹⁾ = 53.50 L4 = L5 = L6 = 77.00</p> <p>Hülsenboden</p> <p>R¹⁾ = 1.60 -0.25 R1 = 14.40 R3 = E = E1 = e min = delta = f = 0.60 beta = 20°</p> <p>Pulverkammer</p> <p>P1 = 12.42 P2* = 11.61</p> <p>Schulterkonus</p> <p>alpha = 38°01'38" S = 56.46 r1 min = 0.50 r2 = 3.00</p> <p>Hülsenhals</p> <p>H1* = 8.55 H2¹⁾ = 8.50</p> <p>Geschoss</p> <p>G1¹⁾ = 7.85 G2 = F = L3+G¹⁾ = 76.02</p> <p>Drücke (Energien)</p> <p>Mech. elektr. Wandler</p> <p>Pmax = 3900 bar PK = 4485 bar PE = 4875 bar M = 25.00 EE = 3960 Joule</p> <p>Verschiedene Daten</p> <p>Fe¹⁾ = 0.10 delta L =</p>		<p>Längen</p> <p>L1* = 39.70 L2* = 44.30 L3¹⁾ = 54.10</p> <p>Stoßboden</p> <p>R¹⁾ = 1.60 R1 = 14.43 R2 = R3 = r =</p> <p>Pulverkammer</p> <p>E = P1¹⁾ = 12.45 P2* = 11.67</p> <p>Schulterkonus</p> <p>alpha = 36°47'42" S = 57.24 r1 max = 0.70 r2 = 3.00</p> <p>Hülsenhals</p> <p>H1* = 8.61 H2¹⁾ = 8.55</p> <p>Geschossübergang</p> <p>G1¹⁾* = 7.98 G¹⁾* = 22.52 alpha1 = 90° h* = 0.29 s = i¹⁾ = 0°30'09" w =</p> <p>Lauf</p> <p>F¹⁾* = 7.59 Z¹⁾ = 7.83</p> <p>Züge</p> <p>b = 4.20 N = 4 u = 300.00 Q = 47.38 mm²</p>	
Maßstab 1:1				
Maße in << mm >> Maße und Toleranzen für Messläufe siehe Anhang CR 1.		Bemerkungen: 1) Kontrolle aus Sicherheitsgründen * Grundmaße		

C.I.P.	7,62 x 54 R	TAB.	II
		Datum	84-06-14
		Revision	14-05-20
		PATRONE MAXI	
		Längen L1 * = 39.70 L2 * = 44.30 L3 ¹⁾ = 53.72 L4 = L5 = 57.00 L6 = 77.16 Hülsenboden R ¹⁾ = 1.60 -0.25 R1 = 14.48 R3 = E = E1 = e min = delta = f = 0.60 beta = 20° Pulverkammer P1 = 12.37 P2 * = 11.61 Schulterkonus alpha = 37°01'9" S = 57.04 r1 min = 0.50 r2 = 0.50 Hülsenhals H1 * = 8.53 H2 ¹⁾ = 8.53 Geschoss G1 ¹⁾ = 7.92 G2 = F = L3+G ¹⁾ = 74.80 Drücke (Energien) Mech. elektr. Wandler Pmax = 3900 bar PK = 4485 bar PE = 4875 bar M = 25.00 EE = 3960 Joule Verschiedene Daten Fe ¹⁾⁴⁾ = 0.10 delta L =	
		PATRONENLAGER MINI	
		Längen L1 * = 39.73 L2 * = 44.30 L3 ¹⁾ = 53.70 Stoßboden R ¹⁾ = 1.63 R1 = 14.50 R2 = R3 = r = Pulverkammer E = P1 ¹⁾ = 12.48 P2 * = 11.68 Schulterkonus alpha ¹⁾ = 37°07'59" S = 57.12 r1 max = 0.50 r2 = 0.50 Hülsenhals H1 * = 8.61 H2 ¹⁾ = 8.60 Geschossübergang G1 ¹⁾ * = 7.93 G ¹⁾ * = 21.08 alpha 1 = 12°31'48" h * = 3.05 s = i ¹⁾ * = 0°29'33" w = Lauf F ¹⁾ * = 7.62 Z ¹⁾ = 7.92 Züge b = 3.81 N = 4 u = 240.00 Q = 47.99 mm ²	
Maßstab 1:1.09 Maße in << mm >> Maße und Toleranzen für Messläufe siehe Anhang CR 1.		Bemerkungen: 1) Kontrolle aus Sicherheitsgründen 4) Verschlussabstand an Rand * Grundmaße	

C.I.P.	8 x 50 R		TAB.	II
	Ursprungsland: AT		Datum	89-10-06
			Revision	02-05-15
	PATRONE MAXI		PATRONENLAGER MINI	
	<p>Längen</p> <p>L1* = 38.29 L2* = 44.17 L3¹⁾ = 50.20 L4 = L5 = L6 = 76.00</p> <p>Hülsenboden</p> <p>R¹⁾ = 1.40 -0.25 R1 = 14.20 R3 = E = E1 = e min = delta = f = 0.50 beta = 30°</p> <p>Pulverkammer</p> <p>P1 = 12.60 P2* = 12.09</p> <p>Schulterkonus</p> <p>alpha = 29°04'45" S = 61.60 r1 min = 10.00 r2 = 2.00</p> <p>Hülsenhals</p> <p>H1* = 9.04 H2¹⁾ = 8.90</p> <p>Geschoss</p> <p>G1¹⁾ = 8.22 G2 = F = L3+G¹⁾ = 73.15</p> <p>Drücke (Energien)</p> <p>Mech. elektr. Wandler</p> <p>Pmax = 3550 bar PK = 4083 bar PE = 4440 bar M = 25.00 EE = 3000 Joule</p> <p>Verschiedene Daten</p> <p>Fe¹⁾ = 0.15 delta L =</p>		<p>Längen</p> <p>L1* = 40.55 L2* = 43.87 L3¹⁾ = 50.60</p> <p>Stoßboden</p> <p>R¹⁾ = 1.50 R1 = 14.20 R2 = R3 = r =</p> <p>Pulverkammer</p> <p>E = P1¹⁾ = 12.64 P2* = 12.22</p> <p>Schulterkonus</p> <p>alpha = 49°03'25" S = 53.94 r1 max = 10.04 r2 = 2.00</p> <p>Hülsenhals</p> <p>H1* = 9.19 H2¹⁾ = 9.04</p> <p>Geschossübergang</p> <p>G1¹⁾* = 9.04 G¹⁾* = 22.95 alpha1 = 180° h = s = i¹⁾ = 1°21'37" w =</p> <p>Lauf</p> <p>F¹⁾* = 7.95 Z¹⁾ = 8.35</p> <p>Züge</p> <p>b = 3.50 N = 4 u = 250.00 Q = 52.53 mm²</p>	
Maßstab 1:1				
Maße in << mm >> Maße und Toleranzen für Messläufe siehe Anhang CR 1.		Bemerkungen: 1) Kontrolle aus Sicherheitsgründen * Grundmaße		

C.I.P.

8 x 51 R Lebel

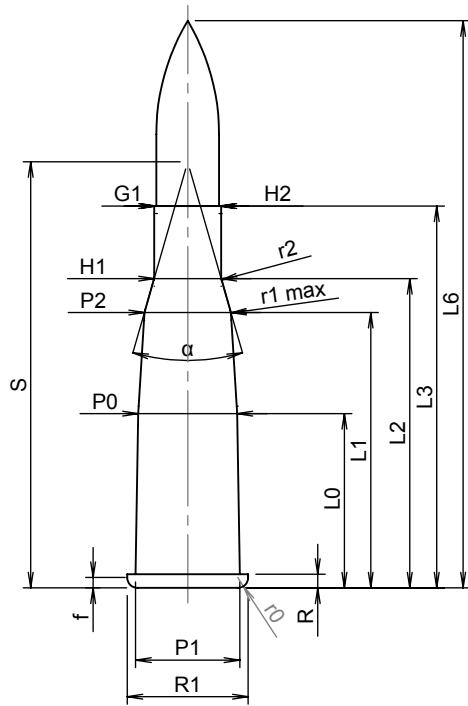
Country of Origin: **FR**

TAB: 32 von 38

Date: 15-05-19

Revision: -

Alternative Names: **8 mm Lebel (M/93)**



CARTRIDGE MAXI

Lengths

- L0 = **23.05**
- L1 = **36.44**
- L2 = **40.92**
- L3 ¹⁾ = **50.50**
- L4 = -
- L5 = -
- L6 = **75.00**

Case Head

- R ¹⁾ = **1.80** **-0.25**
- R1 = **16.00**
- R3 = -
- E = -
- E1 = -
- Ø = -
- f = **1.40**
- β = -
- r0 = **1.40**

Powder Chamber

- P0 = **13.06**
- P1 = **13.77**
- P2* = **11.42**

Junction Cone

- α* = **32.00°**
- S* = **56.35**
- r1 min = **3.00**
- r2 = **1.50**

Collar

- H1* = **8.85**
- H2 ¹⁾ = **8.85**

Projectile

- G1 ¹⁾ = **8.30**
- G2 = -
- F = -
- L3+G1 ¹⁾ = **86.15**

**Pressures(Energies)
Method Transducer**

- Pmax = **3200 bar**
- PK = **3680 bar**
- PE = **4000 bar**
- M = **25.00**
- EE = **3300 Joule**

Miscellaneous Dimensions

- Fe ^{1) 4)} = **0.15**
- delta L = -

CHAMBER MINI

Lengths

- L0 = **23.09**
- L1 = **36.50**
- L2 = **40.95**
- L3 ¹⁾ = **51.00**

Breech

- R ¹⁾ = **1.80**
- R1 = **16.3**
- R2 = -
- R3 = -
- r = -

Powder Chamber

- E = -
- P0 = **13.09**
- P1 ¹⁾ = **13.80**
- P2* = **11.45**

Junction Cone

- α ¹⁾* = **32.00°**
- S* = **56.47**
- r1 max = **3.00**
- r2 = **1.50**

Collar

- H1* = **8.90**
- H2 ¹⁾ = **8.88**

Commencement of Rifling

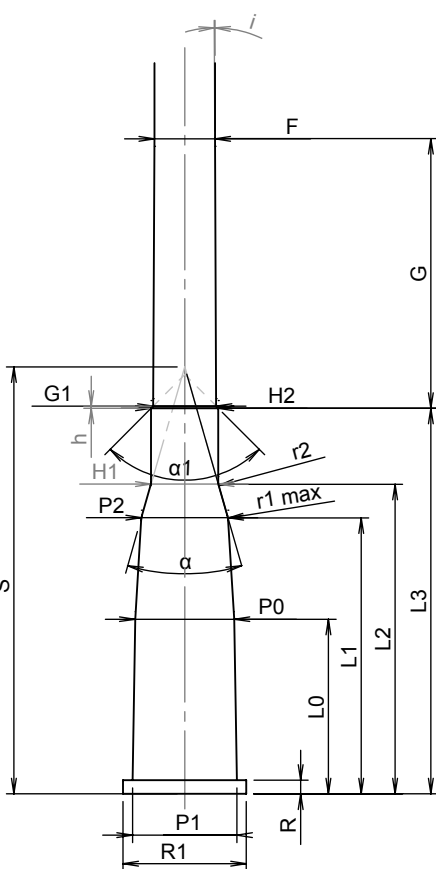
- G1 ¹⁾* = **8.35**
- G ¹⁾ = **35.65**
- α1 = **90.00°**
- h* = **0.27**
- s = -
- i ¹⁾* = **0°17'00"**
- w = -

Barrel

- F ¹⁾* = **8.00**
- Z ¹⁾ = **8.30**

Grooves

- b = **3.45**
- N = **4**
- u = **240**
- Q = **52.40 mm²**



Dimensions in <<mm>>
Dimensions and Tolerances for Proof Barrels
see Appendix CR1.

Notes: 1) Check for safety reason
4) Headspace on Rim
* Basic dimensions

C.I.P.	8 x 56 R M30S		TAB.	II
	Ursprungsland: AT		Datum	88-01-30
			Revision	06-08-02
	PATRONE MAXI		PATRONENLAGER MINI	
	<p>Längen</p> <p>L1* = 37.03 L2* = 49.53 L3¹⁾ = 55.75 L4 = L5 = L6 = 76.50</p> <p>Hülsenboden</p> <p>R¹⁾ = 1.50 -0.25 R1 = 14.20 R3 = E = E1 = e min = delta = f = 0.50 beta = 30°</p> <p>Pulverkammer</p> <p>P1 = 12.55 P2* = 12.15</p> <p>Schulterkonus</p> <p>alpha = 13°54'41" S = 86.82 r1 min = 10.00 r2 = 15.00</p> <p>Hülsenhals</p> <p>H1* = 9.10 H2¹⁾ = 9.10</p> <p>Geschoss</p> <p>G1¹⁾ = 8.40 G2 = F = L3+G¹⁾ = 74.50</p> <p>Drücke (Energien)</p> <p>Mech. elektr. Wandler</p> <p>Pmax = 3550 bar PK = 4083 bar PE = 4440 bar M = 25.00 EE = 3933 Joule</p> <p>Verschiedene Daten</p> <p>Fe¹⁾ = 0.15 delta L =</p>		<p>Längen</p> <p>L1* = 37.08 L2* = 49.53 L3¹⁾ = 55.80</p> <p>Stoßboden</p> <p>R¹⁾ = 1.50 R1 = 14.20 R2 = R3 = r =</p> <p>Pulverkammer</p> <p>E = P1¹⁾ = 12.60 P2* = 12.21</p> <p>Schulterkonus</p> <p>alpha = 13°33'30" S = 88.43 r1 max = 10.00 r2 = 10.00</p> <p>Hülsenhals</p> <p>H1* = 9.25 H2¹⁾ = 9.20</p> <p>Geschossübergang</p> <p>G1¹⁾* = 8.70 G¹⁾* = 18.75 alpha1 = 28°4' h* = 1.00 s = i¹⁾ = 1°12'37" w =</p> <p>Lauf</p> <p>F¹⁾* = 7.95 Z¹⁾ = 8.35</p> <p>Züge</p> <p>b = 3.50 N = 4 u = 250.00 Q = 52.53 mm²</p>	
Maßstab 1:1				
Maße in << mm >> Maße und Toleranzen für Messläufe siehe Anhang CR 1.		Bemerkungen: 1) Kontrolle aus Sicherheitsgründen * Grundmaße		

C.I.P.	8 x 56 R M89 Port.Krop.	TAB.	II
		Datum	84-06-14
		Revision	06-08-02
Ursprungsland: PT			
	PATRONE MAXI	PATRONENLAGER MINI	
	<p>Längen</p> <p>L1 = 38.65 L2 = 44.25 L3 ¹⁾ = 56.00 L4 = L5 = L6 = 81.00</p> <p>Hülsenboden</p> <p>R ¹⁾ = 2.00 -0.25 R1 = 15.90 R3 = E = E1 = e min = delta = f = 1.00 beta = 23°</p> <p>Pulverkammer</p> <p>P1 = 13.85 P2* = 12.00</p> <p>Schulterkonus</p> <p>alpha* = 30° S* = 61.04 r1 min = 10.00 r2 = 15.00</p> <p>Hülsenhals</p> <p>H1* = 9.00 H2 ¹⁾ = 9.00</p> <p>Geschoss</p> <p>G1 ¹⁾ = 8.20 G2 = F = L3+G ¹⁾ = 76.00</p> <p>Drücke (Energien)</p> <p>Mech. elektr. Wandler</p> <p>Pmax = 3400 bar PK = 3910 bar PE = 4250 bar M = 25.00 EE = 2520 Joule</p> <p>Verschiedene Daten</p> <p>Fe ¹⁾ = 0.15 delta L =</p>	<p>Längen</p> <p>L1 = 38.65 L2 = 44.21 L3 ¹⁾ = 56.40</p> <p>Stoßboden</p> <p>R ¹⁾ = 2.00 R1 = 16.00 R2 = R3 = r =</p> <p>Pulverkammer</p> <p>E = P1 ¹⁾ = 13.88 P2* = 12.03</p> <p>Schulterkonus</p> <p>alpha* = 30° S* = 61.10 r1 max = 10.00 r2 = 15.00</p> <p>Hülsenhals</p> <p>H1* = 9.05 H2 ¹⁾ = 9.03</p> <p>Geschossübergang</p> <p>G1 ¹⁾* = 8.25 G ¹⁾ = 20.00 alpha1* = 90° h = 0.39 s = i ¹⁾* = 0°35'04" w =</p> <p>Lauf</p> <p>F ¹⁾* = 7.85 Z ¹⁾ = 8.20</p> <p>Züge</p> <p>b = 4.40 N = 4 u = 250.00 Q = 51.66 mm²</p>	
Maßstab 1:1.5			
Maße in << mm >> Maße und Toleranzen für Messläufe siehe Anhang CR 1.		Bemerkungen: 1) Kontrolle aus Sicherheitsgründen * Grundmaße	

C.I.P.	8 x 57 R 360		TAB.	II
	Ursprungsland: DE		Datum	84-06-14
			Revision	02-05-15
	PATRONE MAXI		PATRONENLAGER MINI	
	<p>Längen</p> <p>L1* = 46.00 L2* = 48.00 L3¹⁾ = 57.00 L4 = L5 = L6 = 77.00</p> <p>Hülsenboden</p> <p>R¹⁾ = 1.35 -0.25 R1 = 12.40 R3 = E = E1 = e min = delta = f = 0.30 beta = 45°</p> <p>Pulverkammer</p> <p>P1 = 11.00 P2* = 9.70</p> <p>Schulterkonus</p> <p>alpha = 25°54'20" S = 67.09 r1 min = 0.50 r2 = 0.50</p> <p>Hülsenhals</p> <p>H1* = 8.78 H2¹⁾ = 8.78</p> <p>Geschoss</p> <p>G1¹⁾ = 8.09 G2 = F = L3+G¹⁾ = 91.00</p> <p>Drücke (Energien) Mech. elektr. Wandler</p> <p>Pmax = 2450 bar PK = 2818 bar PE = 3060 bar M = 25.00 EE = 2170 Joule</p> <p>Verschiedene Daten</p> <p>Fe¹⁾ = 0.15 delta L =</p>		<p>Längen</p> <p>L1* = 46.00 L2* = 48.00 L3¹⁾ = 57.30</p> <p>Stoßboden</p> <p>R¹⁾ = 1.35 R1 = 12.45 R2 = R3 = r =</p> <p>Pulverkammer</p> <p>E = P1¹⁾ = 11.03 P2* = 9.73</p> <p>Schulterkonus</p> <p>alpha = 25°54'20" S = 67.15 r1 max = 0.50 r2 = 0.50</p> <p>Hülsenhals</p> <p>H1* = 8.81 H2¹⁾ = 8.80</p> <p>Geschossübergang</p> <p>G1¹⁾* = 8.14 G¹⁾* = 34.00 alpha1 = 180° h = s = i¹⁾ = 0°17'11" w =</p> <p>Lauf</p> <p>F¹⁾* = 7.80 Z¹⁾ = 8.07</p> <p>Züge</p> <p>b = 4.40 N = 4 u = 240.00 Q = 50.30 mm²</p>	
Maßstab 1:1.5				
Maße in << mm >> Maße und Toleranzen für Messläufe siehe Anhang CR 1.		Bemerkungen: 1) Kontrolle aus Sicherheitsgründen * Grundmaße		

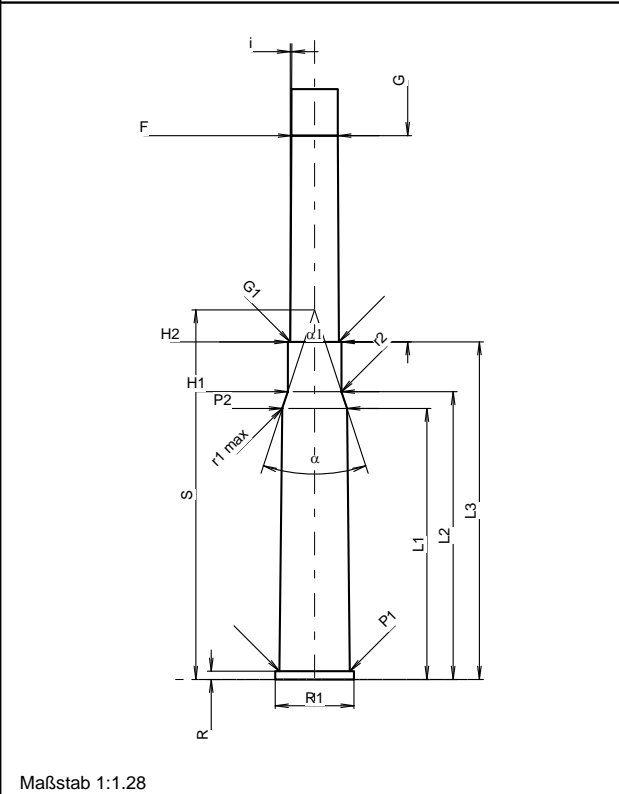
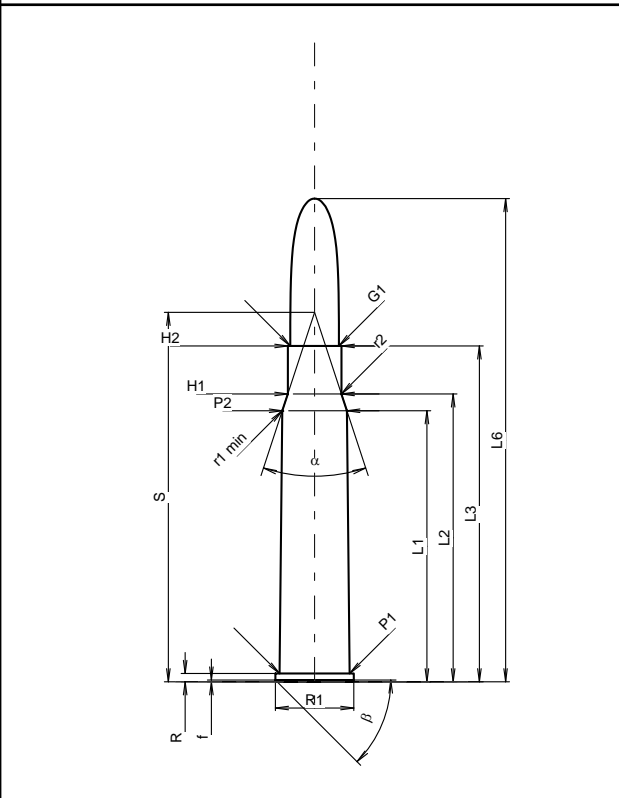
C.I.P.	8 x 57 IR Ursprungsland: DE	TAB.	II
		Datum	84-06-14
		Revision	16-05-18

Alternative Namen: 8 x 57 JR

	PATRONE MAXI	PATRONENLAGER MINI
	<p>Längen</p> <p>L1 * = 46.00 L2 * = 48.99 L3 ¹⁾ = 57.00 L4 = L5 = L6 = 82.00</p> <p>Hülsenboden</p> <p>R ¹⁾ = 1.40 -0.25 R1 = 13.32 R3 = E = E1 = e min = delta = f = 0.30 beta = 45°</p> <p>Pulverkammer</p> <p>P1 = 11.92 P2 * = 10.95</p> <p>Schulterkonus</p> <p>alpha = 36°17'39" S = 62.70 r1 min = 0.50 r2 = 0.50</p> <p>Hülsenhals</p> <p>H1 * = 8.99 H2 ¹⁾ = 8.99</p> <p>Geschoss</p> <p>G1 ¹⁾ = 8.09 G2 = F = L3+G ¹⁾ = 99.00</p> <p>Drücke (Energien)</p> <p>Mech. elektr. Wandler</p> <p>Pmax = 3200 bar PK = 3680 bar PE = 4000 bar M = 25.00 EE = 3315 Joule</p> <p>Verschiedene Daten</p> <p>Fe ¹⁾⁴⁾ = 0.15 delta L =</p>	<p>Längen</p> <p>L1 * = 46.00 L2 * = 49.00 L3 ¹⁾ = 57.30</p> <p>Stoßboden</p> <p>R ¹⁾ = 1.40 R1 = 13.37 R2 = R3 = r =</p> <p>Pulverkammer</p> <p>E = P1 ¹⁾ = 11.95 P2 * = 10.98</p> <p>Schulterkonus</p> <p>alpha = 36°21'12" S = 62.72 r1 max = 0.50 r2 = 0.50</p> <p>Hülsenhals</p> <p>H1 * = 9.01 H2 ¹⁾ = 9.00</p> <p>Geschossübergang</p> <p>G1 ¹⁾* = 8.15 G ¹⁾* = 42.00 alpha1 = 90° h * = 0.43 s = i ¹⁾ = 0°14'28" w =</p> <p>Lauf</p> <p>F ¹⁾* = 7.80 Z ¹⁾ = 8.07</p> <p>Züge</p> <p>b = 4.40 N = 4 u = 240.00 Q = 50.30 mm²</p>
<p>Maßstab 1:1.35</p> <p style="text-align: center;">Maße in << mm >> Maße und Toleranzen für Messläufe siehe Anhang CR 1.</p>	<p>Bemerkungen: 1) Kontrolle aus Sicherheitsgründen 4) Verschlussabstand an Rand * Grundmaße</p>	

C.I.P.	8 x 57 IRS Ursprungsland: DE	TAB.	II
		Datum	84-06-14
		Revision	16-05-18

Alternative Namen: 8 x 57 JRS

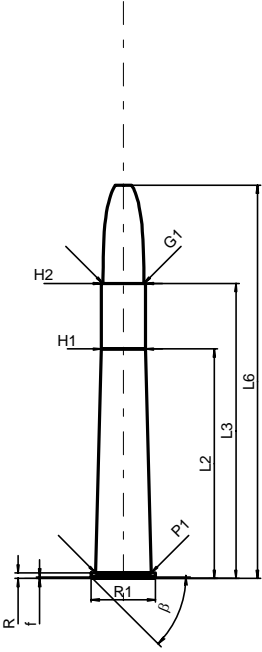
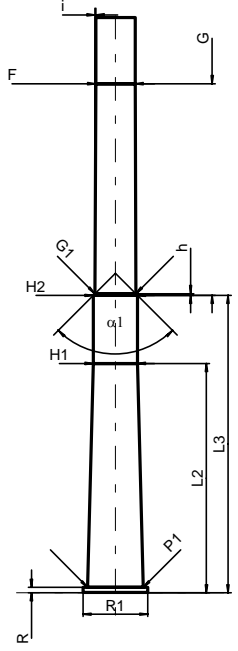


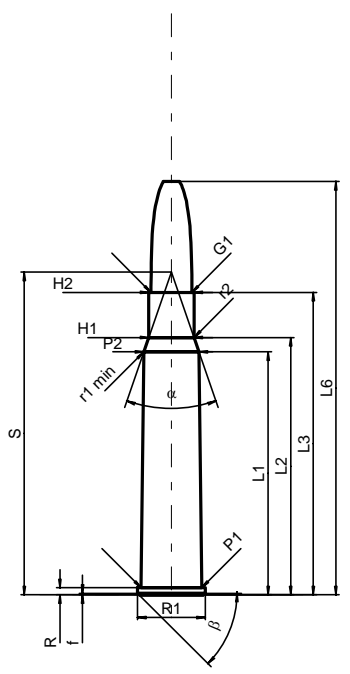
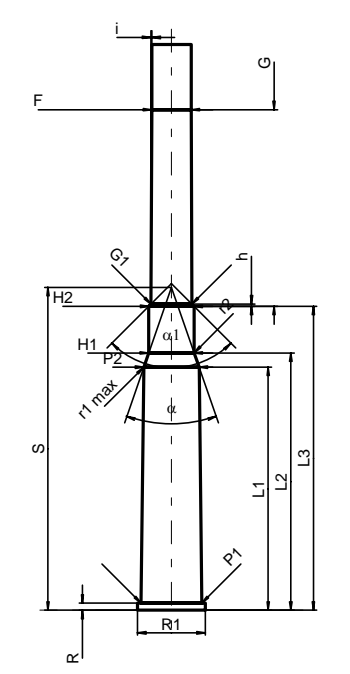
Maßstab 1:1.28

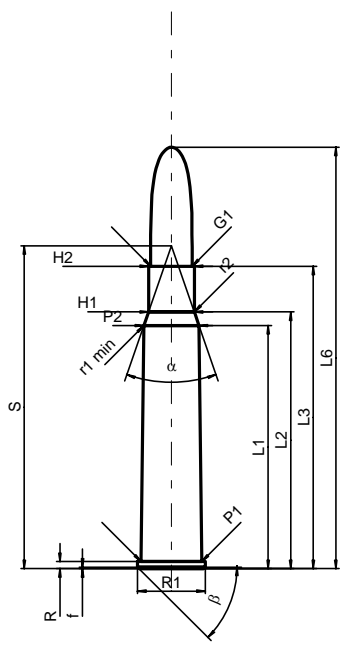
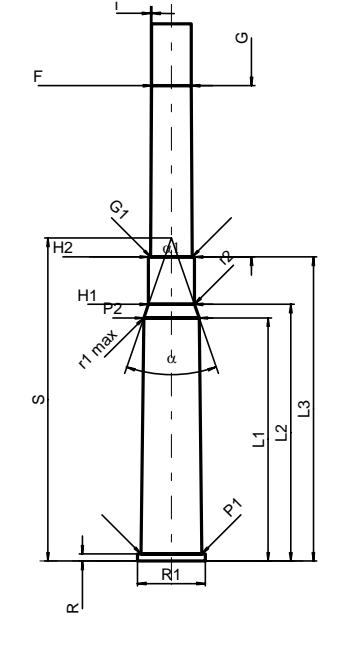
Maße in << mm >>
 Maße und Toleranzen für Messläufe
 siehe Anhang CR 1.

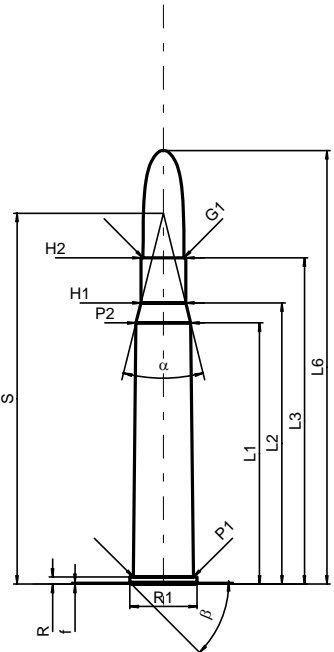
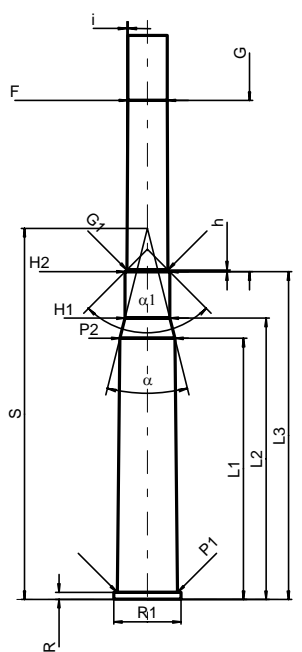
PATRONE MAXI			PATRONENLAGER MINI	
Längen				
L1 *	=	46.00	L1 *	= 46.00
L2 *	=	48.85	L2 *	= 48.85
L3 ¹⁾	=	57.00	L3 ¹⁾	= 57.30
L4	=			
L5	=			
L6	=	82.00		
Hülsenboden				
R ¹⁾	=	1.40	-0.25	R ¹⁾ = 1.40
R1	=	13.32		R1 = 13.37
R3	=			R2 =
E	=			R3 =
E1	=			r =
e min	=			
delta	=			
f	=	0.30		
beta	=	45°		
Pulverkammer				
P1	=	11.92		E =
P2 *	=	10.95		P1 ¹⁾ = 11.95
				P2 * = 10.98
Schulterkonus				
alpha	=	36°19'34"		alpha = 36°19'34"
S	=	62.69		S = 62.73
r1 min	=	0.50		r1 max = 0.50
r2	=	0.50		r2 = 0.50
Hülsenhals				
H1 *	=	9.08		H1 * = 9.11
H2 ¹⁾	=	9.08		H2 ¹⁾ = 9.10
Geschoss				
G1 ¹⁾	=	8.22		G1 ¹⁾ * = 8.24
G2	=			G ¹⁾ * = 35.00
F	=			alpha l = 180°
L3+G ¹⁾	=	92.00		h =
				s =
				i ¹⁾ = 0°17'11"
				w =
Drücke (Energien)				
Mech. elektr. Wandler				
Pmax	=	3300 bar		Lauf
PK	=	3795 bar		F ¹⁾ * = 7.89
PE	=	4125 bar		Z ¹⁾ = 8.20
M	=	25.00		
EE	=	3955 Joule		Züge
				b = 4.40
				N = 4
				u = 240.00
				Q = 51.78 mm ²
Verschiedene Daten				
Fe ¹⁾⁴⁾	=	0.15		
delta L	=			

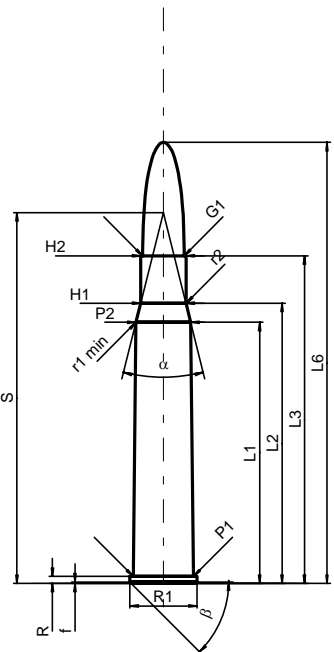
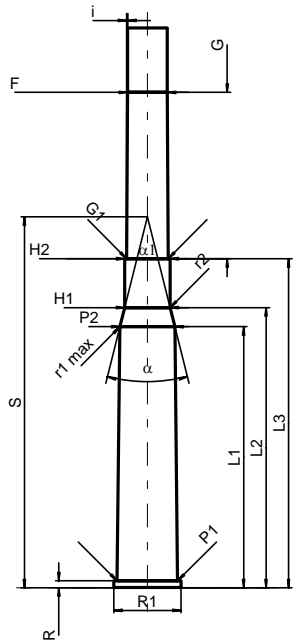
Bemerkungen: 1) Kontrolle aus Sicherheitsgründen
 4) Verschlussabstand an Rand
 * Grundmaße

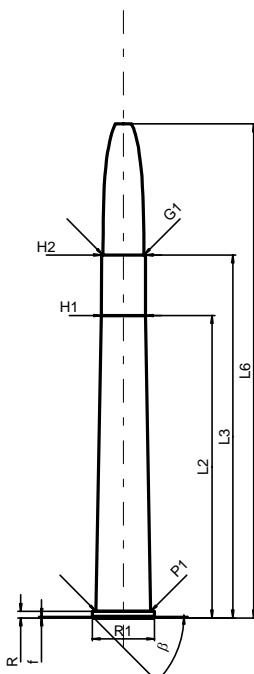
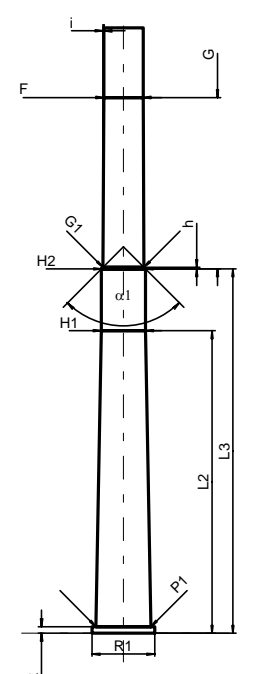
C.I.P.	8 x 58 R		TAB.	II	
	Ursprungsland: DE		Datum	84-06-14	
			Revision	02-05-15	
		PATRONE MAXI		PATRONENLAGER MINI	
		Längen L1 = L2* = 45.50 L3 ¹⁾ = 58.50 L4 = L5 = L6 = 78.00		Längen L1 = L2* = 45.50 L3 ¹⁾ = 59.00	
		Hülsenboden R ¹⁾ = 1.10 -0.25 R1 = 12.75 R3 = E = E1 = e min = delta = 45° f = 0.30 beta = 45°		Stoßboden R ¹⁾ = 1.10 R1 = 12.80 R2 = R3 = r =	
		Pulverkammer P1 = 11.05 P2 =		Pulverkammer E = P1 ¹⁾ = 11.08 P2 =	
		Schulterkonus alpha = S = r1 min = r2 =		Schulterkonus alpha = S = r1 max = r2 =	
		Hülsenhals H1* = 8.78 H2 ¹⁾ = 8.78		Hülsenhals H1* = 8.82 H2 ¹⁾ = 8.81	
		Geschoss G1 ¹⁾ = 8.09 G2 = F = L3+G ¹⁾ = 100.50		Geschossübergang G1 ^{1)*} = 8.15 G ^{1)*} = 42.00 alpha1 = 90° h* = 0.33 s = i ¹⁾ = 0°14'26" w =	
		Drücke (Energien) Mech. elektr. Wandler Pmax = 2200 bar PK = 2530 bar PE = 2750 bar M = 25.00 EE = 2270 Joule		Lauf F ^{1)*} = 7.80 Z ¹⁾ = 8.07	
		Verschiedene Daten Fe ¹⁾ = 0.15 delta L =		Züge b = 4.40 N = 4 u = 240.00 Q = 50.30 mm ²	
Maßstab 1:1.5					
Maße in << mm >> Maße und Toleranzen für Messläufe siehe Anhang CR 1.		Bemerkungen: 1) Kontrolle aus Sicherheitsgründen * Grundmaße			

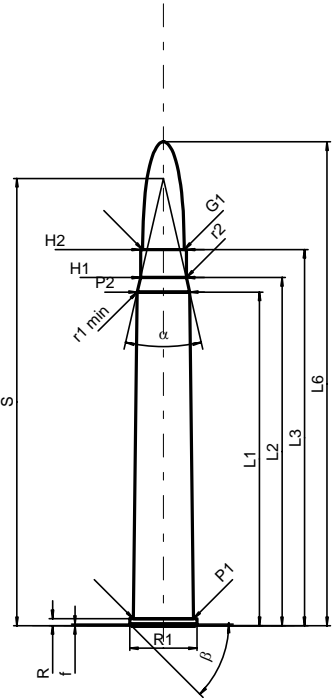
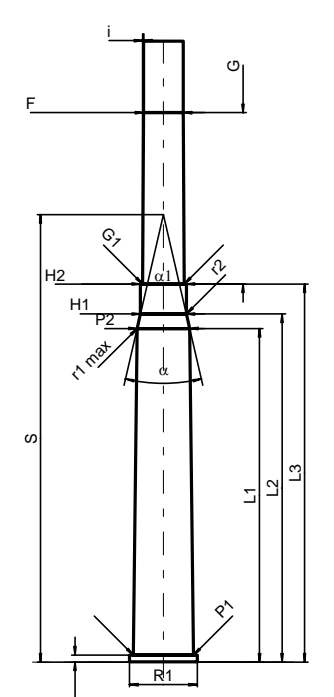
C.I.P.	8 x 60 R		TAB.	II
	Ursprungsland: DE		Datum	84-06-14
			Revision	02-05-15
	PATRONE MAXI		PATRONENLAGER MINI	
	<p>Längen</p> <p>L1* = 48.22 L2* = 51.05 L3¹⁾ = 60.00 L4 = L5 = L6 = 82.00</p> <p>Hülsenboden</p> <p>R¹⁾ = 1.40 -0.25 R1 = 13.40 R3 = E = E1 = e min = delta = f = 0.30 beta = 45°</p> <p>Pulverkammer</p> <p>P1 = 12.03 P2* = 10.95</p> <p>Schulterkonus</p> <p>alpha = 38°12'02" S = 64.03 r1 min = 0.50 r2 = 0.50</p> <p>Hülsenhals</p> <p>H1* = 8.99 H2¹⁾ = 8.99</p> <p>Geschoss</p> <p>G1¹⁾ = 8.09 G2 = F = L3+G¹⁾ = 99.00</p> <p>Drücke (Energien)</p> <p>Mech. elektr. Wandler</p> <p>Pmax = 3400 bar PK = 3910 bar PE = 4250 bar M = 25.00 EE = 3780 Joule</p> <p>Verschiedene Daten</p> <p>Fe¹⁾ = 0.15 delta L =</p>		<p>Längen</p> <p>L1* = 48.22 L2* = 51.05 L3¹⁾ = 60.30</p> <p>Stoßboden</p> <p>R¹⁾ = 1.40 R1 = 13.45 R2 = R3 = r =</p> <p>Pulverkammer</p> <p>E = P1¹⁾ = 12.06 P2* = 10.98</p> <p>Schulterkonus</p> <p>alpha = 38°12'02" S = 64.07 r1 max = 0.50 r2 = 0.50</p> <p>Hülsenhals</p> <p>H1* = 9.02 H2¹⁾ = 9.01</p> <p>Geschossübergang</p> <p>G1¹⁾* = 8.13 G¹⁾* = 39.00 alpha1 = 90° h* = 0.44 s = i¹⁾ = 0°14'42" w =</p> <p>Lauf</p> <p>F¹⁾* = 7.80 Z¹⁾ = 8.07</p> <p>Züge</p> <p>b = 4.40 N = 4 u = 240.00 Q = 50.30 mm²</p>	
	<p>Maßstab 1:1.5</p> <p>Maße in << mm >> Maße und Toleranzen für Messläufe siehe Anhang CR 1.</p>			
		<p>Bemerkungen: 1) Kontrolle aus Sicherheitsgründen * Grundmaße</p>		

C.I.P.	8 x 60 RS		TAB.	II
	Ursprungsland: DE		Datum	84-06-14
			Revision	02-05-15
	PATRONE MAXI		PATRONENLAGER MINI	
	<p>Längen</p> <p>L1* = 48.22 L2* = 50.92 L3¹⁾ = 60.00 L4 = L5 = L6 = 83.60</p> <p>Hülsenboden</p> <p>R¹⁾ = 1.40 -0.25 R1 = 13.40 R3 = E = E1 = e min = delta = f = 0.30 beta = 45°</p> <p>Pulverkammer</p> <p>P1 = 12.03 P2* = 10.95</p> <p>Schulterkonus</p> <p>alpha = 38°12'06" S = 64.03 r1 min = 0.50 r2 = 0.50</p> <p>Hülsenhals</p> <p>H1* = 9.08 H2¹⁾ = 9.08</p> <p>Geschoss</p> <p>G1¹⁾ = 8.22 G2 = F = L3+G¹⁾ = 94.00</p> <p>Drücke (Energien)</p> <p>Mech. elektr. Wandler</p> <p>Pmax = 3400 bar PK = 3910 bar PE = 4250 bar M = 25.00 EE = 4120 Joule</p> <p>Verschiedene Daten</p> <p>Fe¹⁾ = 0.15 delta L =</p>		<p>Längen</p> <p>L1* = 48.22 L2* = 50.92 L3¹⁾ = 60.30</p> <p>Stoßboden</p> <p>R¹⁾ = 1.40 R1 = 13.45 R2 = R3 = r =</p> <p>Pulverkammer</p> <p>E = P1¹⁾ = 12.06 P2* = 10.98</p> <p>Schulterkonus</p> <p>alpha = 38°12'06" S = 64.07 r1 max = 0.50 r2 = 0.50</p> <p>Hülsenhals</p> <p>H1* = 9.11 H2¹⁾ = 9.10</p> <p>Geschossübergang</p> <p>G1¹⁾* = 8.23 G¹⁾* = 34.00 alpha1 = 180° h = s = i¹⁾ = 0°17'11" w =</p> <p>Lauf</p> <p>F¹⁾* = 7.89 Z¹⁾ = 8.20</p> <p>Züge</p> <p>b = 4.40 N = 4 u = 240.00 Q = 51.78 mm²</p>	
				
Maßstab 1:1.5				
Maße in << mm >> Maße und Toleranzen für Messläufe siehe Anhang CR 1.		Bemerkungen: 1) Kontrolle aus Sicherheitsgründen * Grundmaße		

C.I.P.	8 x 65 R		TAB.	II
	Ursprungsland: DE		Datum	84-06-14
			Revision	02-05-15
	PATRONE MAXI		PATRONENLAGER MINI	
	<p>Längen</p> <p>L1* = 51.80 L2* = 55.79 L3¹⁾ = 64.70 L4 = L5 = L6 = 86.00</p> <p>Hülsenboden</p> <p>R¹⁾ = 1.40 -0.25 R1 = 13.32 R3 = E = E1 = e min = delta = f = 0.30 beta = 45°</p> <p>Pulverkammer</p> <p>P1 = 11.95 P2* = 10.85</p> <p>Schulterkonus</p> <p>alpha = 28°00'18" S = 73.55 r1 min = r2 =</p> <p>Hülsenhals</p> <p>H1* = 8.86 H2¹⁾ = 8.86</p> <p>Geschoss</p> <p>G1¹⁾ = 8.09 G2 = F = L3+G¹⁾ = 98.70</p> <p>Drücke (Energien)</p> <p>Mech. elektr. Wandler</p> <p>Pmax = 3900 bar PK = 4485 bar PE = 4875 bar M = 25.00 EE = 4410 Joule</p> <p>Verschiedene Daten</p> <p>Fe¹⁾ = 0.10 delta L =</p>		<p>Längen</p> <p>L1* = 51.80 L2* = 55.79 L3¹⁾ = 65.00</p> <p>Stoßboden</p> <p>R¹⁾ = 1.40 R1 = 13.37 R2 = R3 = r =</p> <p>Pulverkammer</p> <p>E = P1¹⁾ = 11.98 P2* = 10.88</p> <p>Schulterkonus</p> <p>alpha = 28°00'18" S = 73.61 r1 max = r2 =</p> <p>Hülsenhals</p> <p>H1* = 8.89 H2¹⁾ = 8.88</p> <p>Geschossübergang</p> <p>G1¹⁾* = 8.14 G¹⁾* = 34.00 alpha1 = 90° h* = 0.37 s = i¹⁾ = 0°17'23" w =</p> <p>Lauf</p> <p>F¹⁾* = 7.80 Z¹⁾ = 8.07</p> <p>Züge</p> <p>b = 4.40 N = 4 u = 240.00 Q = 50.30 mm²</p>	
	<p>Maßstab 1:1.5</p> <p>Maße in << mm >> Maße und Toleranzen für Messläufe siehe Anhang CR 1.</p>			
		<p>Bemerkungen: 1) Kontrolle aus Sicherheitsgründen * Grundmaße</p>		

C.I.P.	8 x 65 RS		TAB.	II
	Ursprungsland: DE		Datum	84-06-14
			Revision	02-05-15
	PATRONE MAXI		PATRONENLAGER MINI	
	<p>Längen</p> <p>L1* = 51.80 L2* = 55.59 L3¹⁾ = 65.00 L4 = L5 = L6 = 87.50</p> <p>Hülsenboden</p> <p>R¹⁾ = 1.40 -0.25 R1 = 13.32 R3 = E = E1 = e min = delta = f = 0.30 beta = 45°</p> <p>Pulverkammer</p> <p>P1 = 11.99 P2* = 10.85</p> <p>Schulterkonus</p> <p>alpha = 28° S = 73.56 r1 min = 0.50 r2 = 0.50</p> <p>Hülsenhals</p> <p>H1* = 8.96 H2¹⁾ = 8.96</p> <p>Geschoss</p> <p>G1¹⁾ = 8.22 G2 = F = L3+G¹⁾ = 98.00</p> <p>Drücke (Energien)</p> <p>Mech. elektr. Wandler</p> <p>Pmax = 4050 bar PK = 4658 bar PE = 5060 bar M = 25.00 EE = 4620 Joule</p> <p>Verschiedene Daten</p> <p>Fe¹⁾ = 0.10 delta L =</p>		<p>Längen</p> <p>L1* = 51.80 L2* = 55.59 L3¹⁾ = 65.30</p> <p>Stoßboden</p> <p>R¹⁾ = 1.40 R1 = 13.37 R2 = R3 = r =</p> <p>Pulverkammer</p> <p>E = P1¹⁾ = 12.02 P2* = 10.88</p> <p>Schulterkonus</p> <p>alpha = 28° S = 73.62 r1 max = 0.50 r2 = 0.50</p> <p>Hülsenhals</p> <p>H1* = 8.99 H2¹⁾ = 8.98</p> <p>Geschossübergang</p> <p>G1¹⁾* = 8.22 G¹⁾* = 33.00 alpha1 = 180° h = s = i¹⁾ = 0°17'11" w =</p> <p>Lauf</p> <p>F¹⁾* = 7.89 Z¹⁾ = 8.20</p> <p>Züge</p> <p>b = 4.40 N = 4 u = 240.00 Q = 51.78 mm²</p>	
	<p>Maßstab 1:1.5</p> <p>Maße in << mm >> Maße und Toleranzen für Messläufe siehe Anhang CR 1.</p>			
		<p>Bemerkungen: 1) Kontrolle aus Sicherheitsgründen * Grundmaße</p>		

C.I.P.	8 x 72 R		TAB.	II
	Ursprungsland: DE		Datum	84-06-14
			Revision	02-05-15
	PATRONE MAXI		PATRONENLAGER MINI	
	<p>Längen</p> <p>L1 =</p> <p>L2* = 60.00</p> <p>L3¹⁾ = 72.00</p> <p>L4 =</p> <p>L5 =</p> <p>L6 = 98.00</p> <p>Hülsenboden</p> <p>R¹⁾ = 1.30 -0.25</p> <p>R1 = 12.35</p> <p>R3 =</p> <p>E =</p> <p>E1 =</p> <p>e min =</p> <p>delta =</p> <p>f = 0.30</p> <p>beta = 45°</p> <p>Pulverkammer</p> <p>P1 = 10.85</p> <p>P2 =</p> <p>Schulterkonus</p> <p>alpha =</p> <p>S =</p> <p>r1 min =</p> <p>r2 =</p> <p>Hülsenhals</p> <p>H1* = 8.75</p> <p>H2¹⁾ = 8.72</p> <p>Geschoss</p> <p>G1¹⁾ = 8.09</p> <p>G2 =</p> <p>F =</p> <p>L3+G¹⁾ = 106.00</p> <p>Drücke (Energien)</p> <p>Mech. elektr. Wandler</p> <p>Pmax = 2800 bar</p> <p>PK = 3220 bar</p> <p>PE = 3500 bar</p> <p>M = 25.00</p> <p>EE = 2565 Joule</p> <p>Verschiedene Daten</p> <p>Fe¹⁾ = 0.15</p> <p>delta L =</p>		<p>Längen</p> <p>L1 =</p> <p>L2* = 60.03</p> <p>L3¹⁾ = 72.30</p> <p>Stoßboden</p> <p>R¹⁾ = 1.30</p> <p>R1 = 12.40</p> <p>R2 =</p> <p>R3 =</p> <p>r =</p> <p>Pulverkammer</p> <p>E =</p> <p>P1¹⁾ = 10.88</p> <p>P2 =</p> <p>Schulterkonus</p> <p>alpha =</p> <p>S =</p> <p>r1 max =</p> <p>r2 =</p> <p>Hülsenhals</p> <p>H1* = 8.80</p> <p>H2¹⁾ = 8.76</p> <p>Geschossübergang</p> <p>G1¹⁾* = 8.14</p> <p>G¹⁾* = 34.00</p> <p>alpha1 = 90°</p> <p>h* = 0.31</p> <p>s =</p> <p>i¹⁾ = 0°17'21"</p> <p>w =</p> <p>Lauf</p> <p>F¹⁾* = 7.80</p> <p>Z¹⁾ = 8.07</p> <p>Züge</p> <p>b = 4.40</p> <p>N = 4</p> <p>u = 240.00</p> <p>Q = 50.30 mm²</p>	
	<p>Maßstab 1:1.5</p> <p>Maße in << mm >></p> <p>Maße und Toleranzen für Messläufe siehe Anhang CR 1.</p>			
		<p>Bemerkungen: 1) Kontrolle aus Sicherheitsgründen * Grundmaße</p>		

C.I.P.	8 x 75 RS		TAB.	II
	Ursprungsland: DE		Datum	84-06-14
			Revision	02-05-15
	PATRONE MAXI		PATRONENLAGER MINI	
	Längen L1* = 66.20 L2* = 69.06 L3 ¹⁾ = 74.60 L4 = L5 = L6 = 96.00 Hülsenboden R ¹⁾ = 1.40 -0.25 R1 = 13.35 R3 = E = E1 = e min = delta = f = 0.30 beta = 45° Pulverkammer P1 = 11.90 P2* = 10.40 Schulterkonus alpha = 26° S = 88.72 r1 min = 0.50 r2 = 0.50 Hülsenhals H1* = 9.08 H2 ¹⁾ = 9.08 Geschoss G1 ¹⁾ = 8.22 G2 = F = L3+G ¹⁾ = 108.60 Drücke (Energien) Mech. elektr. Wandler Pmax = 3800 bar PK = 4370 bar PE = 4750 bar M = 25.00 EE = 4790 Joule Verschiedene Daten Fe ¹⁾ = 0.15 delta L =		Längen L1* = 66.20 L2* = 69.06 L3 ¹⁾ = 75.00 Stoßboden R ¹⁾ = 1.40 R1 = 13.40 R2 = R3 = r = Pulverkammer E = P1 ¹⁾ = 11.93 P2* = 10.43 Schulterkonus alpha = 26° S = 88.79 r1 max = 0.50 r2 = 0.50 Hülsenhals H1* = 9.11 H2 ¹⁾ = 9.10 Geschossübergang G1 ¹⁾ * = 8.23 G ¹⁾ * = 34.00 alpha1 = 180° h = s = i ¹⁾ = 0°17'11" w = Lauf F ¹⁾ * = 7.89 Z ¹⁾ = 8.20 Züge b = 4.40 N = 4 u = 240.00 Q = 51.78 mm ²	
				
Maßstab 1:1.5 Maße in << mm >> Maße und Toleranzen für Messläufe siehe Anhang CR 1.		Bemerkungen: 1) Kontrolle aus Sicherheitsgründen * Grundmaße		

C.I.P.	8 mm - 348 Win.	TAB.	II
		Datum	99-03-16
		Revision	02-05-15
Ursprungsland: FR			
	PATRONE MAXI	PATRONENLAGER MINI	
	<p>Längen</p> <p>L1* = 41.91 L2* = 46.88 L3¹⁾ = 57.28 L4 = L5 = L6 = 82.00</p> <p>Hülsenboden</p> <p>R¹⁾ = 1.78 -0.25 R1 = 15.49 R3 = E = E1 = e min = delta = f = 0.38 beta = 35°</p> <p>Pulverkammer</p> <p>P1 = 14.05 P2* = 12.32</p> <p>Schulterkonus</p> <p>alpha = 38°10'45" S = 59.71 r1 min = 0.76 r2 = 2.54</p> <p>Hülsenhals</p> <p>H1* = 8.88 H2¹⁾ = 8.85</p> <p>Geschoss</p> <p>G1¹⁾ = 8.22 G2 = F = L3+G¹⁾ = 66.77</p> <p>Drücke (Energien)</p> <p>Mech. elektr. Wandler</p> <p>Pmax = 3000 bar PK = 3450 bar PE = 3750 bar M = 25.00 EE = 2600 Joule</p> <p>Verschiedene Daten</p> <p>Fe¹⁾ = 0.15 delta L =</p>	<p>Längen</p> <p>L1* = 42.17 L2* = 47.12 L3¹⁾ = 57.53</p> <p>Stoßboden</p> <p>R¹⁾ = 1.78 R1 = 15.75 R2 = R3 = r =</p> <p>Pulverkammer</p> <p>E = P1¹⁾ = 14.07 P2* = 12.34</p> <p>Schulterkonus</p> <p>alpha = 38°19'20" S = 59.93 r1 max = 0.76 r2 = 2.54</p> <p>Hülsenhals</p> <p>H1* = 8.90 H2¹⁾ = 8.87</p> <p>Geschossübergang</p> <p>G1¹⁾* = 8.23 G¹⁾* = 9.49 alpha1 = 90° h = 0.32 s* = 3.00 i¹⁾ = 1°30'02" w =</p> <p>Lauf</p> <p>F¹⁾* = 7.89 Z¹⁾ = 8.20</p> <p>Züge</p> <p>b = 4.05 N = 4 u = 240.00 Q = 51.52 mm²</p>	
Maßstab 1:1.5			
Maße in << mm >> Maße und Toleranzen für Messläufe siehe Anhang CR 1.		Bemerkungen: 1) Kontrolle aus Sicherheitsgründen * Grundmaße	

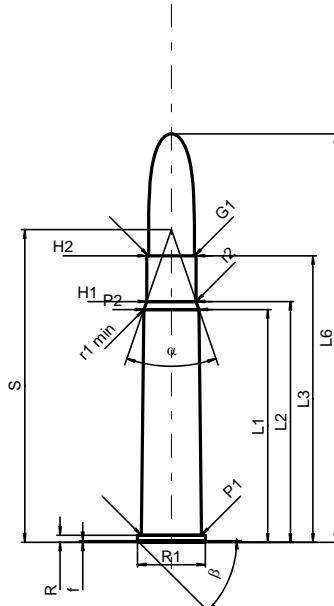
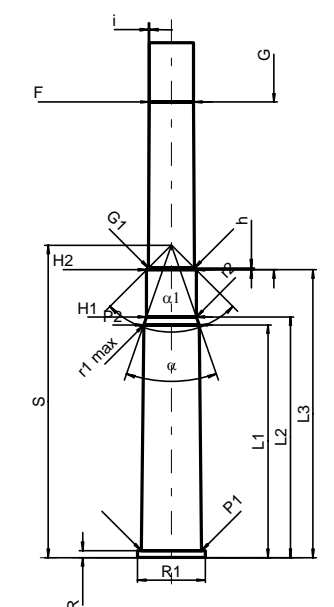
C.I.P.	8,15 x 46 R		TAB.	II
	Ursprungsland: DE		Datum	84-06-14
			Revision	02-05-15
	PATRONE MAXI		PATRONENLAGER MINI	
	<p>Längen</p> <p>L1* = 30.00 L2* = 40.00 L3¹⁾ = 46.50 L4 = L5 = L6 = 62.30</p> <p>Hülsenboden</p> <p>R¹⁾ = 1.50 -0.25 R1 = 12.35 R3 = E = E1 = e min = delta = f = 0.30 beta = 45°</p> <p>Pulverkammer</p> <p>P1 = 10.75 P2* = 9.90</p> <p>Schulterkonus</p> <p>alpha = 6°07'30" S = 122.52 r1 min = 0.50 r2 = 0.50</p> <p>Hülsenhals</p> <p>H1* = 8.83 H2¹⁾ = 8.83</p> <p>Geschoss</p> <p>G1¹⁾ = 8.38 G2 = F = L3+G¹⁾ = 72.00</p> <p>Drücke (Energien) Mech. elektr. Wandler</p> <p>Pmax = 1650 bar PK = 1898 bar PE = 2060 bar M = 25.00 EE = 1785 Joule</p> <p>Verschiedene Daten</p> <p>Fe¹⁾ = 0.15 delta L =</p>		<p>Längen</p> <p>L1* = 30.00 L2* = 40.00 L3¹⁾ = 46.80</p> <p>Stoßboden</p> <p>R¹⁾ = 1.50 R1 = 12.40 R2 = R3 = r =</p> <p>Pulverkammer</p> <p>E = P1¹⁾ = 10.77 P2* = 9.92</p> <p>Schulterkonus</p> <p>alpha = 6°07'30" S = 122.71 r1 max = 0.50 r2 = 0.50</p> <p>Hülsenhals</p> <p>H1* = 8.85 H2¹⁾ = 8.84</p> <p>Geschossübergang</p> <p>G1¹⁾* = 8.45 G¹⁾* = 25.50 alpha1 = 180° h = s = i¹⁾ = 0°57'17" w =</p> <p>Lauf</p> <p>F¹⁾* = 7.60 Z¹⁾ = 8.03</p> <p>Züge</p> <p>b = 3.00 N = 6 u = 360.00 Q = 49.34 mm²</p>	
Maßstab 1:1.5				
Maße in << mm >> Maße und Toleranzen für Messläufe siehe Anhang CR 1.		Bemerkungen: 1) Kontrolle aus Sicherheitsgründen * Grundmaße		

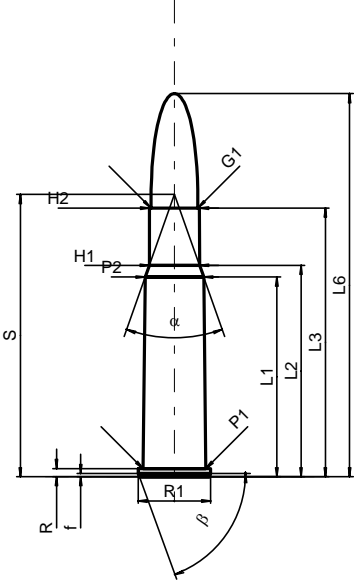
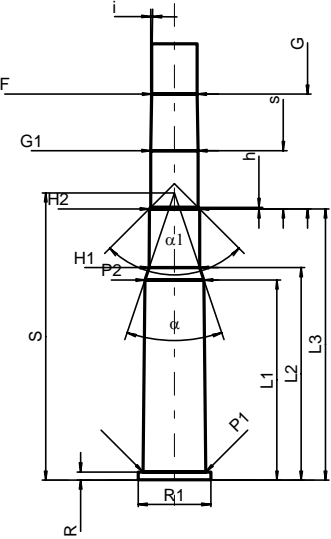
C.I.P.	8,2 x 53 R		TAB.	II
	Ursprungsland: FI		Datum	95-03-09
			Revision	02-05-15
	PATRONE MAXI		PATRONENLAGER MINI	
	<p>Längen</p> <p>L1* = 39.61 L2* = 43.55 L3¹⁾ = 53.30 L4 = L5 = L6 = 76.00</p> <p>Hülsenboden</p> <p>R¹⁾ = 1.60 -0.25 R1 = 14.40 R3 = E = E1 = e min = delta = f = 0.60 beta = 70°</p> <p>Pulverkammer</p> <p>P1 = 12.42 P2* = 11.61</p> <p>Schulterkonus</p> <p>alpha = 37°57'25" S = 56.49 r1 min = r2 =</p> <p>Hülsenhals</p> <p>H1* = 8.90 H2¹⁾ = 8.82</p> <p>Geschoss</p> <p>G1¹⁾ = 8.22 G2 = F = L3+G¹⁾ = 71.82</p> <p>Drücke (Energien)</p> <p>Mech. elektr. Wandler</p> <p>Pmax = 3400 bar PK = 3910 bar PE = 4250 bar M = 25.00 EE = 4040 Joule</p> <p>Verschiedene Daten</p> <p>Fe¹⁾ = 0.15 delta L =</p>		<p>Längen</p> <p>L1* = 39.70 L2* = 43.64 L3¹⁾ = 53.80</p> <p>Stoßboden</p> <p>R¹⁾ = 1.60 R1 = 14.43 R2 = R3 = r =</p> <p>Pulverkammer</p> <p>E = P1¹⁾ = 12.45 P2* = 11.67</p> <p>Schulterkonus</p> <p>alpha = 37°57'25" S = 56.67 r1 max = r2 =</p> <p>Hülsenhals</p> <p>H1* = 8.96 H2¹⁾ = 8.91</p> <p>Geschossübergang</p> <p>G1¹⁾* = 8.27 G¹⁾* = 18.52 alpha1 = 90° h = 0.32 s* = 9.42 i¹⁾ = 0°58'33" w =</p> <p>Lauf</p> <p>F¹⁾* = 7.96 Z¹⁾ = 8.20</p> <p>Züge</p> <p>b = 3.75 N = 4 u = 254.00 Q = 51.64 mm²</p>	
	<p>Maßstab 1:1</p> <p>Maße in << mm >> Maße und Toleranzen für Messläufe siehe Anhang CR 1.</p>		<p>Bemerkungen: 1) Kontrolle aus Sicherheitsgründen * Grundmaße</p>	

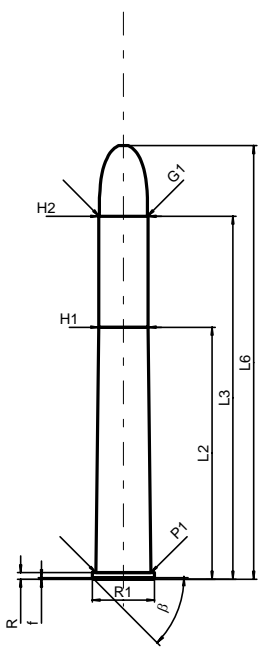
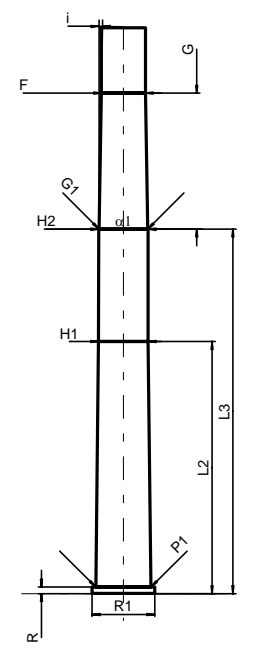
C.I.P.	8,5 x 63 R		TAB.	II
	Ursprungsland: DE		Datum	92-02-27
			Revision	06-01-24
	PATRONE MAXI		PATRONENLAGER MINI	
	<p>Längen</p> <p>L1* = 53.39 L2* = 54.66 L3¹⁾ = 63.00 L4 = L5 = L6 = 84.00</p> <p>Hülsenboden</p> <p>R¹⁾ = 1.40 -0.25 R1 = 13.32 R3 = E = E1 = e min = delta = f = 0.30 beta = 45°</p> <p>Pulverkammer</p> <p>P1 = 11.89 P2* = 11.47</p> <p>Schulterkonus</p> <p>alpha = 80°13'46" S = 60.20 r1 min = r2 =</p> <p>Hülsenhals</p> <p>H1* = 9.33 H2¹⁾ = 9.32</p> <p>Geschoss</p> <p>G1¹⁾ = 8.59 G2 = F = L3+G¹⁾ = 72.00</p> <p>Drücke (Energien)</p> <p>Mech. elektr. Wandler</p> <p>Pmax = 3800 bar PK = 4370 bar PE = 4750 bar M = 25.00 EE = 5145 Joule</p> <p>Verschiedene Daten</p> <p>Fe¹⁾ = 0.15 delta L =</p>		<p>Längen</p> <p>L1* = 53.40 L2* = 54.67 L3¹⁾ = 63.55</p> <p>Stoßboden</p> <p>R¹⁾ = 1.40 R1 = 13.37 R2 = R3 = r =</p> <p>Pulverkammer</p> <p>E = P1¹⁾ = 11.92 P2* = 11.50</p> <p>Schulterkonus</p> <p>alpha = 80°13'46" S = 60.22 r1 max = r2 =</p> <p>Hülsenhals</p> <p>H1* = 9.36 H2¹⁾ = 9.35</p> <p>Geschossübergang</p> <p>G1¹⁾* = 8.61 G¹⁾* = 9.00 alpha1 = 180° h = s* = 5.83 i¹⁾ = 1°53'49" w =</p> <p>Lauf</p> <p>F¹⁾* = 8.38 Z¹⁾ = 8.59</p> <p>Züge</p> <p>b = 2.79 N = 6 u = 254.00 Q = 56.95 mm²</p>	
Maßstab 1:1				
Maße in << mm >> Maße und Toleranzen für Messläufe siehe Anhang CR 1.		Bemerkungen: 1) Kontrolle aus Sicherheitsgründen * Grundmaße		

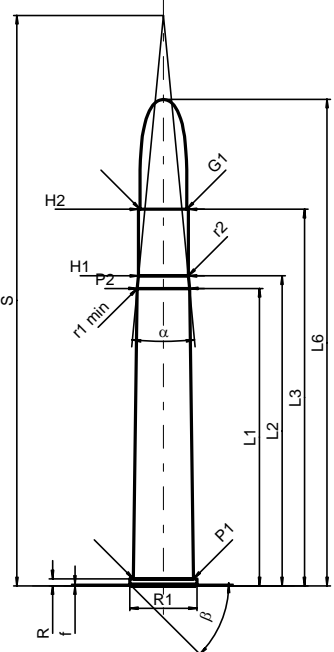
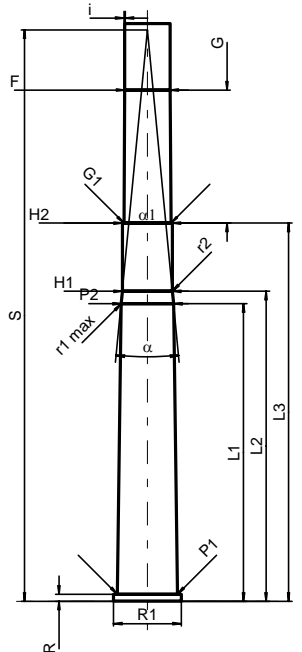
C.I.P.	8,5 x 75 R Scheiring		TAB.	II
			Datum	14-05-20
	Ursprungsland: AT		Revision	
	PATRONE MAXI		PATRONENLAGER MINI	
	<p>Längen</p> <p>L1 = 67.30 L2 = 68.50 L3 ¹⁾ = 74.70 L4 = L5 = L6 = 96.00</p> <p>Hülsenboden</p> <p>R ¹⁾ = 1.40 -0.25 R1 = 13.35 R3 = E = E1 = e min = delta = f = 0.30 beta = 45°</p> <p>Pulverkammer</p> <p>P1 = 11.90 P2 * = 11.43</p> <p>Schulterkonus</p> <p>alpha * = 80° S * = 74.10 r1 min = r2 =</p> <p>Hülsenhals</p> <p>H1 * = 9.41 H2 ¹⁾ = 9.38</p> <p>Geschoss</p> <p>G1 ¹⁾ = 8.61 G2 = F = L3+G ¹⁾ = 83.70</p> <p>Drücke (Energien)</p> <p>Mech. elektr. Wandler</p> <p>Pmax = 3800 bar PK = 4370 bar PE = 4750 bar M = 25.00 EE = 5500 Joule</p> <p>Verschiedene Daten</p> <p>Fe ¹⁾⁴⁾ = 0.15 delta L =</p>		<p>Längen</p> <p>L1 = 67.31 L2 = 68.51 L3 ¹⁾ = 75.00</p> <p>Stoßboden</p> <p>R ¹⁾ = 1.40 R1 = 13.40 R2 = R3 = r =</p> <p>Pulverkammer</p> <p>E = P1 ¹⁾ = 11.93 P2 * = 11.46</p> <p>Schulterkonus</p> <p>alpha * = 80° S * = 74.14 r1 max = r2 =</p> <p>Hülsenhals</p> <p>H1 * = 9.44 H2 ¹⁾ = 9.41</p> <p>Geschossübergang</p> <p>G1 ¹⁾* = 8.61 G ¹⁾ = 9.00 alpha l = 90° h = 0.40 s * = 5.71 i ¹⁾* = 2° w =</p> <p>Lauf</p> <p>F ¹⁾* = 8.38 Z ¹⁾ = 8.59</p> <p>Züge</p> <p>b = 2.79 N = 6 u = 254.00 Q = 56.95 mm²</p>	
<p>Maßstab 1:1.18</p> <p>Maße in << mm >> Maße und Toleranzen für Messläufe siehe Anhang CR1.</p>			<p>Bemerkungen: 1) Kontrolle aus Sicherheitsgründen 4) Verschlussabstand an Rand * Grundmaße</p>	

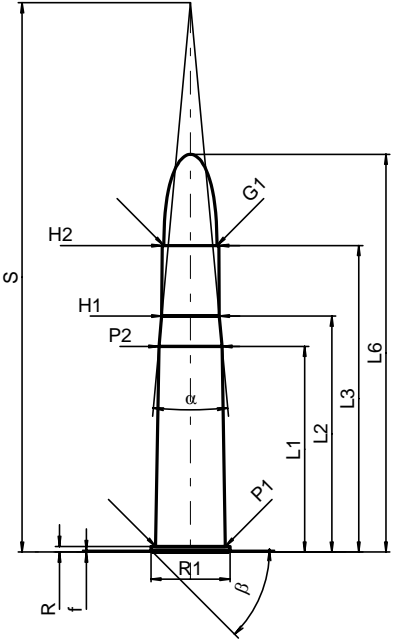
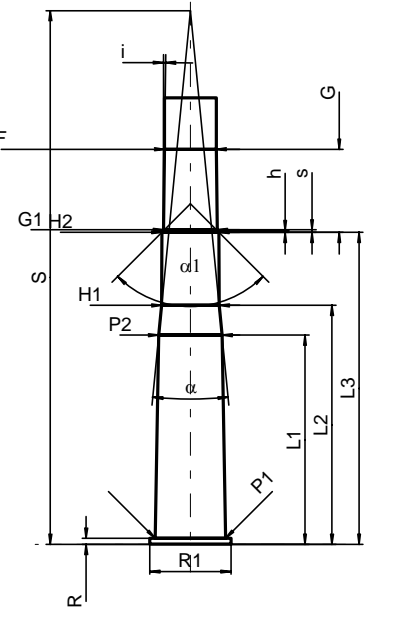
C.I.P.	9 x 53 R		TAB.	II
	Ursprungsland: RU		Datum	99-03-23
			Revision	07-05-14
	PATRONE MAXI		PATRONENLAGER MINI	
	<p>Längen</p> <p>L1 * = 39.68 L2 * = 42.45 L3 ¹⁾ = 53.00 L4 = L5 = L6 = 67.00</p> <p>Hülsenboden</p> <p>R = 1.60 R1 = 14.48 R3 = E = E1 = e min = delta = f = 0.58 beta = 19°40'</p> <p>Pulverkammer</p> <p>P1 = 12.42 P2 * = 11.61</p> <p>Schulterkonus</p> <p>alpha = 35°03'40" S = 58.06 r1 min = r2 =</p> <p>Hülsenhals</p> <p>H1 * = 9.86 H2 ¹⁾ = 9.86</p> <p>Geschoss</p> <p>G1 ¹⁾ = 9.27 G2 = F = L3+G ¹⁾ = 60.70</p> <p>Drücke (Energien)</p> <p>Mech. elektr. Wandler</p> <p>Pmax = 3400 bar PK = 3910 bar PE = 4420 bar M = 25.00 EE = 3800 Joule</p> <p>Verschiedene Daten</p> <p>Fe ¹⁾⁴⁾ = 0.15 delta L =</p>		<p>Längen</p> <p>L1 * = 39.70 L2 * = 42.50 L3 ¹⁾ = 53.30</p> <p>Stoßboden</p> <p>R ¹⁾ = 1.60 R1 = 14.50 R2 = R3 = r =</p> <p>Pulverkammer</p> <p>E = P1 ¹⁾ = 12.51 P2 * = 11.68</p> <p>Schulterkonus</p> <p>alpha ¹⁾ = 33°57'38" S = 56.83 r1 max = r2 =</p> <p>Hülsenhals</p> <p>H1 * = 9.97 H2 ¹⁾ = 9.90</p> <p>Geschossübergang</p> <p>G1 ¹⁾* = 9.33 G ¹⁾* = 7.70 alpha1 = 60° h * = 0.49 s * = 6.20 i ¹⁾ = 6°16'38" w =</p> <p>Lauf</p> <p>F ¹⁾* = 9.00 Z ¹⁾ = 9.25</p> <p>Züge</p> <p>b = 3.00 N = 6 u = 240.00 Q = 65.91 mm²</p>	
<p>Maßstab 1:1</p> <p>Maße in << mm >> Maße und Toleranzen für Messläufe siehe Anhang CR 1.</p>		<p>Bemerkungen: 1) Kontrolle aus Sicherheitsgründen 4) Verschlussabstand an Rand * Grundmaße</p>		

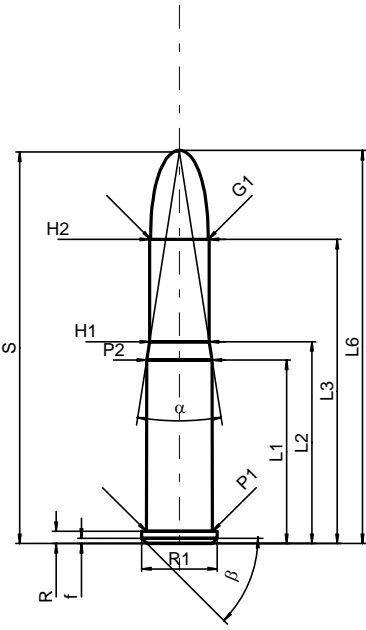
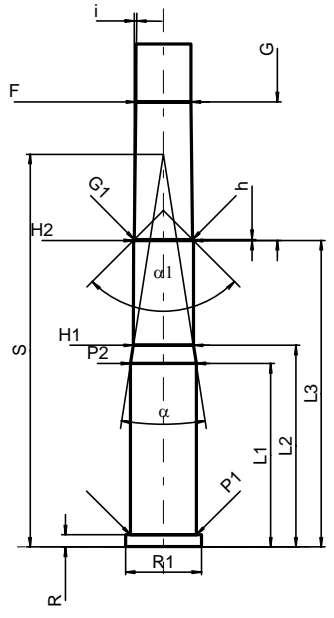
C.I.P.	9 x 57 R		TAB.	II
	Ursprungsland: DE		Datum	84-06-14
			Revision	02-05-15
	PATRONE MAXI		PATRONENLAGER MINI	
	<p>Längen</p> <p>L1* = 46.14 L2* = 47.76 L3¹⁾ = 56.80 L4 = L5 = L6 = 81.00</p> <p>Hülsenboden</p> <p>R¹⁾ = 1.40 -0.25 R1 = 13.40 R3 = E = E1 = e min = delta = f = 0.30 beta = 45°</p> <p>Pulverkammer</p> <p>P1 = 11.96 P2* = 10.95</p> <p>Schulterkonus</p> <p>alpha = 38°08'18" S = 61.98 r1 min = 0.50 r2 = 0.50</p> <p>Hülsenhals</p> <p>H1* = 9.83 H2¹⁾ = 9.83</p> <p>Geschoss</p> <p>G1¹⁾ = 9.08 G2 = F = L3+G¹⁾ = 90.10</p> <p>Drücke (Energien)</p> <p>Mech. elektr. Wandler</p> <p>Pmax = 2800 bar PK = 3220 bar PE = 3500 bar M = 25.00 EE = 3260 Joule</p> <p>Verschiedene Daten</p> <p>Fe¹⁾ = 0.15 delta L =</p>		<p>Längen</p> <p>L1* = 46.16 L2* = 47.74 L3¹⁾ = 57.10</p> <p>Stoßboden</p> <p>R¹⁾ = 1.40 R1 = 13.43 R2 = R3 = r =</p> <p>Pulverkammer</p> <p>E = P1¹⁾ = 12.00 P2* = 10.98</p> <p>Schulterkonus</p> <p>alpha = 38°23'10" S = 61.93 r1 max = 0.50 r2 = 0.50</p> <p>Hülsenhals</p> <p>H1* = 9.88 H2¹⁾ = 9.87</p> <p>Geschossübergang</p> <p>G1¹⁾* = 9.15 G¹⁾* = 33.30 alpha1 = 90° h* = 0.36 s = i¹⁾ = 0°19'18" w =</p> <p>Lauf</p> <p>F¹⁾* = 8.78 Z¹⁾ = 9.06</p> <p>Züge</p> <p>b = 3.20 N = 6 u = 360.00 Q = 63.29 mm²</p>	
	<p>Maßstab 1:1.5</p> <p>Maße in << mm >> Maße und Toleranzen für Messläufe siehe Anhang CR 1.</p>			
		<p>Bemerkungen: 1) Kontrolle aus Sicherheitsgründen * Grundmaße</p>		

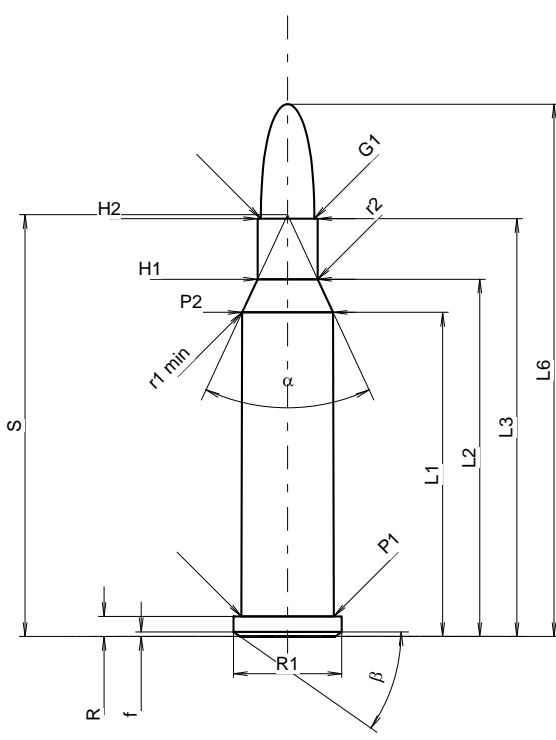
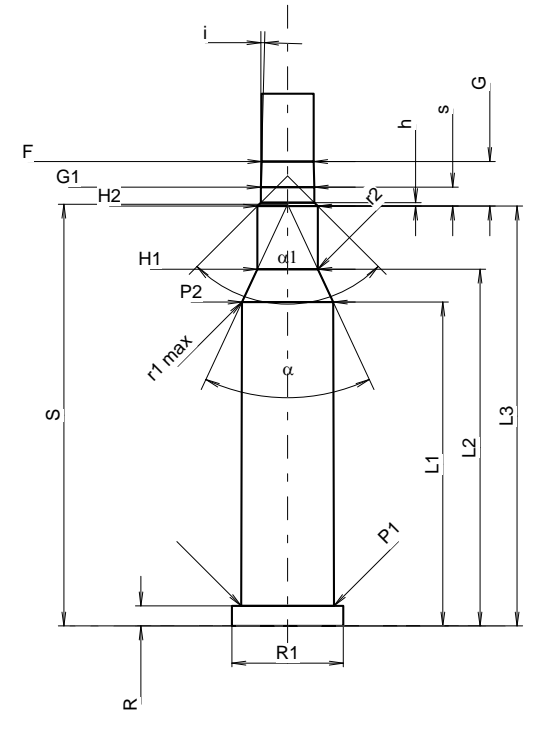
C.I.P.	9,3 x 53 R Finnish Ursprungsland: FI	TAB. II
		Datum 95-03-09
		Revision 02-05-15
	PATRONE MAXI	PATRONENLAGER MINI
	<p>Längen</p> <p>L1* = 39.61 L2* = 41.94 L3¹⁾ = 53.30 L4 = L5 = L6 = 76.00</p> <p>Hülsenboden</p> <p>R¹⁾ = 1.60 -0.25 R1 = 14.40 R3 = E = E1 = e min = delta = f = 0.60 beta = 70°</p> <p>Pulverkammer</p> <p>P1 = 12.42 P2* = 11.61</p> <p>Schulterkonus</p> <p>alpha = 38°59'45" S = 56.00 r1 min = r2 =</p> <p>Hülsenhals</p> <p>H1* = 9.96 H2¹⁾ = 9.90</p> <p>Geschoss</p> <p>G1¹⁾ = 9.30 G2 = F = L3+G¹⁾ = 76.08</p> <p>Drücke (Energien)</p> <p>Mech. elektr. Wandler</p> <p>Pmax = 3400 bar PK = 3910 bar PE = 4250 bar M = 25.00 EE = 4300 Joule</p> <p>Verschiedene Daten</p> <p>Fe¹⁾ = 0.15 delta L =</p>	<p>Längen</p> <p>L1* = 39.70 L2* = 42.14 L3¹⁾ = 53.80</p> <p>Stoßboden</p> <p>R¹⁾ = 1.60 R1 = 14.43 R2 = R3 = r =</p> <p>Pulverkammer</p> <p>E = P1¹⁾ = 12.45 P2* = 11.67</p> <p>Schulterkonus</p> <p>alpha = 37°21'44" S = 56.96 r1 max = r2 =</p> <p>Hülsenhals</p> <p>H1* = 10.02 H2¹⁾ = 9.96</p> <p>Geschossübergang</p> <p>G1¹⁾* = 9.36 G¹⁾* = 22.78 alpha1 = 90° h = 0.30 s* = 11.55 i¹⁾ = 0°47'25" w =</p> <p>Lauf</p> <p>F¹⁾* = 9.05 Z¹⁾ = 9.28</p> <p>Züge</p> <p>b = 3.10 N = 6 u = 380.00 Q = 66.51 mm²</p>
		
Maßstab 1:1.5		
Maße in << mm >> Maße und Toleranzen für Messläufe siehe Anhang CR 1.	Bemerkungen: 1) Kontrolle aus Sicherheitsgründen * Grundmaße	

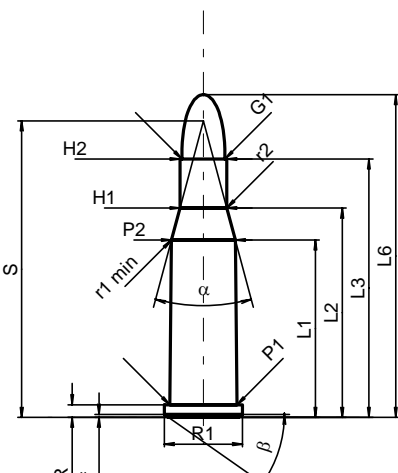
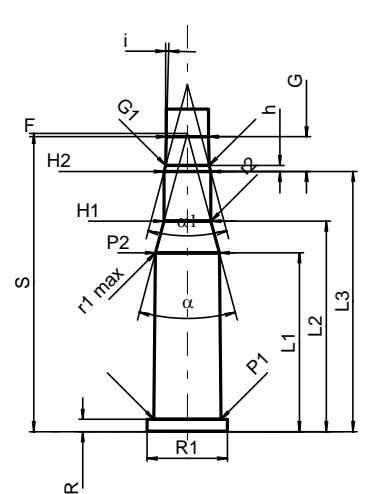
C.I.P.	9,3 x 72 R		TAB.	II
	Ursprungsland: DE		Datum	84-06-14
			Revision	02-05-15
	PATRONE MAXI		PATRONENLAGER MINI	
	<p>Längen</p> <p>L1 =</p> <p>L2* = 50.00</p> <p>L3¹⁾ = 72.00</p> <p>L4 =</p> <p>L5 =</p> <p>L6 = 86.00</p> <p>Hülsenboden</p> <p>R¹⁾ = 1.30 -0.25</p> <p>R1 = 12.35</p> <p>R3 =</p> <p>E =</p> <p>E1 =</p> <p>e min =</p> <p>δ =</p> <p>f = 0.30</p> <p>β = 45°</p> <p>Pulverkammer</p> <p>P1 = 10.91</p> <p>P2 =</p> <p>Schulterkonus</p> <p>α =</p> <p>S =</p> <p>r1 min =</p> <p>r2 =</p> <p>Hülsenhals</p> <p>H1* = 9.82</p> <p>H2¹⁾ = 9.82</p> <p>Geschoss</p> <p>G1¹⁾ = 9.57</p> <p>G2 =</p> <p>F =</p> <p>L3+G¹⁾ = 99.00</p> <p>Drücke (Energien)</p> <p>Mech. elektr. Wandler</p> <p>Pmax = 2000 bar</p> <p>PK = 2300 bar</p> <p>PE = 2500 bar</p> <p>M = 25.00</p> <p>EE = 2325 Joule</p> <p>Verschiedene Daten</p> <p>Fe¹⁾ = 0.15</p> <p>delta L =</p>		<p>Längen</p> <p>L1 =</p> <p>L2* = 50.00</p> <p>L3¹⁾ = 72.30</p> <p>Stoßboden</p> <p>R¹⁾ = 1.30</p> <p>R1 = 12.40</p> <p>R2 =</p> <p>R3 =</p> <p>r =</p> <p>Pulverkammer</p> <p>E =</p> <p>P1¹⁾ = 10.93</p> <p>P2 =</p> <p>Schulterkonus</p> <p>α =</p> <p>S =</p> <p>r1 max =</p> <p>r2 =</p> <p>Hülsenhals</p> <p>H1* = 9.84</p> <p>H2¹⁾ = 9.83</p> <p>Geschossübergang</p> <p>G1¹⁾* = 9.65</p> <p>G¹⁾* = 27.00</p> <p>α1 = 180°</p> <p>h =</p> <p>s =</p> <p>i¹⁾ = 0°57'17"</p> <p>w =</p> <p>Lauf</p> <p>F¹⁾* = 8.75</p> <p>Z¹⁾ = 9.25</p> <p>Züge</p> <p>b = 4.60</p> <p>N = 4</p> <p>u = 420.00</p> <p>Q = 64.96 mm²</p>	
				
<p>Maßstab 1:1.5</p> <p>Maße in << mm >></p> <p>Maße und Toleranzen für Messläufe siehe Anhang CR 1.</p>		<p>Bemerkungen: 1) Kontrolle aus Sicherheitsgründen * Grundmaße</p>		

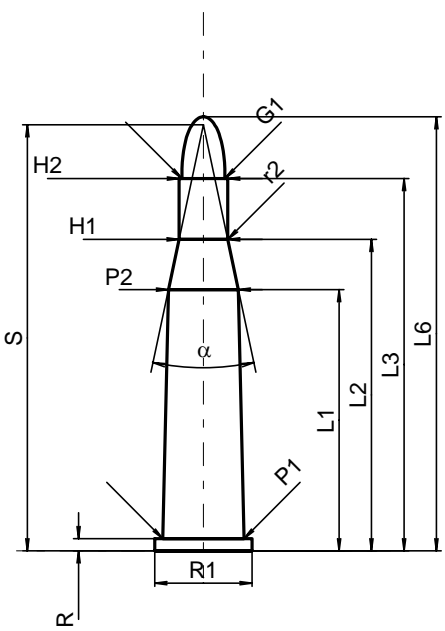
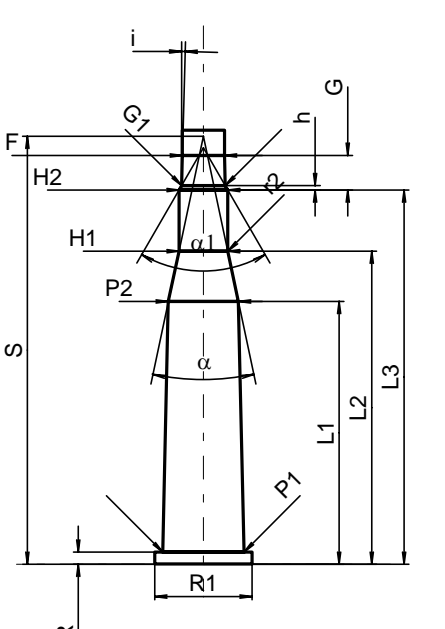
C.I.P.	9,3 x 74 R		TAB.	II
	Ursprungsland: DE		Datum	84-06-14
			Revision	06-05-16
	PATRONE MAXI		PATRONENLAGER MINI	
	<p>Längen</p> <p>L1* = 59.00 L2* = 61.50 L3¹⁾ = 74.70 L4 = L5 = L6 = 96.50</p> <p>Hülsenboden</p> <p>R¹⁾ = 1.40 -0.25 R1 = 13.35 R3 = E = E1 = e min = delta = f = 0.30 beta = 45°</p> <p>Pulverkammer</p> <p>P1 = 11.90 P2* = 10.40</p> <p>Schulterkonus</p> <p>alpha = 10°58' S = 113.17 r1 min = 0.50 r2 = 0.50</p> <p>Hülsenhals</p> <p>H1* = 9.92 H2¹⁾ = 9.92</p> <p>Geschoss</p> <p>G1¹⁾ = 9.30 G2 = F = L3+G¹⁾ = 101.10</p> <p>Drücke (Energien)</p> <p>Mech. elektr. Wandler</p> <p>Pmax = 3400 bar PK = 3910 bar PE = 4250 bar M = 25.00 EE = 5045 Joule</p> <p>Verschiedene Daten</p> <p>Fe¹⁾ = 0.15 delta L =</p>		<p>Längen</p> <p>L1* = 59.00 L2* = 61.50 L3¹⁾ = 75.00</p> <p>Stoßboden</p> <p>R¹⁾ = 1.40 R1 = 13.40 R2 = R3 = r =</p> <p>Pulverkammer</p> <p>E = P1¹⁾ = 11.93 P2* = 10.43</p> <p>Schulterkonus</p> <p>alpha = 10°58' S = 113.33 r1 max = 0.50 r2 = 0.50</p> <p>Hülsenhals</p> <p>H1* = 9.95 H2¹⁾ = 9.94</p> <p>Geschossübergang</p> <p>G1¹⁾* = 9.33 G¹⁾* = 26.40 alpha1 = 180° h = s = i¹⁾ = 0°21'29" w =</p> <p>Lauf</p> <p>F¹⁾* = 9.00 Z¹⁾ = 9.28</p> <p>Züge</p> <p>b = 4.60 N = 4 u = 360.00 Q = 66.32 mm²</p>	
	<p>Maßstab 1:1.5</p> <p>Maße in << mm >> Maße und Toleranzen für Messläufe siehe Anhang CR 1.</p>			
		<p>Bemerkungen: 1) Kontrolle aus Sicherheitsgründen * Grundmaße</p>		

C.I.P.	10,3 x 60 R		TAB.	II
	Ursprungsland: CH		Datum	84-06-14
			Revision	02-05-15
	PATRONE MAXI		PATRONENLAGER MINI	
	<p>Längen</p> <p>L1 = 40.80 L2 = 46.80 L3 ¹⁾ = 60.80 L4 = L5 = L6 = 78.90</p> <p>Hülsenboden</p> <p>R ¹⁾ = 1.10 -0.25 R1 = 15.70 R3 = E = E1 = e min = delta = f = 0.30 beta = 45°</p> <p>Pulverkammer</p> <p>P1 = 13.85 P2 * = 12.50</p> <p>Schulterkonus</p> <p>alpha * = 10°28'30" S * = 108.98 r1 min = r2 =</p> <p>Hülsenhals</p> <p>H1 * = 11.40 H2 ¹⁾ = 11.26</p> <p>Geschoss</p> <p>G1 ¹⁾ = 10.54 G2 = F = L3+G ¹⁾ = 77.30</p> <p>Drücke (Energien)</p> <p>Mech. elektr. Wandler</p> <p>Pmax = 2700 bar PK = 3105 bar PE = 3375 bar M = 25.00 EE = 4620 Joule</p> <p>Verschiedene Daten</p> <p>Fe ¹⁾ = 0.15 delta L =</p>		<p>Längen</p> <p>L1 = 41.50 L2 = 47.40 L3 ¹⁾ = 61.90</p> <p>Stoßboden</p> <p>R ¹⁾ = 1.20 R1 = 16.10 R2 = R3 = r =</p> <p>Pulverkammer</p> <p>E = P1 ¹⁾ = 13.95 P2 * = 12.55</p> <p>Schulterkonus</p> <p>alpha * = 11°8' S * = 105.88 r1 max = r2 =</p> <p>Hülsenhals</p> <p>H1 * = 11.40 H2 ¹⁾ = 11.35</p> <p>Geschossübergang</p> <p>G1 ¹⁾* = 10.65 G ¹⁾ = 16.50 alpha 1 * = 90° h = 0.35 s = 0.50 i ¹⁾* = 0°42'58" w =</p> <p>Lauf</p> <p>F ¹⁾* = 10.25 Z ¹⁾ = 10.49</p> <p>Züge</p> <p>b = 3.60 N = 6 u = 450.00 Q = 85.16 mm²</p>	
				
Maßstab 1:1.5 Maße in << mm >> Maße und Toleranzen für Messläufe siehe Anhang CR 1.		Bemerkungen: 1) Kontrolle aus Sicherheitsgründen * Grundmaße		

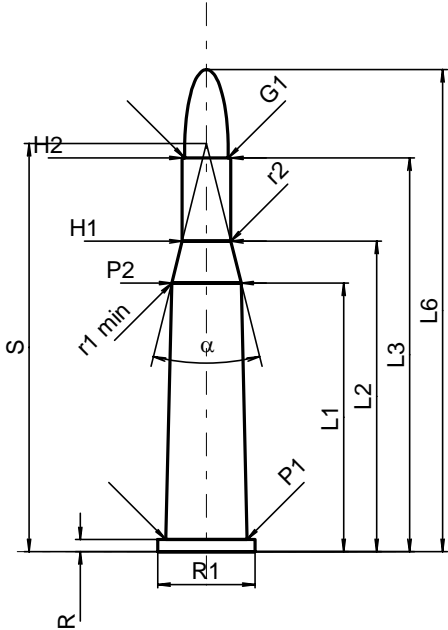
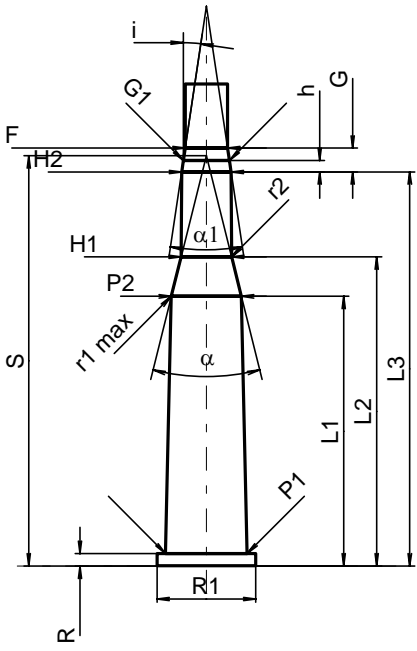
C.I.P.	11,15 x 60 R		TAB.	II
	Ursprungsland: DE		Datum	84-06-14
			Revision	02-05-15
	PATRONE MAXI		PATRONENLAGER MINI	
	<p>Längen</p> <p>L1* = 36.40 L2* = 40.05 L3¹⁾ = 60.35 L4 = L5 = L6 = 78.00</p> <p>Hülsenboden</p> <p>R¹⁾ = 2.40 -0.25 R1 = 15.00 R3 = E = E1 = e min = delta = f = 1.05 beta = 45°</p> <p>Pulverkammer</p> <p>P1 = 13.10 P2* = 13.00</p> <p>Schulterkonus</p> <p>alpha = 17°54'18" S = 77.66 r1 min = r2 =</p> <p>Hülsenhals</p> <p>H1* = 11.85 H2¹⁾ = 11.85</p> <p>Geschoss</p> <p>G1¹⁾ = 11.40 G2 = F = L3+G¹⁾ = 87.85</p> <p>Drücke (Energien)</p> <p>Mech. elektr. Wandler</p> <p>Pmax = 2800 bar PK = 3220 bar PE = 3500 bar M = 25.00 EE = 2730 Joule</p> <p>Verschiedene Daten</p> <p>Fe¹⁾ = 0.15 delta L =</p>		<p>Längen</p> <p>L1* = 36.40 L2* = 40.00 L3¹⁾ = 60.80</p> <p>Stoßboden</p> <p>R¹⁾ = 2.40 R1 = 15.05 R2 = R3 = r =</p> <p>Pulverkammer</p> <p>E = P1¹⁾ = 13.13 P2* = 13.03</p> <p>Schulterkonus</p> <p>alpha = 17°50'20" S = 77.91 r1 max = r2 =</p> <p>Hülsenhals</p> <p>H1* = 11.90 H2¹⁾ = 11.88</p> <p>Geschossübergang</p> <p>G1^{1)*} = 11.50 G^{1)*} = 27.50 alpha1 = 90° h* = 0.19 s = i¹⁾ = 0°34'37" w =</p> <p>Lauf</p> <p>F^{1)*} = 10.95 Z¹⁾ = 11.50</p> <p>Züge</p> <p>b = 5.60 N = 4 u = 550.00 Q = 100.62 mm²</p>	
	<p>Maßstab 1:1.5</p> <p>Maße in << mm >> Maße und Toleranzen für Messläufe siehe Anhang CR 1.</p>			
		<p>Bemerkungen: 1) Kontrolle aus Sicherheitsgründen * Grundmaße</p>		

C.I.P.	17 Hornet		TAB.	II
			Datum	14-05-20
	Ursprungsland: US		Revision	
	PATRONE MAXI		PATRONENLAGER MINI	
	<p>Längen</p> <p>L1 = 26.60 L2 = 29.32 L3 ¹⁾ = 34.29 L4 = L5 = L6 = 43.69</p> <p>Hülsenboden</p> <p>R ¹⁾ = 1.65 -0.25 R1 = 8.89 R3 = E = E1 = e min = delta = f = 0.38 beta = 35°</p> <p>Pulverkammer</p> <p>P1 = 7.59 P2 * = 7.47</p> <p>Schulterkonus</p> <p>alpha * = 50° S * = 34.61 r1 min = 0.64 r2 = 1.91</p> <p>Hülsenhals</p> <p>H1 * = 4.93 H2 ¹⁾ = 4.93</p> <p>Geschoss</p> <p>G1 ¹⁾ = 4.38 G2 = F = L3+G ¹⁾ = 37.95</p> <p>Drücke (Energien)</p> <p>Mech. elektr. Wandler</p> <p>Pmax = 3700 bar PK = 4255 bar PE = 4625 bar M = 17.50 EE = 820 Joule</p> <p>Verschiedene Daten</p> <p>Fe ¹⁾⁴⁾ = 0.15 delta L =</p>		<p>Längen</p> <p>L1 = 26.58 L2 = 29.28 L3 ¹⁾ = 34.46</p> <p>Stoßboden</p> <p>R ¹⁾ = 1.65 R1 = 9.14 R2 = R3 = r =</p> <p>Pulverkammer</p> <p>E = P1 ¹⁾ = 7.62 P2 * = 7.49</p> <p>Schulterkonus</p> <p>alpha * = 50° S * = 34.61 r1 max = 0.64 r2 = 1.91</p> <p>Hülsenhals</p> <p>H1 * = 4.97 H2 ¹⁾ = 4.96</p> <p>Geschossübergang</p> <p>G1 ¹⁾* = 4.38 G ¹⁾ = 3.66 alpha l = 90° h = 0.29 s * = 1.56 i ¹⁾* = 1°30' w =</p> <p>Lauf</p> <p>F ¹⁾* = 4.27 Z ¹⁾ = 4.37</p> <p>Züge</p> <p>b = 1.57 N = 6 u = 228.00 Q = 14.80 mm²</p>	
				
Maßstab 1.61:1 Maße in << mm >> Maße und Toleranzen für Messläufe siehe Anhang CR1.		Bemerkungen: 1) Kontrolle aus Sicherheitsgründen 4) Verschlussabstand an Rand * Grundmaße		

C.I.P.	218 Bee		TAB.	II
	Ursprungsland: US		Datum	84-06-14
			Revision	02-05-15
	PATRONE MAXI		PATRONENLAGER MINI	
	<p>Längen</p> <p>L1 = 23.45 L2 = 27.67 L3 ¹⁾ = 34.16 L4 = L5 = L6 = 42.67</p> <p>Hülsenboden</p> <p>R ¹⁾ = 1.65 -0.25 R1 = 10.36 R3 = E = E1 = e min = delta = f = 0.38 beta = 35°</p> <p>Pulverkammer</p> <p>P1 = 8.87 P2* = 8.44</p> <p>Schulterkonus</p> <p>alpha* = 30° S* = 39.20 r1 min = 1.02 r2 = 4.70</p> <p>Hülsenhals</p> <p>H1* = 6.18 H2 ¹⁾ = 6.15</p> <p>Geschoss</p> <p>G1 ¹⁾ = 5.70 G2 = F = L3+G ¹⁾ = 38.75</p> <p>Drücke (Energien) Mech. elektr. Wandler</p> <p>Pmax = 3200 bar PK = 3680 bar PE = 4000 bar M = 17.50 EE = 1115 Joule</p> <p>Verschiedene Daten</p> <p>Fe ¹⁾ = 0.15 delta L =</p>		<p>Längen</p> <p>L1 = 23.66 L2 = 27.86 L3 ¹⁾ = 34.42</p> <p>Stoßboden</p> <p>R ¹⁾ = 1.65 R1 = 10.62 R2 = R3 = r =</p> <p>Pulverkammer</p> <p>E = P1 ¹⁾ = 8.90 P2* = 8.46</p> <p>Schulterkonus</p> <p>alpha* = 30° S* = 39.45 r1 max = 0.64 r2 = 4.70</p> <p>Hülsenhals</p> <p>H1* = 6.21 H2 ¹⁾ = 6.17</p> <p>Geschossübergang</p> <p>G1 ¹⁾* = 5.76 G ¹⁾ = 4.59 alpha1* = 30° h = 0.77 s = i ¹⁾* = 1°30' w =</p> <p>Lauf</p> <p>F ¹⁾* = 5.56 Z ¹⁾ = 5.69</p> <p>Züge</p> <p>b = 1.88 N = 6 u = 406.00 Q = 25.03 mm²</p>	
				
Maßstab 1:1				
Maße in << mm >> Maße und Toleranzen für Messläufe siehe Anhang CR 1.		Bemerkungen: 1) Kontrolle aus Sicherheitsgründen * Grundmaße		

C.I.P.	219 Zipper		TAB.	II
	Ursprungsland: US		Datum	84-06-14
			Revision	02-05-15
	PATRONE MAXI		PATRONENLAGER MINI	
	<p>Längen</p> <p>L1 = 34.55 L2 = 41.18 L3 ¹⁾ = 49.22 L4 = L5 = L6 = 57.40</p> <p>Hülsenboden</p> <p>R ¹⁾ = 1.60 -0.25 R1 = 12.85 R3 = E = E1 = e min = delta = f = beta =</p> <p>Pulverkammer</p> <p>P1 = 10.72 P2* = 9.26</p> <p>Schulterkonus</p> <p>alpha* = 24° S* = 56.33 r1 min = r2 = 8.00</p> <p>Hülsenhals</p> <p>H1* = 6.44 H2 ¹⁾ = 6.40</p> <p>Geschoss</p> <p>G1 ¹⁾ = 5.70 G2 = F = L3+G ¹⁾ = 53.80</p> <p>Drücke (Energien)</p> <p>Mech. elektr. Wandler</p> <p>Pmax = 2850 bar PK = 3278 bar PE = 3560 bar M = 25.00 EE = 1935 Joule</p> <p>Verschiedene Daten</p> <p>Fe ¹⁾ = 0.15 delta L =</p>		<p>Längen</p> <p>L1 = 34.76 L2 = 41.39 L3 ¹⁾ = 49.48</p> <p>Stoßboden</p> <p>R ¹⁾ = 1.60 R1 = 12.88 R2 = R3 = r =</p> <p>Pulverkammer</p> <p>E = P1 ¹⁾ = 10.74 P2* = 9.28</p> <p>Schulterkonus</p> <p>alpha* = 24° S* = 56.59 r1 max = r2 = 8.00</p> <p>Hülsenhals</p> <p>H1* = 6.46 H2 ¹⁾ = 6.43</p> <p>Geschossübergang</p> <p>G1 ¹⁾* = 5.77 G ¹⁾ = 4.58 alpha1* = 60° h = 0.57 s = i ¹⁾* = 1°30' w =</p> <p>Lauf</p> <p>F ¹⁾* = 5.56 Z ¹⁾ = 5.69</p> <p>Züge</p> <p>b = 1.88 N = 6 u = 406.00 Q = 25.03 mm²</p>	
	Maßstab 1:1			
	<p>Maße in << mm >> Maße und Toleranzen für Messläufe siehe Anhang CR 1.</p>		<p>Bemerkungen: 1) Kontrolle aus Sicherheitsgründen * Grundmaße</p>	

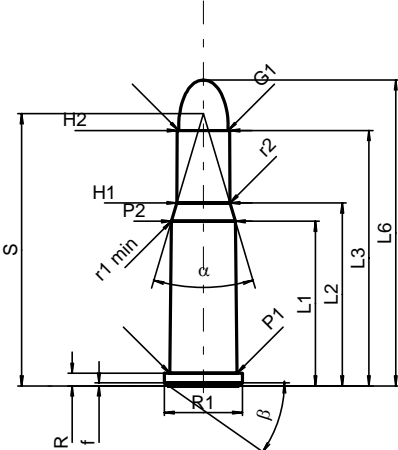
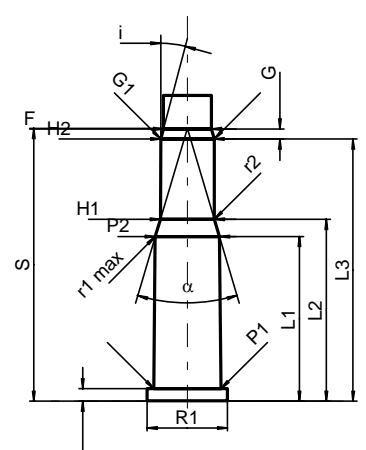
C.I.P.	22 Hornet		TAB.	II
	Ursprungsland: US		Datum	84-06-14
			Revision	02-05-15
	PATRONE MAXI		PATRONENLAGER MINI	
	<p>Längen</p> <p>L1 = 21.64 L2 = 25.80 L3 ¹⁾ = 35.64 L4 = L5 = L6 = 43.76</p> <p>Hülsenboden</p> <p>R ¹⁾ = 1.65 -0.25 R1 = 8.89 R3 = E = E1 = e min = delta = f = 0.38 beta = 35°</p> <p>Pulverkammer</p> <p>P1 = 7.59 P2 * = 7.04</p> <p>Schulterkonus</p> <p>alpha * = 11°16' S * = 57.33 r1 min = 12.70 r2 = 22.23</p> <p>Hülsenhals</p> <p>H1 * = 6.22 H2 ¹⁾ = 6.16</p> <p>Geschoss</p> <p>G1 ¹⁾ = 5.70 G2 = F = L3+G ¹⁾ = 38.78</p> <p>Drücke (Energien)</p> <p>Mech. elektr. Wandler</p> <p>Pmax = 3000 bar PK = 3450 bar PE = 3750 bar M = 17.50 EE = 1055 Joule</p> <p>Verschiedene Daten</p> <p>Fe ¹⁾ = 0.15 delta L =</p>		<p>Längen</p> <p>L1 = 21.44 L2 = 25.81 L3 ¹⁾ = 35.76</p> <p>Stoßboden</p> <p>R ¹⁾ = 1.65 R1 = 9.14 R2 = R3 = r =</p> <p>Pulverkammer</p> <p>E = P1 ¹⁾ = 7.62 P2 * = 7.07</p> <p>Schulterkonus</p> <p>alpha * = 10°58' S * = 58.26 r1 max = 12.70 r2 = 22.23</p> <p>Hülsenhals</p> <p>H1 * = 6.23 H2 ¹⁾ = 6.17</p> <p>Geschossübergang</p> <p>G1 ¹⁾* = 5.82 G ¹⁾ = 3.14 alpha 1 * = 90° h = 0.18 s = i ¹⁾* = 3° w =</p> <p>Lauf</p> <p>F ¹⁾* = 5.51 Z ¹⁾ = 5.64</p> <p>Züge</p> <p>b = 1.73 N = 6 u = 406.00 Q = 24.53 mm²</p>	
Maßstab 1.5:1				
Maße in << mm >> Maße und Toleranzen für Messläufe siehe Anhang CR 1.		Bemerkungen: 1) Kontrolle aus Sicherheitsgründen * Grundmaße		

C.I.P.	22 Savage		TAB.	II
	Ursprungsland: US		Datum	84-06-14
			Revision	02-05-15
	PATRONE MAXI		PATRONENLAGER MINI	
	<p>Längen</p> <p>L1 = 35.52 L2 = 41.04 L3¹⁾ = 52.07 L4 = L5 = L6 = 63.75</p> <p>Hülsenboden</p> <p>R¹⁾ = 1.60 -0.25 R1 = 12.85 R3 = E = E1 = e min = delta = f = beta =</p> <p>Pulverkammer</p> <p>P1 = 10.74 P2* = 9.20</p> <p>Schulterkonus</p> <p>alpha* = 28° S* = 53.97 r1 min = 3.81 r2 = 3.81</p> <p>Hülsenhals</p> <p>H1* = 6.45 H2¹⁾ = 6.45</p> <p>Geschoss</p> <p>G1¹⁾ = 5.79 G2 = F = L3+G¹⁾ = 55.22</p> <p>Drücke (Energien)</p> <p>Mech. elektr. Wandler</p> <p>Pmax = 3300 bar PK = 3795 bar PE = 4125 bar M = 25.00 EE = 1990 Joule</p> <p>Verschiedene Daten</p> <p>Fe¹⁾ = 0.15 delta L =</p>		<p>Längen</p> <p>L1 = 35.66 L2 = 40.89 L3¹⁾ = 52.12</p> <p>Stoßboden</p> <p>R¹⁾ = 1.65 R1 = 13.08 R2 = R3 = r =</p> <p>Pulverkammer</p> <p>E = P1¹⁾ = 10.80 P2* = 9.28</p> <p>Schulterkonus</p> <p>alpha* = 28° S* = 54.27 r1 max = 3.81 r2 = 7.62</p> <p>Hülsenhals</p> <p>H1* = 6.67 H2¹⁾ = 6.55</p> <p>Geschossübergang</p> <p>G1¹⁾* = 6.10 G¹⁾ = 3.15 alpha1* = 17° h = 1.51 s = i¹⁾* = 8°30' w =</p> <p>Lauf</p> <p>F¹⁾* = 5.61 Z¹⁾ = 5.74</p> <p>Züge</p> <p>b = 1.65 N = 6 u = 305.00 Q = 25.37 mm²</p>	
	Maßstab 1:1			
	<p>Maße in << mm >> Maße und Toleranzen für Messläufe siehe Anhang CR 1.</p>		<p>Bemerkungen: 1) Kontrolle aus Sicherheitsgründen * Grundmaße</p>	

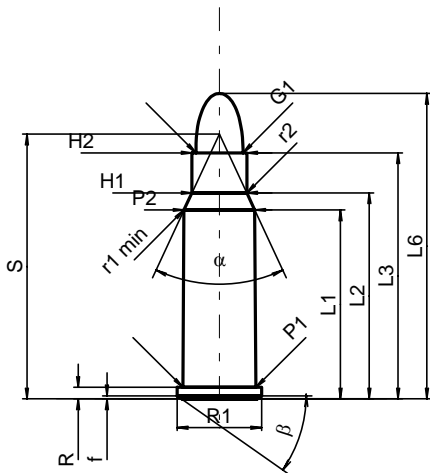
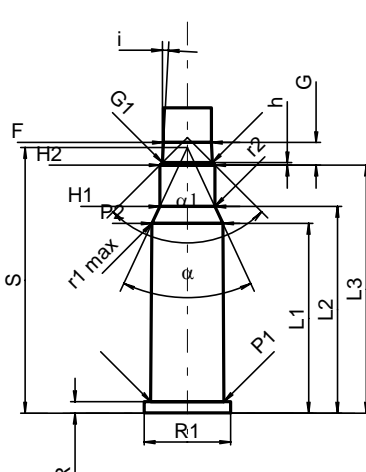
C.I.P.	222 R Stief		TAB.	II
			Datum	14-05-20
	Ursprungsland: DE		Revision	
	PATRONE MAXI		PATRONENLAGER MINI	
	<p>Längen</p> <p>L1 = 32.04 L2 = 35.15 L3 ¹⁾ = 43.18 L4 = L5 = L6 = 54.10</p> <p>Hülsenboden</p> <p>R ¹⁾ = 1.40 -0.25 R1 = 10.90 R3 = E = E1 = e min = delta = f = 0.50 beta = 45°</p> <p>Pulverkammer</p> <p>P1 = 9.59 P2 * = 9.07</p> <p>Schulterkonus</p> <p>alpha * = 46° S * = 42.72 r1 min = 0.64 r2 = 2.54</p> <p>Hülsenhals</p> <p>H1 * = 6.43 H2 ¹⁾ = 6.43</p> <p>Geschoss</p> <p>G1 ¹⁾ = 5.70 G2 = F = L3+G ¹⁾ = 45.37</p> <p>Drücke (Energien)</p> <p>Mech. elektr. Wandler</p> <p>Pmax = 3700 bar PK = 4255 bar PE = 4625 bar M = 25.00 EE = 1600 Joule</p> <p>Verschiedene Daten</p> <p>Fe ¹⁾⁴⁾ = 0.15 delta L =</p>		<p>Längen</p> <p>L1 = 32.01 L2 = 35.10 L3 ¹⁾ = 43.48</p> <p>Stoßboden</p> <p>R ¹⁾ = 1.40 R1 = 10.93 R2 = R3 = r =</p> <p>Pulverkammer</p> <p>E = P1 ¹⁾ = 9.62 P2 * = 9.10</p> <p>Schulterkonus</p> <p>alpha * = 46° S * = 42.73 r1 max = 0.64 r2 = 3.18</p> <p>Hülsenhals</p> <p>H1 * = 6.48 H2 ¹⁾ = 6.45</p> <p>Geschossübergang</p> <p>G1 ¹⁾* = 5.69 G ¹⁾ = 2.19 alpha1 = 90° h = 0.38 s * = 1.02 i ¹⁾* = 3°10'47" w =</p> <p>Lauf</p> <p>F ¹⁾* = 5.56 Z ¹⁾ = 5.69</p> <p>Züge</p> <p>b = 2.03 N = 6 u = 356.00 Q = 25.09 mm²</p>	
Maßstab 1.35:1 Maße in << mm >> Maße und Toleranzen für Messläufe siehe Anhang CR1.		Bemerkungen: 1) Kontrolle aus Sicherheitsgründen 4) Verschlussabstand an Rand * Grundmaße		

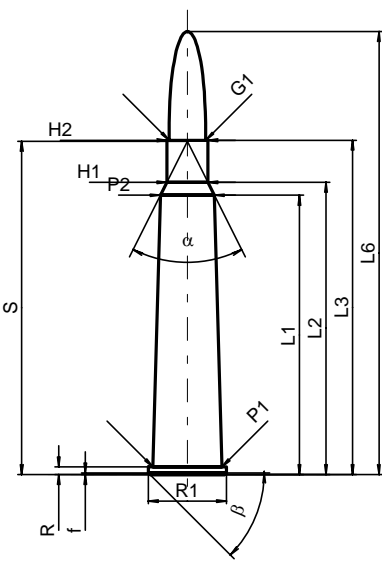
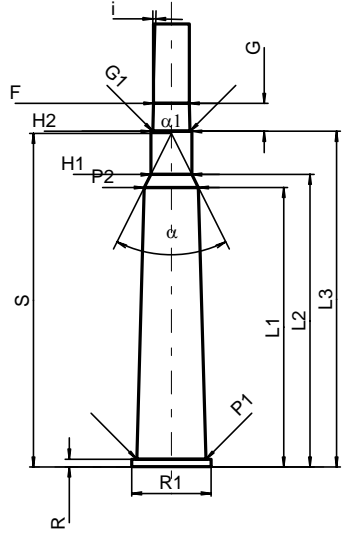
C.I.P.	225 Win.	TAB.	II
		Datum	84-06-14
		Revision	11-05-25
Ursprungsland: US			
	PATRONE MAXI		PATRONENLAGER MINI
	<p>Längen</p> <p>L1 = 38.86 L2 = 42.84 L3 ¹⁾ = 49.02 L4 = L5 = L6 = 63.50</p> <p>Hülsenboden</p> <p>R ¹⁾ = 1.24 -0.25 R1 = 12.01 R3 = E = E1 = e min = delta = f = 0.38 beta = 35°</p> <p>Pulverkammer</p> <p>P1 = 10.77 P2 * = 10.31</p> <p>Schulterkonus</p> <p>alpha * = 50° S * = 49.92 r1 min = 0.76 r2 = 2.54</p> <p>Hülsenhals</p> <p>H1 * = 6.60 H2 ¹⁾ = 6.60</p> <p>Geschoss</p> <p>G1 ¹⁾ = 5.70 G2 = F = L3+G ¹⁾ = 53.23</p> <p>Drücke (Energien)</p> <p>Mech. elektr. Wandler</p> <p>Pmax = 3900 bar PK = 4485 bar PE = 4875 bar M = 25.00 EE = 2195 Joule</p> <p>Verschiedene Daten</p> <p>Fe ¹⁾³⁾ = 0.10 delta L = 0.10</p>		<p>Längen</p> <p>L1 = 38.72 L2 = 42.69 L3 ¹⁾ = 49.28</p> <p>Stoßboden</p> <p>R ¹⁾ = 1.35 R1 = 12.27 R2 = R3 = r = 0.80</p> <p>Pulverkammer</p> <p>E = P1 ¹⁾ = 10.80 P2 * = 10.35</p> <p>Schulterkonus</p> <p>alpha * = 50° S * = 49.82 r1 max = 0.76 r2 = 2.54</p> <p>Hülsenhals</p> <p>H1 * = 6.65 H2 ¹⁾ = 6.63</p> <p>Geschossübergang</p> <p>G1 ¹⁾* = 5.74 G ¹⁾ = 4.21 alpha1 * = 60° h = 0.77 s = i ¹⁾* = 1°30' w =</p> <p>Lauf</p> <p>F ¹⁾* = 5.56 Z ¹⁾ = 5.68</p> <p>Züge</p> <p>b = 1.88 N = 6 u = 356.00 Q = 24.97 mm²</p>
	<p>Maßstab 1.19:1</p> <p>Maße in << mm >> Maße und Toleranzen für Messläufe siehe Anhang CR 1.</p>		<p>Bemerkungen: 1) Kontrolle aus Sicherheitsgründen 3) Verschlussabstand an Schulter * Grundmaße</p>

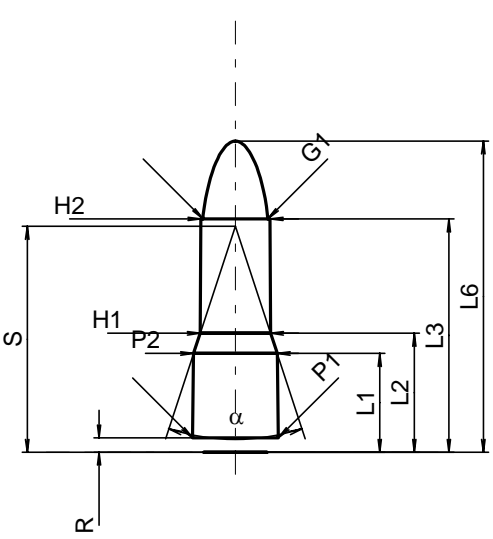
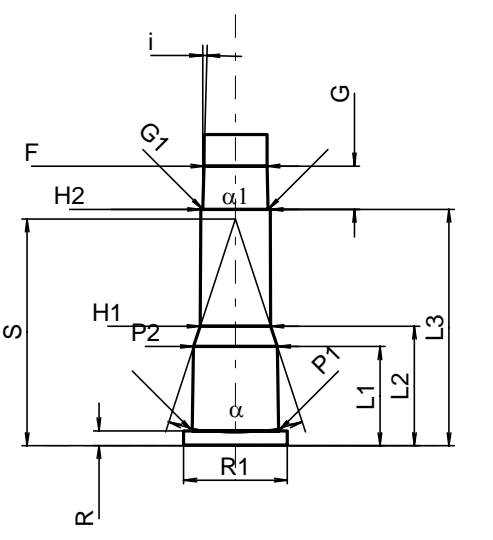
C.I.P.	240 FI. N.E.		TAB.	II
	Ursprungsland: GB		Datum	84-06-14
			Revision	04-05-18
	PATRONE MAXI		PATRONENTLAGER MINI	
	<p>Längen</p> <p>L1* = 49.53 L2* = 54.61 L3¹⁾ = 63.50 L4 = L5 = L6 = 82.55</p> <p>Hülsenboden</p> <p>R¹⁾ = 1.09 -0.25 R1 = 12.95 R3 = E = E1 = e min = delta = f = 0.30 beta = 45°</p> <p>Pulverkammer</p> <p>P1 = 11.68 P2* = 10.29</p> <p>Schulterkonus</p> <p>alpha = 34°45'34" S = 65.97 r1 min = 4.57 r2 = 4.57</p> <p>Hülsenhals</p> <p>H1* = 7.11 H2¹⁾ = 7.11</p> <p>Geschoss</p> <p>G1¹⁾ = 6.22 G2 = F = L3+G¹⁾ = 76.20</p> <p>Drücke (Energien)</p> <p>Mech. elektr. Wandler</p> <p>Pmax = 3200 bar PK = 3680 bar PE = 4000 bar M = 25.00 EE = 2660 Joule</p> <p>Verschiedene Daten</p> <p>Fe¹⁾ = 0.15 delta L =</p>		<p>Längen</p> <p>L1* = 49.56 L2* = 54.64 L3¹⁾ = 63.75</p> <p>Stoßboden</p> <p>R¹⁾ = 1.12 R1 = 13.21 R2 = R3 = r =</p> <p>Pulverkammer</p> <p>E = P1¹⁾ = 11.71 P2* = 10.31</p> <p>Schulterkonus</p> <p>alpha = 34°39'24" S = 66.08 r1 max = r2 =</p> <p>Hülsenhals</p> <p>H1* = 7.14 H2¹⁾ = 7.14</p> <p>Geschossübergang</p> <p>G1¹⁾* = 6.30 G¹⁾* = 12.70 alpha1 = 90° h* = 0.42 s = i¹⁾ = 0°39'11" w =</p> <p>Lauf</p> <p>F¹⁾* = 6.02 Z¹⁾ = 6.22</p> <p>Züge</p> <p>b = 3.50 N = 4 u = 203.00 Q = 29.95 mm²</p>	
Maßstab 1:1				
Maße in << mm >> Maße und Toleranzen für Messläufe siehe Anhang CR 1.		Bemerkungen: 1) Kontrolle aus Sicherheitsgründen * Grundmaße		

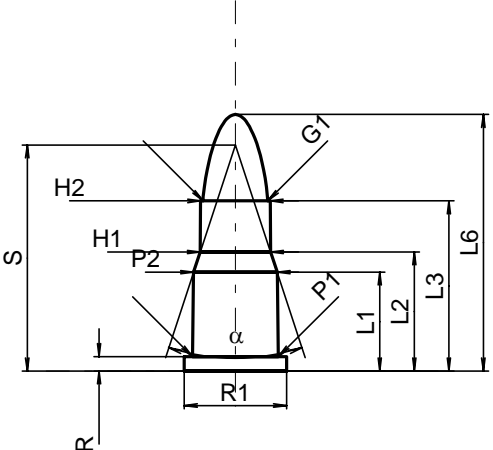
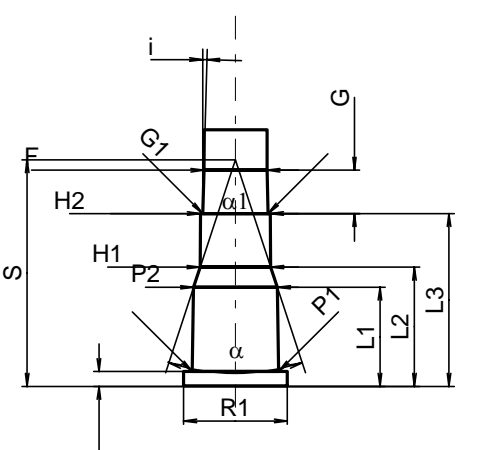
C.I.P.	25-20 Win.		TAB.	II
	Ursprungsland: US		Datum	84-06-14
			Revision	02-05-15
	PATRONE MAXI		PATRONENLAGER MINI	
	<p>Längen</p> <p>L1 = 21.77 L2 = 24.19 L3 ¹⁾ = 33.78 L4 = L5 = L6 = 40.44</p> <p>Hülsenboden</p> <p>R ¹⁾ = 1.65 -0.25 R1 = 10.36 R3 = E = E1 = e min = delta = f = 0.38 beta = 35°</p> <p>Pulverkammer</p> <p>P1 = 8.87 P2 * = 8.46</p> <p>Schulterkonus</p> <p>alpha * = 33°8' S * = 35.99 r1 min = 2.54 r2 = 4.70</p> <p>Hülsenhals</p> <p>H1 * = 7.02 H2 ¹⁾ = 6.95</p> <p>Geschoss</p> <p>G1 ¹⁾ = 6.55 G2 = F = L3+G ¹⁾ = 35.13</p> <p>Drücke (Energien) Mech. elektr. Wandler</p> <p>Pmax = 2700 bar PK = 3105 bar PE = 3375 bar M = 17.50 EE = 1090 Joule</p> <p>Verschiedene Daten</p> <p>Fe ¹⁾ = 0.15 delta L =</p>		<p>Längen</p> <p>L1 = 21.78 L2 = 24.05 L3 ¹⁾ = 34.67</p> <p>Stoßboden</p> <p>R ¹⁾ = 1.65 R1 = 10.62 R2 = R3 = r =</p> <p>Pulverkammer</p> <p>E = P1 ¹⁾ = 8.90 P2 * = 8.50</p> <p>Schulterkonus</p> <p>alpha * = 33°8' S * = 36.08 r1 max = 2.54 r2 = 4.70</p> <p>Hülsenhals</p> <p>H1 * = 7.15 H2 ¹⁾ = 7.07</p> <p>Geschossübergang</p> <p>G1 ¹⁾* = 7.07 G ¹⁾ = 1.35 alpha 1 * = 15° h = s = i ¹⁾* = 15° w =</p> <p>Lauf</p> <p>F ¹⁾* = 6.35 Z ¹⁾ = 6.50</p> <p>Züge</p> <p>b = 1.98 N = 6 u = 356.00 Q = 32.57 mm²</p>	
				
Maßstab 1:1				
Maße in << mm >> Maße und Toleranzen für Messläufe siehe Anhang CR 1.		Bemerkungen: 1) Kontrolle aus Sicherheitsgründen * Grundmaße		

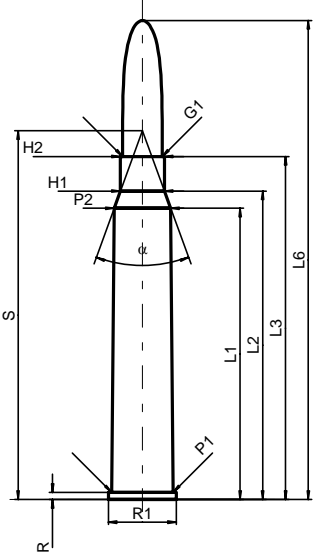
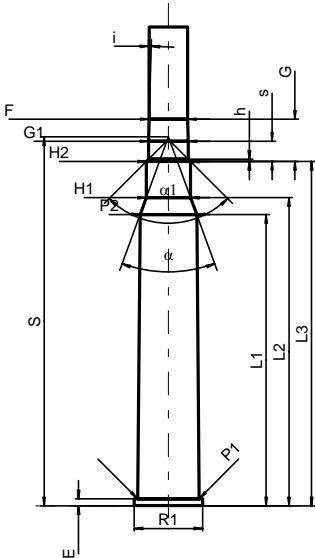
C.I.P.	25-35 Win. Ursprungsland: US	TAB.	II																																
		Datum	84-06-14																																
		Revision	06-02-08																																
		PATRONE MAXI																																	
		PATRONE MINI																																	
		Längen																																	
		Stoßboden																																	
<p>Maßstab 1:1</p> <p style="text-align: center;">Maße in << mm >> Maße und Toleranzen für Messläufe siehe Anhang CR 1.</p>		<table style="width: 100%; border-collapse: collapse;"> <tr> <td style="width: 50%;"> Längen L1 = 35.06 L2 = 39.78 L3¹⁾ = 51.89 L4 = L5 = L6 = 64.77 </td> <td style="width: 50%; vertical-align: top;"> -0.25 R¹⁾ = 1.60 R1 = 12.85 R3 = E = E1 = e min = delta = f = 0.38 beta = 35° </td> </tr> <tr> <td style="width: 50%;"> Hülseboden R¹⁾ = 1.60 R1 = 12.85 R3 = E = E1 = e min = delta = f = 0.38 beta = 35° </td> <td style="width: 50%; vertical-align: top;"> R¹⁾ = 1.60 R1 = 13.11 R2 = R3 = r = </td> </tr> <tr> <td colspan="2"> Pulverkammer P1 = 10.73 P2* = 9.25 </td> <td colspan="2"> Pulverkammer E = P1¹⁾ = 10.74 P2* = 9.26 </td> </tr> <tr> <td colspan="2"> Schulterkonus alpha* = 23°8' S* = 57.66 r1 min = 18.80 r2 = 12.70 </td> <td colspan="2"> Schulterkonus alpha* = 23°8' S* = 57.82 r1 max = 15.24 r2 = 12.70 </td> </tr> <tr> <td colspan="2"> Hülsehals H1* = 7.32 H2¹⁾ = 7.15 </td> <td colspan="2"> Hülsehals H1* = 7.35 H2¹⁾ = 7.18 </td> </tr> <tr> <td colspan="2"> Geschoss G1¹⁾ = 6.55 G2 = F = L3+G¹⁾ = 55.68 </td> <td colspan="2"> Geschossübergang G1¹⁾* = 7.18 G¹⁾ = 3.79 alpha1* = 180° h = s = i¹⁾* = 6°15' w = </td> </tr> <tr> <td colspan="2"> Drücke (Energien) Mech. elektr. Wandler Pmax = 3050 bar PK = 3508 bar PE = 3810 bar M = 25.00 EE = 1750 Joule </td> <td colspan="2"> Lauf F¹⁾* = 6.35 Z¹⁾ = 6.50 </td> </tr> <tr> <td colspan="2"> Verschiedene Daten Fe¹⁾ = 0.15 delta L = </td> <td colspan="2"> Züge b = 2.00 N = 6 u = 203.00 Q = 32.58 mm² </td> </tr> <tr> <td colspan="2"> <p>Bemerkungen:</p> </td> <td colspan="2"> 1) Kontrolle aus Sicherheitsgründen * Grundmaße </td> </tr> </table>		Längen L1 = 35.06 L2 = 39.78 L3 ¹⁾ = 51.89 L4 = L5 = L6 = 64.77	-0.25 R ¹⁾ = 1.60 R1 = 12.85 R3 = E = E1 = e min = delta = f = 0.38 beta = 35°	Hülseboden R ¹⁾ = 1.60 R1 = 12.85 R3 = E = E1 = e min = delta = f = 0.38 beta = 35°	R ¹⁾ = 1.60 R1 = 13.11 R2 = R3 = r =	Pulverkammer P1 = 10.73 P2* = 9.25		Pulverkammer E = P1 ¹⁾ = 10.74 P2* = 9.26		Schulterkonus alpha* = 23°8' S* = 57.66 r1 min = 18.80 r2 = 12.70		Schulterkonus alpha* = 23°8' S* = 57.82 r1 max = 15.24 r2 = 12.70		Hülsehals H1* = 7.32 H2 ¹⁾ = 7.15		Hülsehals H1* = 7.35 H2 ¹⁾ = 7.18		Geschoss G1 ¹⁾ = 6.55 G2 = F = L3+G ¹⁾ = 55.68		Geschossübergang G1 ¹⁾ * = 7.18 G ¹⁾ = 3.79 alpha1* = 180° h = s = i ¹⁾ * = 6°15' w =		Drücke (Energien) Mech. elektr. Wandler Pmax = 3050 bar PK = 3508 bar PE = 3810 bar M = 25.00 EE = 1750 Joule		Lauf F ¹⁾ * = 6.35 Z ¹⁾ = 6.50		Verschiedene Daten Fe ¹⁾ = 0.15 delta L =		Züge b = 2.00 N = 6 u = 203.00 Q = 32.58 mm ²		<p>Bemerkungen:</p>		1) Kontrolle aus Sicherheitsgründen * Grundmaße	
		Längen L1 = 35.06 L2 = 39.78 L3 ¹⁾ = 51.89 L4 = L5 = L6 = 64.77	-0.25 R ¹⁾ = 1.60 R1 = 12.85 R3 = E = E1 = e min = delta = f = 0.38 beta = 35°																																
Hülseboden R ¹⁾ = 1.60 R1 = 12.85 R3 = E = E1 = e min = delta = f = 0.38 beta = 35°	R ¹⁾ = 1.60 R1 = 13.11 R2 = R3 = r =																																		
Pulverkammer P1 = 10.73 P2* = 9.25		Pulverkammer E = P1 ¹⁾ = 10.74 P2* = 9.26																																	
Schulterkonus alpha* = 23°8' S* = 57.66 r1 min = 18.80 r2 = 12.70		Schulterkonus alpha* = 23°8' S* = 57.82 r1 max = 15.24 r2 = 12.70																																	
Hülsehals H1* = 7.32 H2 ¹⁾ = 7.15		Hülsehals H1* = 7.35 H2 ¹⁾ = 7.18																																	
Geschoss G1 ¹⁾ = 6.55 G2 = F = L3+G ¹⁾ = 55.68		Geschossübergang G1 ¹⁾ * = 7.18 G ¹⁾ = 3.79 alpha1* = 180° h = s = i ¹⁾ * = 6°15' w =																																	
Drücke (Energien) Mech. elektr. Wandler Pmax = 3050 bar PK = 3508 bar PE = 3810 bar M = 25.00 EE = 1750 Joule		Lauf F ¹⁾ * = 6.35 Z ¹⁾ = 6.50																																	
Verschiedene Daten Fe ¹⁾ = 0.15 delta L =		Züge b = 2.00 N = 6 u = 203.00 Q = 32.58 mm ²																																	
<p>Bemerkungen:</p>		1) Kontrolle aus Sicherheitsgründen * Grundmaße																																	

C.I.P.	256 Win. Mag.		TAB.	II
	Ursprungsland: US		Datum	84-06-14
			Revision	02-05-15
	PATRONE MAXI		PATRONENLAGER MINI	
	<p>Längen</p> <p>L1 = 24.98 L2 = 27.25 L3 ¹⁾ = 32.54 L4 = L5 = L6 = 40.39</p> <p>Hülsenboden</p> <p>R ¹⁾ = 1.52 -0.25 R1 = 11.18 R3 = E = E1 = e min = delta = f = 0.40 beta = 35°</p> <p>Pulverkammer</p> <p>P1 = 9.68 P2 * = 9.35</p> <p>Schulterkonus</p> <p>alpha * = 50° S * = 35.01 r1 min = 0.76 r2 = 2.54</p> <p>Hülsenhals</p> <p>H1 * = 7.24 H2 ¹⁾ = 7.24</p> <p>Geschoss</p> <p>G1 ¹⁾ = 6.23 G2 = F = L3+G ¹⁾ = 35.52</p> <p>Drücke (Energien)</p> <p>Mech. elektr. Wandler</p> <p>Pmax = 3500 bar PK = 4025 bar PE = 4375 bar M = 17.50 EE = 1365 Joule</p> <p>Verschiedene Daten</p> <p>Fe ¹⁾ = 0.15 delta L =</p>		<p>Längen</p> <p>L1 = 25.11 L2 = 27.34 L3 ¹⁾ = 32.82</p> <p>Stoßboden</p> <p>R ¹⁾ = 1.55 R1 = 11.43 R2 = R3 = r =</p> <p>Pulverkammer</p> <p>E = P1 ¹⁾ = 9.70 P2 * = 9.37</p> <p>Schulterkonus</p> <p>alpha * = 50° S * = 35.16 r1 max = 0.76 r2 = 2.54</p> <p>Hülsenhals</p> <p>H1 * = 7.29 H2 ¹⁾ = 7.26</p> <p>Geschossübergang</p> <p>G1 ¹⁾* = 6.63 G ¹⁾ = 2.98 alpha 1 * = 90° h = 0.32 s = i ¹⁾* = 3° w =</p> <p>Lauf</p> <p>F ¹⁾* = 6.35 Z ¹⁾ = 6.50</p> <p>Züge</p> <p>b = 2.01 N = 6 u = 356.00 Q = 32.59 mm²</p>	
	<p>Maßstab 1:1</p> <p>Maße in << mm >> Maße und Toleranzen für Messläufe siehe Anhang CR 1.</p>			
		<p>Bemerkungen: 1) Kontrolle aus Sicherheitsgründen * Grundmaße</p>		

C.I.P.	280 FI. N. E.		TAB.	II
	Ursprungsland: GB		Datum	84-06-14
			Revision	02-05-15
	PATRONE MAXI		PATRONENLAGER MINI	
	<p>Längen</p> <p>L1* = 55.40 L2* = 57.99 L3¹⁾ = 66.32 L4 = L5 = L6 = 87.88</p> <p>Hülsenboden</p> <p>R¹⁾ = 1.52 -0.25 R1 = 15.49 R3 = E = E1 = e min = delta = f = 0.30 beta = 45°</p> <p>Pulverkammer</p> <p>P1 = 13.69 P2* = 10.72</p> <p>Schulterkonus</p> <p>alpha = 53°07'48" S = 66.12 r1 min = r2 =</p> <p>Hülsenhals</p> <p>H1* = 8.13 H2¹⁾ = 8.13</p> <p>Geschoss</p> <p>G1¹⁾ = 7.29 G2 = F = L3+G¹⁾ = 71.86</p> <p>Drücke (Energien)</p> <p>Mech. elektr. Wandler</p> <p>Pmax = 2950 bar PK = 3393 bar PE = 3690 bar M = 25.00 EE = 3550 Joule</p> <p>Verschiedene Daten</p> <p>Fe¹⁾ = 0.15 delta L =</p>		<p>Längen</p> <p>L1* = 55.42 L2* = 58.01 L3¹⁾ = 66.57</p> <p>Stoßboden</p> <p>R¹⁾ = 1.55 R1 = 15.75 R2 = R3 = r =</p> <p>Pulverkammer</p> <p>E = P1¹⁾ = 13.72 P2* = 10.74</p> <p>Schulterkonus</p> <p>alpha = 53°07'48" S = 66.16 r1 max = r2 =</p> <p>Hülsenhals</p> <p>H1* = 8.15 H2¹⁾ = 8.15</p> <p>Geschossübergang</p> <p>G1¹⁾* = 7.34 G¹⁾* = 5.54 alpha1 = 180° h = s = i¹⁾ = 1°30' w =</p> <p>Lauf</p> <p>F¹⁾* = 7.05 Z¹⁾ = 7.30</p> <p>Züge</p> <p>b = N = u = 255.00 Q = 39.04 mm²</p>	
	<p>Maßstab 1:1.5</p> <p>Maße in << mm >> Maße und Toleranzen für Messläufe siehe Anhang CR 1.</p>			
		<p>Bemerkungen: 1) Kontrolle aus Sicherheitsgründen * Grundmaße</p>		

C.I.P.	297/230 Morris Ig		TAB.	II
	Ursprungsland: GB		Datum	84-06-14
			Revision	00-06-07
	PATRONE MAXI		PATRONENTLAGER MINI	
	<p>Längen</p> <p>L1* = 8.71 L2* = 10.49 L3¹⁾ = 20.57 L4 = L5 = L6 = 27.43</p> <p>Hülsenboden</p> <p>R = 1.27 -0.25 R1 = R3 = E = E1 = e min = delta = f = beta =</p> <p>Pulverkammer</p> <p>P1 = 7.59 P2* = 7.37</p> <p>Schulterkonus</p> <p>alpha = 36°23'11" S = 19.92 r1 min = r2 =</p> <p>Hülsenhals</p> <p>H1* = 6.20 H2¹⁾ = 6.10</p> <p>Geschoss</p> <p>G1¹⁾ = 5.71 G2 = F = L3+G¹⁾ = 24.39</p> <p>Drücke (Energien)</p> <p>Fe = delta L =</p>		<p>Längen</p> <p>L1* = 8.74 L2* = 10.52 L3¹⁾ = 20.83</p> <p>Stoßboden</p> <p>R¹⁾ = 1.30 R1 = 9.14 R2 = R3 = r =</p> <p>Pulverkammer</p> <p>E = P1¹⁾ = 7.62 P2* = 7.39</p> <p>Schulterkonus</p> <p>alpha = 36°23'11" S = 19.98 r1 max = r2 =</p> <p>Hülsenhals</p> <p>H1* = 6.22 H2¹⁾ = 6.12</p> <p>Geschossübergang</p> <p>G1¹⁾* = 5.76 G¹⁾* = 3.82 alpha1 = 180° h = s = i¹⁾ = 1°30' w =</p> <p>Lauf</p> <p>F¹⁾* = 5.56 Z¹⁾ = 5.69</p> <p>Züge</p> <p>b = N = u = 255.00 Q = 24.28 mm²</p>	
				
Maßstab 1.5:1 Maße in << mm >> Maße und Toleranzen für Messläufe siehe Anhang CR 1.		Bemerkungen: 1) Kontrolle aus Sicherheitsgründen * Grundmaße		

C.I.P.	297/230 Morris sh		TAB.	II
	Ursprungsland: GB		Datum	84-06-14
			Revision	00-06-07
	PATRONE MAXI		PATRONENLAGER MINI	
	<p>Längen</p> <p>L1* = 8.71 L2* = 10.49 L3¹⁾ = 14.99 L4 = L5 = L6 = 22.61</p> <p>Hülsenboden</p> <p>R¹⁾ = 1.27 -0.25 R1 = 9.02 R3 = E = E1 = e min = delta = f = beta =</p> <p>Pulverkammer</p> <p>P1 = 7.59 P2* = 7.37</p> <p>Schulterkonus</p> <p>alpha = 36°23'11" S = 19.92 r1 min = r2 =</p> <p>Hülsenhals</p> <p>H1* = 6.20 H2¹⁾ = 6.15</p> <p>Geschoss</p> <p>G1¹⁾ = 5.71 G2 = F = L3+G¹⁾ = 18.81</p> <p>Drücke (Energien)</p> <p>Fe = delta L =</p>		<p>Längen</p> <p>L1* = 8.74 L2* = 10.52 L3¹⁾ = 15.24</p> <p>Stoßboden</p> <p>R¹⁾ = 1.30 R1 = 9.14 R2 = R3 = r =</p> <p>Pulverkammer</p> <p>E = P1¹⁾ = 7.62 P2* = 7.39</p> <p>Schulterkonus</p> <p>alpha = 36°23'11" S = 19.98 r1 max = r2 =</p> <p>Hülsenhals</p> <p>H1* = 6.22 H2¹⁾ = 6.17</p> <p>Geschossübergang</p> <p>G1¹⁾* = 5.76 G¹⁾* = 3.82 alpha1 = 180° h = s = i¹⁾ = 1°30' w =</p> <p>Lauf</p> <p>F¹⁾* = 5.56 Z¹⁾ = 5.69</p> <p>Züge</p> <p>b = N = u = 255.00 Q = 24.28 mm²</p>	
				
Maßstab 1.5:1 Maße in << mm >> Maße und Toleranzen für Messläufe siehe Anhang CR 1.		Bemerkungen: 1) Kontrolle aus Sicherheitsgründen * Grundmaße		

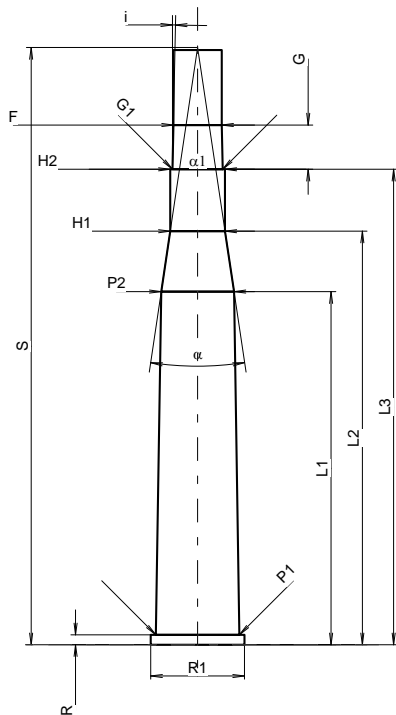
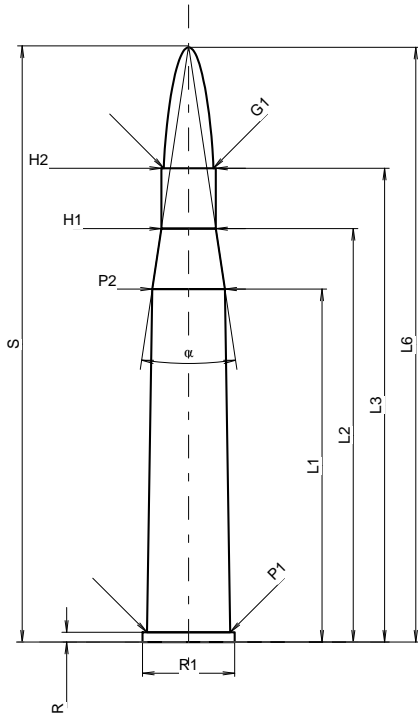
C.I.P.	30 R Blaser		TAB.	II
	Ursprungsland: DE		Datum	91-02-19
			Revision	07-07-06
	PATRONE MAXI		PATRONENLAGER MINI	
	<p>Längen</p> <p>L1* = 57.77 L2* = 61.16 L3¹⁾ = 68.00 L4 = L5 = L6 = 95.00</p> <p>Hülsenboden</p> <p>R¹⁾ = 1.40 -0.25 R1 = 13.50 R3 = E = E1 = e min = delta = f = beta =</p> <p>Pulverkammer</p> <p>P1 = 12.20 P2* = 11.20</p> <p>Schulterkonus</p> <p>alpha = 40°02'02" S = 73.14 r1 min = r2 =</p> <p>Hülsenhals</p> <p>H1* = 8.73 H2¹⁾ = 8.73</p> <p>Geschoss</p> <p>G1¹⁾ = 7.85 G2 = F = L3+G¹⁾ = 76.39</p> <p>Drücke (Energien)</p> <p>Mech. elektr. Wandler</p> <p>Pmax = 4050 bar PK = 4658 bar PE = 5060 bar M = 25.00 EE = 4500 Joule</p> <p>Verschiedene Daten</p> <p>Fe¹⁾ = 0.10 delta L =</p>		<p>Längen</p> <p>L1* = 57.78 L2* = 61.13 L3¹⁾ = 68.30</p> <p>Stoßboden</p> <p>R¹⁾ = 1.40 R1 = 13.55 R2 = R3 = r =</p> <p>Pulverkammer</p> <p>E = 1.40 P1¹⁾ = 12.23 P2* = 11.23</p> <p>Schulterkonus</p> <p>alpha = 40°01'16" S = 73.20 r1 max = r2 =</p> <p>Hülsenhals</p> <p>H1* = 8.79 H2¹⁾ = 8.76</p> <p>Geschossübergang</p> <p>G1¹⁾* = 7.85 G¹⁾* = 8.39 alpha1 = 90° h = 0.46 s* = 4.00 i¹⁾ = 1°30' w =</p> <p>Lauf</p> <p>F¹⁾* = 7.62 Z¹⁾ = 7.82</p> <p>Züge</p> <p>b = 4.47 N = 4 u = 305.00 Q = 47.51 mm²</p>	
	<p>Maßstab 1:1.5</p> <p>Maße in << mm >> Maße und Toleranzen für Messläufe siehe Anhang CR 1.</p>			
		<p>Bemerkungen: 1) Kontrolle aus Sicherheitsgründen * Grundmaße</p>		

C.I.P.	30 Fl. N.E. Purdey	TAB.	II
		Datum	84-06-14
		Revision	11-05-25
Ursprungsland: GB			
	PATRONE MAXI		PATRONENLAGER MINI
	<p>Längen</p> <p>L1 * = 43.03 L2 * = 47.09 L3 1) = 58.78 L4 = L5 = L6 = 75.69</p> <p>Hülsenboden</p> <p>R 1) = 1.63 -0.25 R1 = 13.84 R3 = E = E1 = e min = delta = f = beta =</p> <p>Pulverkammer</p> <p>P1 = 11.73 P2 * = 10.69</p> <p>Schulterkonus</p> <p>alpha = 29°00'01" S = 63.70 r1 min = 3.81 r2 = 3.81</p> <p>Hülsenhals</p> <p>H1 * = 8.59 H2 1) = 8.51</p> <p>Geschoss</p> <p>G1 1) = 7.82 G2 = F = L3+G 1) = 65.73</p> <p>Drücke (Energien)</p> <p>Mech. elektr. Wandler</p> <p>Pmax = 3200 bar PK = 3680 bar PE = 4000 bar M = 25.00 EE = 3455 Joule</p> <p>Verschiedene Daten</p> <p>Fe 1)4) = 0.15 delta L =</p>		<p>Längen</p> <p>L1 * = 43.05 L2 * = 47.12 L3 1) = 59.03</p> <p>Stoßboden</p> <p>R 1) = 1.65 R1 = 14.10 R2 = R3 = r =</p> <p>Pulverkammer</p> <p>E = P1 1) = 11.76 P2 * = 10.72</p> <p>Schulterkonus</p> <p>alpha = 28°55'55" S = 63.83 r1 max = 3.81 r2 = 3.81</p> <p>Hülsenhals</p> <p>H1 * = 8.62 H2 1) = 8.53</p> <p>Geschossübergang</p> <p>G1 1)* = 7.89 G 1)* = 6.95 alpha 1 = 180° h = s = i 1) = 1°06'46" w =</p> <p>Lauf</p> <p>F 1)* = 7.62 Z 1) = 7.82</p> <p>Züge</p> <p>b = 2.72 N = 6 u = 254.00 Q = 47.27 mm²</p>
<p>Maßstab 1.0:1</p> <p style="text-align: center;">Maße in << mm >> Maße und Toleranzen für Messläufe siehe Anhang CR 1.</p>		<p>Bemerkungen: 1) Kontrolle aus Sicherheitsgründen 4) Verschlussabstand an Rand * Grundmaße</p>	

C.I.P.	30 Super Fl. H&H	TAB.	II
		Datum	84-06-14
		Revision	11-05-25

Ursprungsland: GB

Alternative Namen: 300 Fl. N.E.



Maßstab 1:1.19

Maße in << mm >>
 Maße und Toleranzen für Messläufe
 siehe Anhang CR 1.

PATRONE MAXI

Längen

L1 *	=	55.63
L2 *	=	65.15
L3 ¹⁾	=	74.68
L4	=	
L5	=	
L6	=	93.73

Hülsenboden

R ¹⁾	=	1.52	-0.25
R1	=	14.53	
R3	=		
E	=		
E1	=		
e min	=		
delta	=		
f	=		
beta	=		

Pulverkammer

P1	=	13.13
P2 *	=	11.43

Schulterkonus

alpha	=	16°58'3"
S	=	93.94
r1 min	=	
r2	=	

Hülsenhals

H1 *	=	8.59
H2 ¹⁾	=	8.59

Geschoss

G1 ¹⁾	=	7.82
G2	=	
F	=	
L3+G ¹⁾	=	81.67

Drücke (Energien)

Mech. elektr. Wandler

Pmax	=	3200 bar
PK	=	3680 bar
PE	=	4000 bar
M	=	25.00
EE	=	3520 Joule

Verschiedene Daten

Fe ¹⁾⁴⁾	=	0.15
delta L	=	

PATRONENLAGER MINI

Längen

L1 *	=	55.65
L2 *	=	65.18
L3 ¹⁾	=	74.93

Stoßboden

R ¹⁾	=	1.55
R1	=	14.78
R2	=	
R3	=	
r	=	

Pulverkammer

E	=	
P1 ¹⁾	=	13.16
P2 *	=	11.46

Schulterkonus

alpha	=	16°56'58"
S	=	94.11
r1 max	=	
r2	=	

Hülsenhals

H1 *	=	8.62
H2 ¹⁾	=	8.61

Geschossübergang

G1 ¹⁾ *	=	7.89
G ¹⁾ *	=	6.99
alpha1	=	180°
h	=	
s	=	
i ¹⁾	=	1°06'23"
w	=	

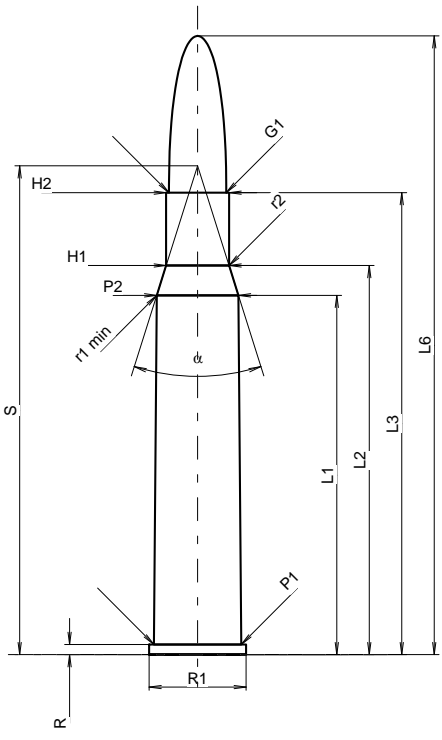
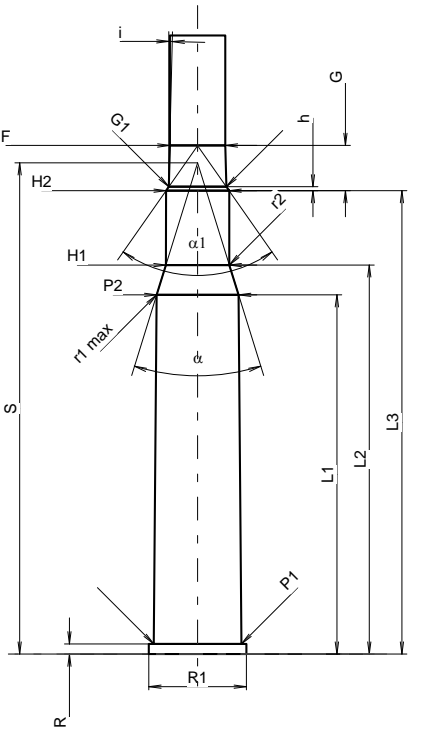
Lauf

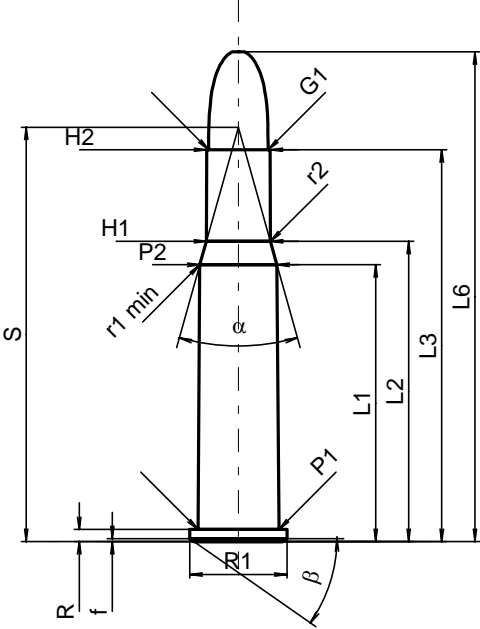
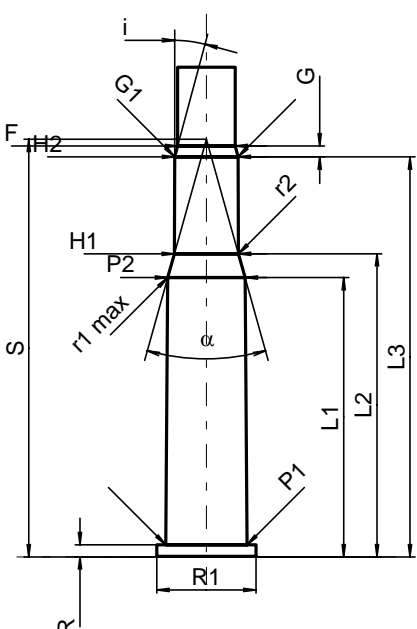
F ¹⁾ *	=	7.62
Z ¹⁾	=	7.82

Züge

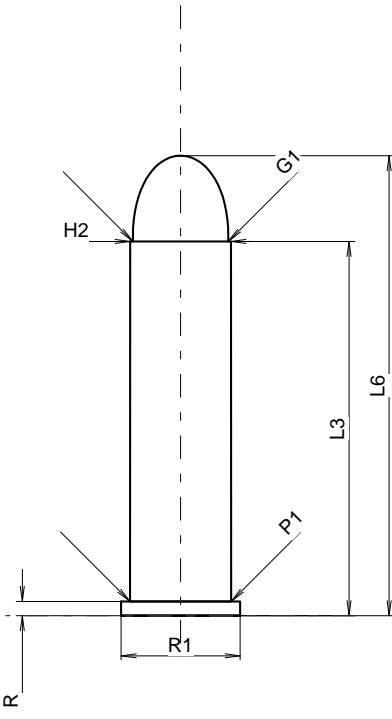
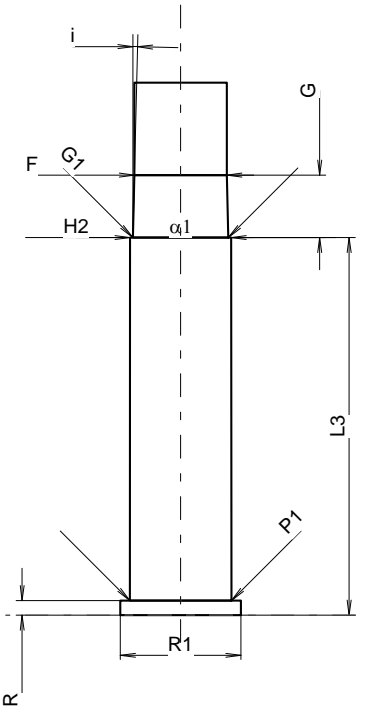
b	=	2.72
N	=	6
u	=	254.00
Q	=	47.27 mm ²

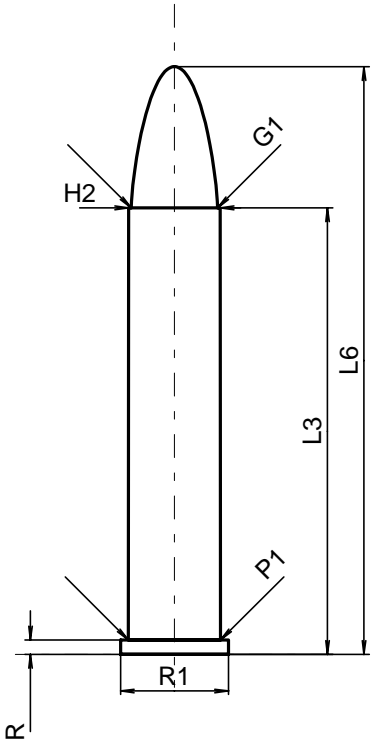
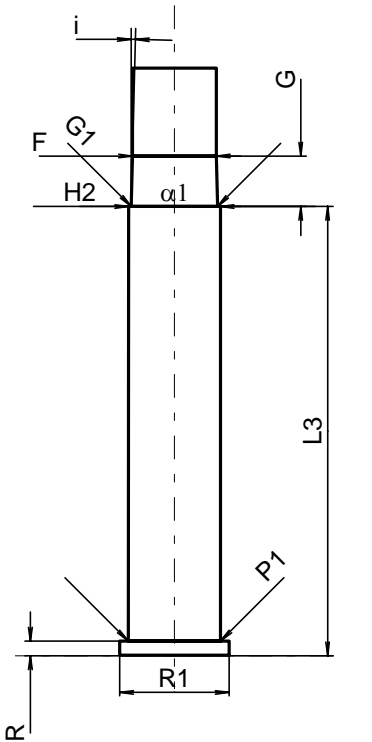
Bemerkungen: 1) Kontrolle aus Sicherheitsgründen
 4) Verschlussabstand an Rand
 * Grundmaße

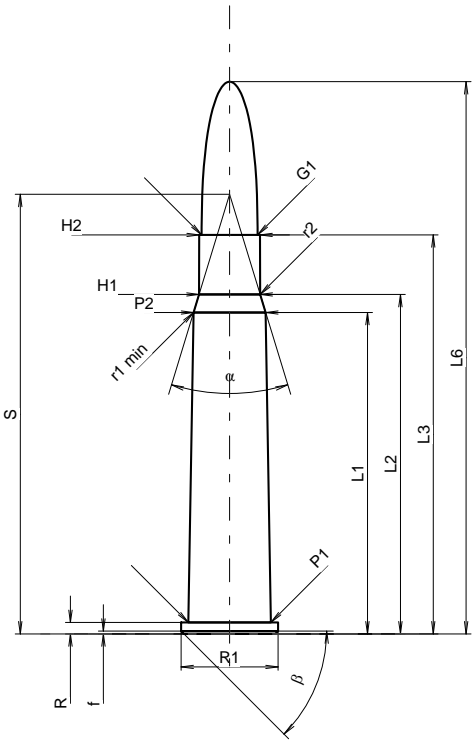
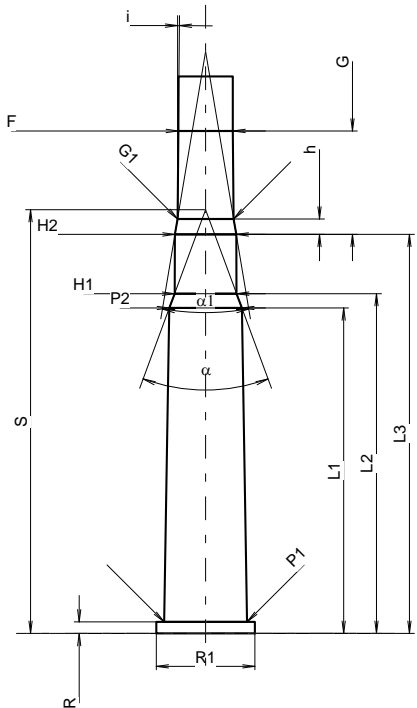
C.I.P.	30-06 R Stief		TAB.	II
			Datum	09-05-05
	Ursprungsland: DE		Revision	
	PATRONE MAXI		PATRONENLAGER MINI	
	<p>Längen</p> <p>L1 = 49.27 L2 = 53.35 L3 ¹⁾ = 63.35 L4 = L5 = L6 = 84.84</p> <p>Hülsenboden</p> <p>R ¹⁾ = 1.40 -0.25 R1 = 13.32 R3 = E = E1 = e min = delta = f = beta =</p> <p>Pulverkammer</p> <p>P1 = 11.99 P2 * = 11.20</p> <p>Schulterkonus</p> <p>alpha * = 35° S * = 67.03 r1 min = 1.27 r2 = 2.54</p> <p>Hülsenhals</p> <p>H1 * = 8.63 H2 ¹⁾ = 8.63</p> <p>Geschoss</p> <p>G1 ¹⁾ = 7.85 G2 = F = L3+G ¹⁾ = 69.55</p> <p>Drücke (Energien)</p> <p>Mech. elektr. Wandler</p> <p>Pmax = 4050 bar PK = 4658 bar PE = 5060 bar M = 25.00 EE = 4335 Joule</p> <p>Verschiedene Daten</p> <p>Fe ¹⁾⁴⁾ = 0.10 delta L =</p>		<p>Längen</p> <p>L1 = 49.27 L2 = 53.36 L3 ¹⁾ = 63.55</p> <p>Stoßboden</p> <p>R ¹⁾ = 1.40 R1 = 13.37 R2 = R3 = r =</p> <p>Pulverkammer</p> <p>E = P1 ¹⁾ = 12.02 P2 * = 11.24</p> <p>Schulterkonus</p> <p>alpha * = 34°30' S * = 67.37 r1 max = 1.27 r2 = 3.05</p> <p>Hülsenhals</p> <p>H1 * = 8.70 H2 ¹⁾ = 8.65</p> <p>Geschossübergang</p> <p>G1 ¹⁾* = 7.89 G ¹⁾ = 6.20 alpha 1 = 70° h * = 0.54 s = i ¹⁾* = 1°22' w =</p> <p>Lauf</p> <p>F ¹⁾* = 7.62 Z ¹⁾ = 7.82</p> <p>Züge</p> <p>b = 4.49 N = 4 u = 254.00 Q = 47.52 mm²</p>	
				
Maßstab 1:1.04 Maße in << mm >> Maße und Toleranzen für Messläufe siehe Anhang CR 1.		Bemerkungen: 1) Kontrolle aus Sicherheitsgründen 4) Verschlussabstand an Rand * Grundmaße		

C.I.P.	30-30 Win.		TAB.	II
	Ursprungsland: US		Datum	84-06-14
			Revision	02-05-15
	PATRONE MAXI		PATRONENLAGER MINI	
	<p>Längen</p> <p>L1 = 36.60 L2 = 39.69 L3 ¹⁾ = 51.80 L4 = L5 = L6 = 64.77</p> <p>Hülsenboden</p> <p>R ¹⁾ = 1.60 -0.25 R1 = 12.85 R3 = E = E1 = e min = delta = f = 0.38 beta = 35°</p> <p>Pulverkammer</p> <p>P1 = 10.71 P2 * = 10.19</p> <p>Schulterkonus</p> <p>alpha * = 31°18' S * = 54.79 r1 min = 4.57 r2 = 11.68</p> <p>Hülsenhals</p> <p>H1 * = 8.46 H2 ¹⁾ = 8.38</p> <p>Geschoss</p> <p>G1 ¹⁾ = 7.85 G2 = F = L3+G ¹⁾ = 53.25</p> <p>Drücke (Energien)</p> <p>Mech. elektr. Wandler</p> <p>Pmax = 3200 bar PK = 3680 bar PE = 4000 bar M = 25.00 EE = 2445 Joule</p> <p>Verschiedene Daten</p> <p>Fe ¹⁾ = 0.15 delta L =</p>		<p>Längen</p> <p>L1 = 36.95 L2 = 40.10 L3 ¹⁾ = 52.91</p> <p>Stoßboden</p> <p>R ¹⁾ = 1.60 R1 = 13.11 R2 = R3 = r =</p> <p>Pulverkammer</p> <p>E = P1 ¹⁾ = 10.75 P2 * = 10.24</p> <p>Schulterkonus</p> <p>alpha * = 31°18' S * = 55.23 r1 max = 4.57 r2 = 11.68</p> <p>Hülsenhals</p> <p>H1 * = 8.48 H2 ¹⁾ = 8.40</p> <p>Geschossübergang</p> <p>G1 ¹⁾* = 8.40 G ¹⁾ = 1.45 alpha 1 * = 30° h = s = i ¹⁾* = 15° w =</p> <p>Lauf</p> <p>F ¹⁾* = 7.62 Z ¹⁾ = 7.82</p> <p>Züge</p> <p>b = 2.39 N = 6 u = 305.00 Q = 47.06 mm²</p>	
				
Maßstab 1:1				
Maße in << mm >> Maße und Toleranzen für Messläufe siehe Anhang CR 1.		Bemerkungen: 1) Kontrolle aus Sicherheitsgründen * Grundmaße		

C.I.P.	30-40 Krag		TAB.	II
	Ursprungsland: US		Datum	84-06-14
			Revision	11-05-25
	PATRONE MAXI		PATRONENLAGER MINI	
	<p>Längen</p> <p>L1 = 43.82 L2 = 46.45 L3 ¹⁾ = 58.78 L4 = L5 = L6 = 78.46</p> <p>Hülsenboden</p> <p>R ¹⁾ = 1.63 -0.25 R1 = 13.84 R3 = E = E1 = e min = delta = f = 0.39 beta = 40°</p> <p>Pulverkammer</p> <p>P1 = 11.71 P2 * = 10.64</p> <p>Schulterkonus</p> <p>alpha * = 42°12' S * = 57.61 r1 min = 3.94 r2 = 4.06</p> <p>Hülsenhals</p> <p>H1 * = 8.61 H2 ¹⁾ = 8.59</p> <p>Geschoss</p> <p>G1 ¹⁾ = 7.85 G2 = F = L3+G ¹⁾ = 67.10</p> <p>Drücke (Energien)</p> <p>Mech. elektr. Wandler</p> <p>Pmax = 3250 bar PK = 3738 bar PE = 4060 bar M = 25.00 EE = 3750 Joule</p> <p>Verschiedene Daten</p> <p>Fe ¹⁾⁴⁾ = 0.15 delta L =</p>		<p>Längen</p> <p>L1 = 43.92 L2 = 46.56 L3 ¹⁾ = 58.98</p> <p>Stoßboden</p> <p>R ¹⁾ = 1.63 R1 = 14.10 R2 = R3 = r =</p> <p>Pulverkammer</p> <p>E = P1 ¹⁾ = 11.74 P2 * = 10.67</p> <p>Schulterkonus</p> <p>alpha * = 42°12' S * = 57.74 r1 max = 3.94 r2 = 4.57</p> <p>Hülsenhals</p> <p>H1 * = 8.63 H2 ¹⁾ = 8.61</p> <p>Geschossübergang</p> <p>G1 ¹⁾* = 7.89 G ¹⁾ = 8.32 alpha1 * = 24° h = 1.69 s = i ¹⁾* = 1°10' w =</p> <p>Lauf</p> <p>F ¹⁾* = 7.62 Z ¹⁾ = 7.82</p> <p>Züge</p> <p>b = 2.39 N = 6 u = 254.00 Q = 47.06 mm²</p>	
Maßstab 1:1.01 Maße in << mm >> Maße und Toleranzen für Messläufe siehe Anhang CR 1.		Bemerkungen: 1) Kontrolle aus Sicherheitsgründen 4) Verschlussabstand an Rand * Grundmaße		

C.I.P.	300/295 Rook Rifle		TAB.	II
	Ursprungsland: GB		Datum	84-06-14
			Revision	11-05-25
	PATRONE MAXI		PATRONENLAGER MINI	
	<p>Längen</p> <p>L1 =</p> <p>L2 =</p> <p>L3 ¹⁾ = 29.97</p> <p>L4 =</p> <p>L5 =</p> <p>L6 = 36.83</p> <p>Hülsenboden</p> <p>R ¹⁾ = 1.14 -0.25</p> <p>R1 = 9.52</p> <p>R3 =</p> <p>E =</p> <p>E1 =</p> <p>e min =</p> <p>δ =</p> <p>f =</p> <p>β =</p> <p>Pulverkammer</p> <p>P1 = 8.10</p> <p>P2 =</p> <p>Schulterkonus</p> <p>α =</p> <p>S =</p> <p>r1 min =</p> <p>r2 =</p> <p>Hülsenhals</p> <p>H1 =</p> <p>H2 ¹⁾ = 8.08</p> <p>Geschoss</p> <p>G1 ¹⁾ = 7.65</p> <p>G2 =</p> <p>F =</p> <p>L3+G ¹⁾ = 34.97</p> <p>Drücke (Energien)</p> <p>Mech. elektr. Wandler</p> <p>Pmax = 1200 bar</p> <p>PK = 1380 bar</p> <p>PE = 1500 bar</p> <p>M = 17.50</p> <p>EE = 375 Joule</p> <p>Verschiedene Daten</p> <p>Fe ¹⁾⁴⁾ = 0.15</p> <p>delta L =</p>		<p>Längen</p> <p>L1 =</p> <p>L2 =</p> <p>L3 ¹⁾ = 30.23</p> <p>Stoßboden</p> <p>R ¹⁾ = 1.17</p> <p>R1 = 9.65</p> <p>R2 =</p> <p>R3 =</p> <p>r =</p> <p>Pulverkammer</p> <p>E =</p> <p>P1 ¹⁾ = 8.13</p> <p>P2 =</p> <p>Schulterkonus</p> <p>α =</p> <p>S =</p> <p>r1 max =</p> <p>r2 =</p> <p>Hülsenhals</p> <p>H1 =</p> <p>H2 ¹⁾ = 8.10</p> <p>Geschossübergang</p> <p>G1 ¹⁾* = 7.65</p> <p>G ¹⁾* = 5.00</p> <p>α1 = 180°</p> <p>h =</p> <p>s =</p> <p>i ¹⁾ = 1°25'55"</p> <p>w =</p> <p>Lauf</p> <p>F ¹⁾* = 7.40</p> <p>Z ¹⁾ = 7.62</p> <p>Züge</p> <p>b =</p> <p>N =</p> <p>u = 508.00</p> <p>Q = 43.01 mm²</p>	
				
Maßstab 1.65:1 Maße in << mm >> Maße und Toleranzen für Messläufe siehe Anhang CR 1.		Bemerkungen: 1) Kontrolle aus Sicherheitsgründen 4) Verschlussabstand an Rand * Grundmaße		

C.I.P.	300 Sherwood		TAB.	II
	Ursprungsland: GB		Datum	84-06-14
			Revision	02-05-15
	PATRONE MAXI		PATRONENLAGER MINI	
	Längen L1 = L2 = L3 ¹⁾ = 39.37 L4 = L5 = L6 = 51.82 Hülsenboden R ¹⁾ = 1.27 -0.25 R1 = 9.52 R3 = E = E1 = e min = δ = f = β = Pulverkammer P1 = 8.13 P2 = Schulterkonus α = S = r1 min = r2 = Hülsenhals H1 = H2 ¹⁾ = 8.08 Geschoss G1 ¹⁾ = 7.62 G2 = F = L3+G ¹⁾ = 43.81 Drücke (Energien) Mech. elektr. Wandler Pmax = 1400 bar PK = 1610 bar PE = 1750 bar M = 25.00 EE = 930 Joule Verschiedene Daten Fe ¹⁾ = 0.15 delta L =		Längen L1 = L2 = L3 ¹⁾ = 39.62 Stoßboden R ¹⁾ = 1.30 R1 = 9.65 R2 = R3 = r = Pulverkammer E = P1 ¹⁾ = 8.15 P2 = Schulterkonus α = S = r1 max = r2 = Hülsenhals H1 = H2 ¹⁾ = 8.10 Geschossübergang G1 ¹⁾ * = 7.62 G ¹⁾ * = 4.44 α1 = 180° h = s = i ¹⁾ = 1°25'09" w = Lauf F ¹⁾ * = 7.40 Z ¹⁾ = 7.62 Züge b = N = u = 508.00 Q = 43.01 mm ²	
				
	Maßstab 1.5:1 Maße in << mm >> Maße und Toleranzen für Messläufe siehe Anhang CR 1.		Bemerkungen: 1) Kontrolle aus Sicherheitsgründen * Grundmaße	

C.I.P.	303 British Ursprungsland: GB	TAB.	II
		Datum	84-06-14
		Revision	08-09-23
	PATRONE MAXI	PATRONENLAGER MINI	
	<p>Längen</p> <p>L1 * = 45.47 L2 * = 48.01 L3 ¹⁾ = 56.44 L4 = L5 = L6 = 78.11</p> <p>Hülsenboden</p> <p>R ¹⁾ = 1.63 -0.25 R1 = 13.72 R3 = E = E1 = e min = delta = f = 0.40 beta = 45°</p> <p>Pulverkammer</p> <p>P1 = 11.68 P2 * = 10.19</p> <p>Schulterkonus</p> <p>alpha = 33°56'9" S = 62.17 r1 min = 2.29 r2 = 2.29</p> <p>Hülsenhals</p> <p>H1 * = 8.64 H2 ¹⁾ = 8.59</p> <p>Geschoss</p> <p>G1 ¹⁾ = 7.92 G2 = F = L3+G ¹⁾ = 71.07</p> <p>Drücke (Energien)</p> <p>Mech. elektr. Wandler</p> <p>Pmax = 3650 bar PK = 4198 bar PE = 4560 bar M = 25.00 EE = 2910 Joule</p> <p>Verschiedene Daten</p> <p>Fe ¹⁾⁴⁾ = 0.15 delta L =</p>	<p>Längen</p> <p>L1 * = 46.04 L2 * = 48.06 L3 ¹⁾ = 56.44</p> <p>Stoßboden</p> <p>R ¹⁾ = 1.63 R1 = 13.97 R2 = R3 = r =</p> <p>Pulverkammer</p> <p>E = P1 ¹⁾ = 11.74 P2 * = 10.25</p> <p>Schulterkonus</p> <p>alpha = 40°29'21" S = 59.94 r1 max = r2 =</p> <p>Hülsenhals</p> <p>H1 * = 8.76 H2 ¹⁾ = 8.66</p> <p>Geschossübergang</p> <p>G1 ¹⁾* = 7.93 G ¹⁾* = 14.63 alpha1 = 19° h * = 2.18 s = i ¹⁾ = 0°31'45" w =</p> <p>Lauf</p> <p>F ¹⁾* = 7.70 Z ¹⁾ = 7.98</p> <p>Züge</p> <p>b = 2.12 N = 5 u = 254.00 Q = 48.07 mm²</p>	
	<p>Maßstab 1:1.07</p> <p style="text-align: center;">Maße in << mm >> Maße und Toleranzen für Messläufe siehe Anhang CR 1.</p>		
<p>Bemerkungen:</p>		<p>1) Kontrolle aus Sicherheitsgründen 4) Verschlussabstand an Rand * Grundmaße</p>	

C.I.P.	303 Savage	TAB.	II
		Datum	84-06-14
		Revision	11-05-25
Ursprungsland: US			
	PATRONE MAXI	PATRONENLAGER MINI	
	Längen L1 = 34.33 L2 = 37.54 L3 ¹⁾ = 51.18 L4 = L5 = L6 = 64.01 Hülsenboden R ¹⁾ = 1.60 -0.25 R1 = 12.83 R3 = E = E1 = e min = delta = f = 0.38 beta = 35° Pulverkammer P1 = 11.23 P2 * = 10.50 Schulterkonus alpha * = 32° S * = 52.64 r1 min = 0.76 r2 = 2.54 Hülsenhals H1 * = 8.66 H2 ¹⁾ = 8.44 Geschoss G1 ¹⁾ = 7.90 G2 = F = L3+G ¹⁾ = 57.94 Drücke (Energien) Mech. elektr. Wandler Pmax = 2700 bar PK = 3105 bar PE = 3375 bar M = 25.00 EE = 2455 Joule Verschiedene Daten Fe ¹⁾⁴⁾ = 0.15 delta L =	Längen L1 = 34.34 L2 = 37.65 L3 ¹⁾ = 52.65 Stoßboden R ¹⁾ = 1.60 R1 = 13.08 R2 = R3 = r = Pulverkammer E = 1.60 P1 ¹⁾ = 11.33 P2 * = 10.64 Schulterkonus alpha * = 32° S * = 52.89 r1 max = 0.76 r2 = 5.08 Hülsenhals H1 * = 8.74 H2 ¹⁾ = 8.55 Geschossübergang G1 ¹⁾ * = 7.92 G ¹⁾ = 6.76 alpha1 * = 101°34' h = 0.26 s = i ¹⁾ * = 1°19'20" w = Lauf F ¹⁾ * = 7.62 Z ¹⁾ = 7.82 Züge b = 2.54 N = 6 u = 254.00 Q = 47.16 mm ²	
Maßstab 1.1:1 Maße in << mm >> Maße und Toleranzen für Messläufe siehe Anhang CR 1.		Bemerkungen: 1) Kontrolle aus Sicherheitsgründen 4) Verschlussabstand an Rand * Grundmaße	

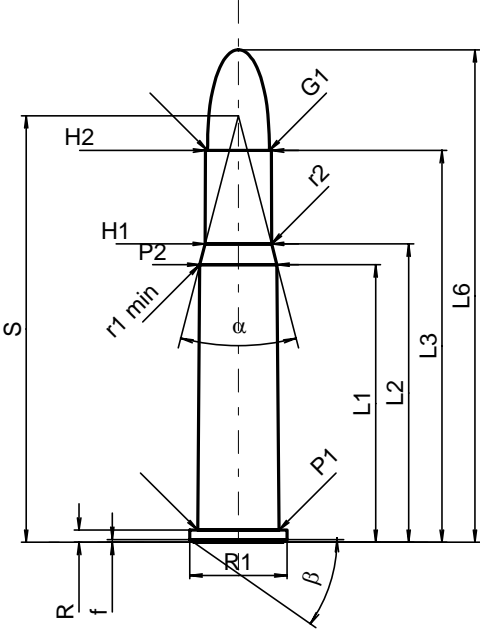
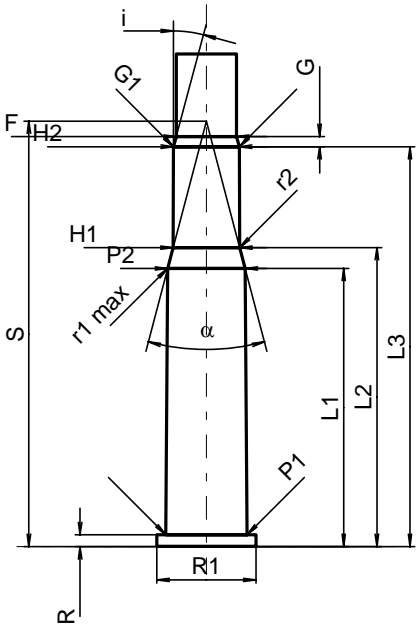
C.I.P.	303 Sporting		TAB.	II
	Ursprungsland: FR		Datum	00-11-13
			Revision	02-05-15
	PATRONE MAXI		PATRONENLAGER MINI	
	<p>Längen</p> <p>L1* = 41.85 L2* = 44.39 L3¹⁾ = 52.82 L4 = L5 = L6 = 74.49</p> <p>Hülsenboden</p> <p>R¹⁾ = 1.63 -0.25 R1 = 13.92 R3 = E = E1 = e min = delta = f = 0.40 beta = 45°</p> <p>Pulverkammer</p> <p>P1 = 11.70 P2* = 10.19</p> <p>Schulterkonus</p> <p>alpha = 33°56'09" S = 58.55 r1 min = 2.29 r2 = 2.29</p> <p>Hülsenhals</p> <p>H1* = 8.64 H2¹⁾ = 8.59</p> <p>Geschoss</p> <p>G1¹⁾ = 7.92 G2 = F = L3+G¹⁾ = 67.45</p> <p>Drücke (Energien)</p> <p>Mech. elektr. Wandler</p> <p>Pmax = 3300 bar PK = 3795 bar PE = 4125 bar M = 25.00 EE = 2800 Joule</p> <p>Verschiedene Daten</p> <p>Fe¹⁾ = 0.15 delta L =</p>		<p>Längen</p> <p>L1* = 42.42 L2* = 44.44 L3¹⁾ = 52.82</p> <p>Stoßboden</p> <p>R¹⁾ = 1.63 R1 = 13.97 R2 = R3 = r =</p> <p>Pulverkammer</p> <p>E = P1¹⁾ = 11.74 P2* = 10.25</p> <p>Schulterkonus</p> <p>alpha = 40°29'21" S = 56.32 r1 max = r2 =</p> <p>Hülsenhals</p> <p>H1* = 8.76 H2¹⁾ = 8.66</p> <p>Geschossübergang</p> <p>G1¹⁾* = 7.93 G¹⁾* = 14.63 alpha1 = 19°00'36" h* = 2.18 s = i¹⁾ = 0°31'45" w =</p> <p>Lauf</p> <p>F¹⁾* = 7.70 Z¹⁾ = 7.98</p> <p>Züge</p> <p>b = 2.12 N = 5 u = 254.00 Q = 48.07 mm²</p>	
<p>Maßstab 1:1</p> <p>Maße in << mm >> Maße und Toleranzen für Messläufe siehe Anhang R 1.</p>		<p>Bemerkungen: 1) Kontrolle aus Sicherheitsgründen * Grundmaße</p>		

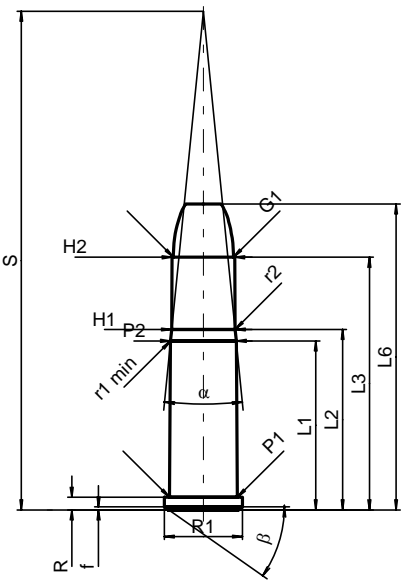
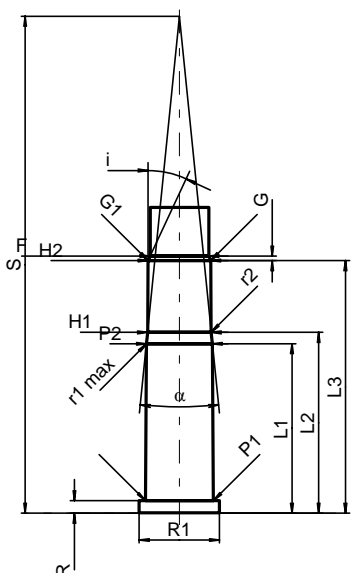
C.I.P.	307 Win.		TAB.	II
			Datum	84-06-14
	Ursprungsland: US		Revision	13-05-22
	PATRONE MAXI		PATRONENLAGER MINI	
	<p>Längen</p> <p>L1 = 39.62 L2 = 43.48 L3 ¹⁾ = 51.18 L4 = L5 = L6 = 65.02</p> <p>Hülsenboden</p> <p>R ¹⁾ = 1.60 -0.25 R1 = 12.85 R3 = E = 3.72 E1 = 10.41 e min = 0.46 delta = 25° f = 0.38 beta = 35°</p> <p>Pulverkammer</p> <p>P1 = 11.96 P2 * = 11.53</p> <p>Schulterkonus</p> <p>alpha * = 40° S * = 55.46 r1 min = 0.76 r2 = 3.18</p> <p>Hülsenhals</p> <p>H1 * = 8.72 H2 ¹⁾ = 8.72</p> <p>Geschoss</p> <p>G1 ¹⁾ = 7.85 G2 = F = L3+G ¹⁾ = 58.16</p> <p>Drücke (Energien)</p> <p>Mech. elektr. Wandler</p> <p>Pmax = 4150 bar PK = 4773 bar PE = 5190 bar M = 25.00 EE = 2825 Joule</p> <p>Verschiedene Daten</p> <p>Fe ¹⁾⁴⁾ = 0.10 delta L =</p>		<p>Längen</p> <p>L1 = 39.68 L2 = 43.48 L3 ¹⁾ = 51.44</p> <p>Stoßboden</p> <p>R ¹⁾ = 1.60 R1 = 12.88 R2 = R3 = r =</p> <p>Pulverkammer</p> <p>E = 3.72 P1 ¹⁾ = 12.01 P2 * = 11.56</p> <p>Schulterkonus</p> <p>alpha * = 40° S * = 55.56 r1 max = 0.76 r2 = 3.68</p> <p>Hülsenhals</p> <p>H1 * = 8.79 H2 ¹⁾ = 8.74</p> <p>Geschossübergang</p> <p>G1 ¹⁾* = 7.87 G ¹⁾ = 6.98 alpha l = 70° h = 0.62 s * = 2.89 i ¹⁾* = 1°45' w =</p> <p>Lauf</p> <p>F ¹⁾* = 7.62 Z ¹⁾ = 7.82</p> <p>Züge</p> <p>b = 4.47 N = 4 u = 305.00 Q = 47.51 mm²</p>	
Maßstab 1.1:1 Maße in << mm >> Maße und Toleranzen für Messläufe siehe Anhang CR 1.		Bemerkungen: 1) Kontrolle aus Sicherheitsgründen 4) Verschlussabstand an Rand * Grundmaße		

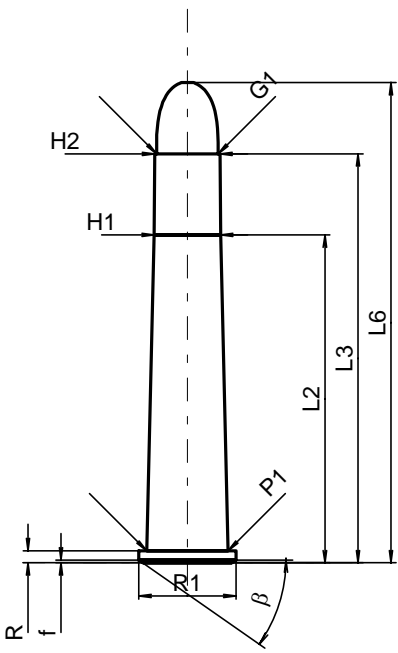
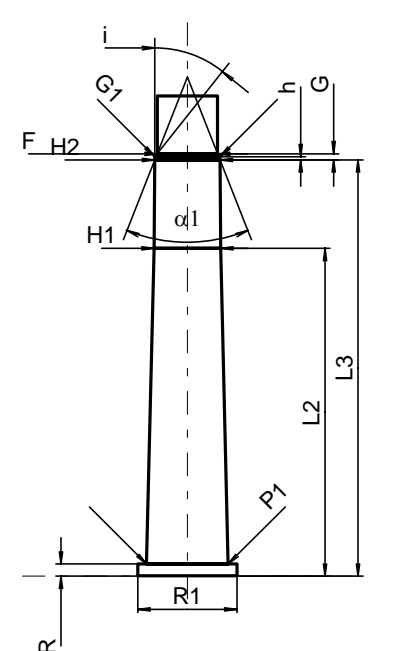
C.I.P.	308 Marlin Express	TAB.	II
		Datum	09-05-05
		Revision	
Ursprungsland: US			
	PATRONE MAXI	PATRONENLAGER MINI	
	<p>Längen</p> <p>L1 ¹⁾ = 37.08 -0.20 L2 ¹⁾ = 41.16 -0.20 L3 ¹⁾ = 48.77 L4 = L5 = L6 = 66.04</p> <p>Hülsenboden</p> <p>R = 1.60 R1 = 12.85 R3 = E = 3.72 E1 = 10.41 e min = 0.46 delta = 25° f = 0.38 beta = 35°</p> <p>Pulverkammer</p> <p>P1 = 11.96 P2 ¹⁾* = 11.53 -0.20</p> <p>Schulterkonus</p> <p>alpha * = 40° S * = 52.92 r1 min = 0.76 r2 = 2.54</p> <p>Hülsenhals</p> <p>H1 * = 8.56 H2 ¹⁾ = 8.56</p> <p>Geschoss</p> <p>G1 ¹⁾ = 7.84 G2 = F = L3+G ¹⁾ = 55.89</p> <p>Drücke (Energien)</p> <p>Mech. elektr. Wandler</p> <p>Pmax = 3300 bar PK = 3795 bar PE = 4125 bar M = 25.00 EE = 3400 Joule</p> <p>Verschiedene Daten</p> <p>Fe ¹⁾³⁾ = 0.15 delta L =</p>	<p>Längen</p> <p>L1 = 37.13 L2 = 41.18 L3 ¹⁾ = 49.02</p> <p>Stoßboden</p> <p>R = 2.16 R1 = 12.88 R2 = R3 = r =</p> <p>Pulverkammer</p> <p>E = P1 ¹⁾ = 12.01 P2 * = 11.56</p> <p>Schulterkonus</p> <p>alpha ¹⁾* = 40° S * = 53.00 r1 max = 0.76 r2 = 3.18</p> <p>Hülsenhals</p> <p>H1 * = 8.61 H2 ¹⁾ = 8.59</p> <p>Geschossübergang</p> <p>G1 ¹⁾* = 7.84 G ¹⁾ = 7.12 alpha1 = 90° h = 0.38 s * = 2.92 i ¹⁾* = 1°30' w =</p> <p>Lauf</p> <p>F ¹⁾* = 7.62 Z ¹⁾ = 7.82</p> <p>Züge</p> <p>b = 2.39 N = 6 u = 305.00 Q = 47.06 mm²</p>	
<p>Maßstab 1.1:1</p> <p>Maße in << mm >> Maße und Toleranzen für Messläufe siehe Anhang CR 1.</p>		<p>Bemerkungen: 1) Kontrolle aus Sicherheitsgründen 3) Verschlussabstand an Schulter * Grundmaße</p>	

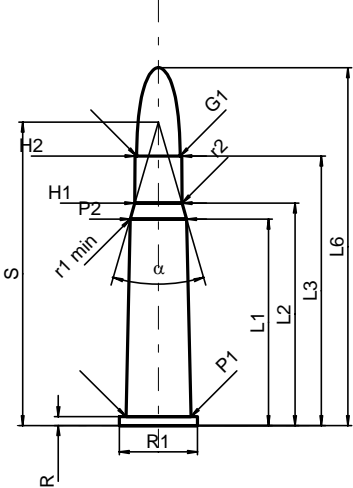
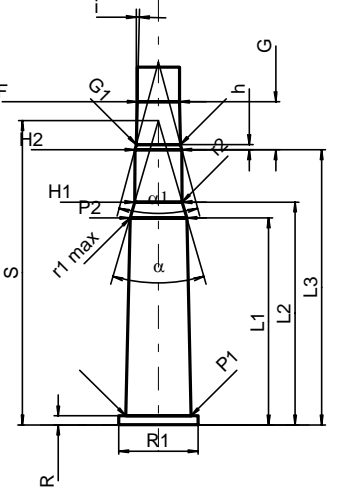
C.I.P.	310 Cadet Rifle		TAB.	II
	Ursprungsland: GB		Datum	84-06-14
			Revision	02-05-15
	PATRONE MAXI		PATRONENLAGER MINI	
	<p>Längen</p> <p>L1 =</p> <p>L2 =</p> <p>L3 ¹⁾ = 28.45</p> <p>L4 =</p> <p>L5 =</p> <p>L6 = 40.64</p> <p>Hülsenboden</p> <p>R ¹⁾ = 1.09 -0.25</p> <p>R1 = 10.41</p> <p>R3 =</p> <p>E =</p> <p>E1 =</p> <p>e min =</p> <p>δ =</p> <p>f =</p> <p>β =</p> <p>Pulverkammer</p> <p>P1 = 9.02</p> <p>P2 =</p> <p>Schulterkonus</p> <p>α =</p> <p>S =</p> <p>r1 min =</p> <p>r2 =</p> <p>Hülsenhals</p> <p>H1 =</p> <p>H2 ¹⁾ = 8.31</p> <p>Geschoss</p> <p>G1 ¹⁾ = 8.20</p> <p>G2 =</p> <p>F =</p> <p>L3+G ¹⁾ = 35.20</p> <p>Drücke (Energien)</p> <p>Mech. elektr. Wandler</p> <p>Pmax = 1100 bar</p> <p>PK = 1265 bar</p> <p>PE = 1375 bar</p> <p>M = 17.50</p> <p>EE = 680 Joule</p> <p>Verschiedene Daten</p> <p>Fe ¹⁾ = 0.15</p> <p>delta L =</p>		<p>Längen</p> <p>L1 =</p> <p>L2 =</p> <p>L3 ¹⁾ = 28.70</p> <p>Stoßboden</p> <p>R ¹⁾ = 1.12</p> <p>R1 = 10.54</p> <p>R2 =</p> <p>R3 =</p> <p>r =</p> <p>Pulverkammer</p> <p>E =</p> <p>P1 ¹⁾ = 9.04</p> <p>P2 =</p> <p>Schulterkonus</p> <p>α =</p> <p>S =</p> <p>r1 max =</p> <p>r2 =</p> <p>Hülsenhals</p> <p>H1 =</p> <p>H2 ¹⁾ = 8.33</p> <p>Geschossübergang</p> <p>G1 ¹⁾* = 8.25</p> <p>G ¹⁾* = 6.75</p> <p>α1 = 180°</p> <p>h =</p> <p>s =</p> <p>i ¹⁾ = 1°29'06"</p> <p>w =</p> <p>Lauf</p> <p>F ¹⁾* = 7.90</p> <p>Z ¹⁾ = 8.18</p> <p>Züge</p> <p>b =</p> <p>N =</p> <p>u = 508.00</p> <p>Q = 49.02 mm²</p>	
Maßstab 1.5:1 Maße in << mm >> Maße und Toleranzen für Messläufe siehe Anhang CR 1.		Bemerkungen: 1) Kontrolle aus Sicherheitsgründen * Grundmaße		

C.I.P.	32 Win. SL		TAB.	II
	Ursprungsland: US		Datum	84-06-14
			Revision	02-05-15
	PATRONE MAXI		PATRONENLAGER MINI	
	<p>Längen</p> <p>L1 =</p> <p>L2 =</p> <p>L3¹⁾ = 32.77</p> <p>L4 =</p> <p>L5 =</p> <p>L6 = 47.75</p> <p>Hülsenboden</p> <p>R¹⁾ = 1.27 -0.25</p> <p>R1 = 9.91</p> <p>R3 =</p> <p>E = 3.49</p> <p>E1 = 8.64</p> <p>e min =</p> <p>δ = 3°44'24"</p> <p>f =</p> <p>β =</p> <p>Pulverkammer</p> <p>P1 = 8.93</p> <p>P2 =</p> <p>Schulterkonus</p> <p>α =</p> <p>S =</p> <p>r1 min =</p> <p>r2 =</p> <p>Hülsenhals</p> <p>H1 =</p> <p>H2¹⁾ = 8.81</p> <p>Geschoss</p> <p>G1¹⁾ = 8.18</p> <p>G2 =</p> <p>F =</p> <p>L3+G¹⁾ = 42.22</p> <p>Drücke (Energien)</p> <p>Mech. elektr. Wandler</p> <p>Pmax = 1550 bar</p> <p>PK = 1783 bar</p> <p>PE = 1940 bar</p> <p>M = 17.50</p> <p>EE = 1080 Joule</p> <p>Verschiedene Daten</p> <p>Fe¹⁾ = 0.15</p> <p>delta L =</p>		<p>Längen</p> <p>L1 =</p> <p>L2 =</p> <p>L3¹⁾ = 33.60</p> <p>Stoßboden</p> <p>R¹⁾ = 1.27</p> <p>R1 = 10.41</p> <p>R2 =</p> <p>R3 =</p> <p>r =</p> <p>Pulverkammer</p> <p>E =</p> <p>P1¹⁾ = 9.05</p> <p>P2 =</p> <p>Schulterkonus</p> <p>α =</p> <p>S =</p> <p>r1 max =</p> <p>r2 =</p> <p>Hülsenhals</p> <p>H1 =</p> <p>H2¹⁾ = 8.88</p> <p>Geschossübergang</p> <p>G1¹⁾* = 8.19</p> <p>G¹⁾ = 9.45</p> <p>α1* = 180°</p> <p>h =</p> <p>s =</p> <p>i¹⁾* = 0°34'33"</p> <p>w =</p> <p>Lauf</p> <p>F¹⁾* = 8.00</p> <p>Z¹⁾ = 8.13</p> <p>Züge</p> <p>b = 2.51</p> <p>N = 6</p> <p>u = 406.00</p> <p>Q = 51.26 mm²</p>	
<p>Maßstab 1.5:1</p> <p>Maße in << mm >></p> <p>Maße und Toleranzen für Messläufe siehe Anhang CR 1.</p>		<p>Bemerkungen: 1) Kontrolle aus Sicherheitsgründen * Grundmaße</p>		

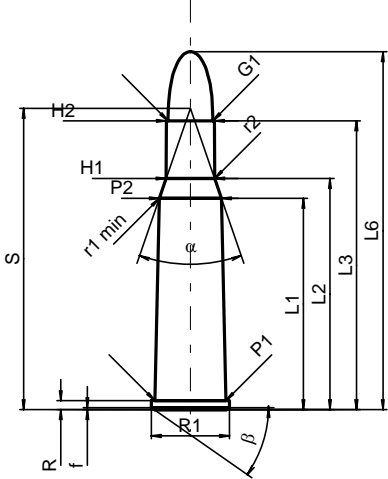
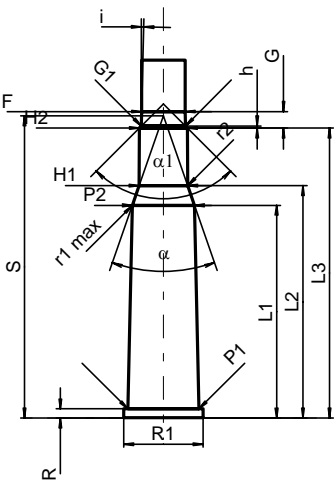
C.I.P.	32 Win. Spec.		TAB.	II
	Ursprungsland: US		Datum	84-06-14
			Revision	06-06-23
	PATRONE MAXI		PATRONENLAGER MINI	
	<p>Längen</p> <p>L1 = 36.72 L2 = 39.47 L3 ¹⁾ = 51.82 L4 = L5 = L6 = 65.15</p> <p>Hülsenboden</p> <p>R ¹⁾ = 1.60 -0.25 R1 = 12.85 R3 = E = E1 = e min = delta = f = 0.38 beta = 35°</p> <p>Pulverkammer</p> <p>P1 = 10.72 P2 * = 10.20</p> <p>Schulterkonus</p> <p>alpha * = 29°2' S * = 56.42 r1 min = 3.81 r2 = 7.62</p> <p>Hülsenhals</p> <p>H1 * = 8.78 H2 ¹⁾ = 8.71</p> <p>Geschoss</p> <p>G1 ¹⁾ = 8.18 G2 = F = L3+G ¹⁾ = 53.16</p> <p>Drücke (Energien)</p> <p>Mech. elektr. Wandler</p> <p>Pmax = 3050 bar PK = 3508 bar PE = 3810 bar M = 25.00 EE = 2370 Joule</p> <p>Verschiedene Daten</p> <p>Fe ¹⁾ = 0.15 delta L =</p>		<p>Längen</p> <p>L1 = 36.82 L2 = 39.56 L3 ¹⁾ = 52.91</p> <p>Stoßboden</p> <p>R ¹⁾ = 1.60 R1 = 13.11 R2 = R3 = r =</p> <p>Pulverkammer</p> <p>E = P1 ¹⁾ = 10.74 P2 * = 10.24</p> <p>Schulterkonus</p> <p>alpha * = 29°28' S * = 56.29 r1 max = 3.81 r2 = 7.62</p> <p>Hülsenhals</p> <p>H1 * = 8.80 H2 ¹⁾ = 8.72</p> <p>Geschossübergang</p> <p>G1 ¹⁾* = 8.72 G ¹⁾ = 1.34 alpha 1 * = h = s = i ¹⁾* = 15° w =</p> <p>Lauf</p> <p>F ¹⁾* = 8.00 Z ¹⁾ = 8.13</p> <p>Züge</p> <p>b = 2.69 N = 6 u = 406.00 Q = 51.33 mm²</p>	
				
Maßstab 1:1				
Maße in << mm >> Maße und Toleranzen für Messläufe siehe Anhang CR 1.	Bemerkungen: 1) Kontrolle aus Sicherheitsgründen * Grundmaße			

C.I.P.	32-20 Win.		TAB.	II
	Ursprungsland: US		Datum	84-06-14
			Revision	02-05-15
	PATRONE MAXI		PATRONENLAGER MINI	
	<p>Längen</p> <p>L1 = 22.35 L2 = 23.85 L3 ¹⁾ = 33.40 L4 = L5 = L6 = 40.44</p> <p>Hülsenboden</p> <p>R ¹⁾ = 1.65 -0.25 R1 = 10.36 R3 = E = E1 = e min = delta = f = 0.38 beta = 35°</p> <p>Pulverkammer</p> <p>P1 = 8.98 P2 * = 8.70</p> <p>Schulterkonus</p> <p>alpha * = 11°24' S * = 65.93 r1 min = 0.76 r2 = 2.54</p> <p>Hülsenhals</p> <p>H1 * = 8.40 H2 ¹⁾ = 8.30</p> <p>Geschoss</p> <p>G1 ¹⁾ = 7.94 G2 = F = L3+G ¹⁾ = 34.00</p> <p>Drücke (Energien)</p> <p>Mech. elektr. Wandler</p> <p>Pmax = 2100 bar PK = 2415 bar PE = 2625 bar M = 17.50 EE = 1560 Joule</p> <p>Verschiedene Daten</p> <p>Fe ¹⁾ = 0.15 delta L =</p>		<p>Längen</p> <p>L1 = 22.42 L2 = 23.91 L3 ¹⁾ = 33.40</p> <p>Stoßboden</p> <p>R ¹⁾ = 1.65 R1 = 10.62 R2 = R3 = r =</p> <p>Pulverkammer</p> <p>E = P1 ¹⁾ = 9.00 P2 * = 8.72</p> <p>Schulterkonus</p> <p>alpha * = 11°30' S * = 65.72 r1 max = 0.76 r2 = 8.13</p> <p>Hülsenhals</p> <p>H1 * = 8.42 H2 ¹⁾ = 8.31</p> <p>Geschossübergang</p> <p>G1 ¹⁾* = 8.31 G ¹⁾ = 0.60 alpha 1 = h = s = i ¹⁾* = 25° w =</p> <p>Lauf</p> <p>F ¹⁾* = 7.75 Z ¹⁾ = 7.90</p> <p>Züge</p> <p>b = 2.43 N = 6 u = 508.00 Q = 48.28 mm²</p>	
	Maßstab 1:1			
	<p>Maße in << mm >> Maße und Toleranzen für Messläufe siehe Anhang CR 1.</p>		<p>Bemerkungen: 1) Kontrolle aus Sicherheitsgründen * Grundmaße</p>	

C.I.P.	32-40 Win.		TAB.	II
	Ursprungsland: US		Datum	84-06-14
			Revision	02-05-15
	PATRONE MAXI		PATRONENLAGER MINI	
	<p>Längen</p> <p>L1 =</p> <p>L2 = 43.38</p> <p>L3¹⁾ = 54.10</p> <p>L4 =</p> <p>L5 =</p> <p>L6 = 63.50</p> <p>Hülsenboden</p> <p>R¹⁾ = 1.60 -0.25</p> <p>R1 = 12.85</p> <p>R3 =</p> <p>E =</p> <p>E1 =</p> <p>e min =</p> <p>delta =</p> <p>f = 0.38</p> <p>beta = 35°</p> <p>Pulverkammer</p> <p>P1 = 10.77</p> <p>P2 =</p> <p>Schulterkonus</p> <p>alpha =</p> <p>S =</p> <p>r1 min =</p> <p>r2 =</p> <p>Hülsenhals</p> <p>H1* = 8.78</p> <p>H2¹⁾ = 8.61</p> <p>Geschoss</p> <p>G1¹⁾ = 8.15</p> <p>G2 =</p> <p>F =</p> <p>L3+G¹⁾ = 54.89</p> <p>Drücke (Energien)</p> <p>Mech. elektr. Wandler</p> <p>Pmax = 2350 bar</p> <p>PK = 2703 bar</p> <p>PE = 2940 bar</p> <p>M = 25.00</p> <p>EE = 1105 Joule</p> <p>Verschiedene Daten</p> <p>Fe¹⁾ = 0.15</p> <p>delta L =</p>		<p>Längen</p> <p>L1 =</p> <p>L2 = 43.38</p> <p>L3¹⁾ = 55.07</p> <p>Stoßboden</p> <p>R¹⁾ = 1.60</p> <p>R1 = 13.11</p> <p>R2 =</p> <p>R3 =</p> <p>r =</p> <p>Pulverkammer</p> <p>E =</p> <p>P1¹⁾ = 10.79</p> <p>P2 =</p> <p>Schulterkonus</p> <p>alpha =</p> <p>S =</p> <p>r1 max =</p> <p>r2 =</p> <p>Hülsenhals</p> <p>H1* = 8.81</p> <p>H2¹⁾ = 8.62</p> <p>Geschossübergang</p> <p>G1^{1)*} = 8.62</p> <p>G¹⁾ = 0.79</p> <p>alpha1* = 43°</p> <p>h = 0.40</p> <p>s =</p> <p>i^{1)*} = 21°30'</p> <p>w =</p> <p>Lauf</p> <p>F^{1)*} = 8.00</p> <p>Z¹⁾ = 8.13</p> <p>Züge</p> <p>b = 2.51</p> <p>N = 6</p> <p>u = 406.00</p> <p>Q = 51.26 mm²</p>	
	<p>Maßstab 1:1</p> <p>Maße in << mm >></p> <p>Maße und Toleranzen für Messläufe siehe Anhang CR 1.</p>		<p>Bemerkungen: 1) Kontrolle aus Sicherheitsgründen * Grundmaße</p>	

C.I.P.	33 Win.		TAB.	II
	Ursprungsland: US		Datum	84-06-14
			Revision	02-05-15
	PATRONE MAXI		PATRONENLAGER MINI	
	<p>Längen</p> <p>L1 = 40.96 L2 = 44.10 L3 ¹⁾ = 53.47 L4 = L5 = L6 = 70.99</p> <p>Hülsenboden</p> <p>R ¹⁾ = 1.78 -0.25 R1 = 15.49 R3 = E = E1 = e min = delta = f = beta =</p> <p>Pulverkammer</p> <p>P1 = 12.90 P2 * = 11.20</p> <p>Schulterkonus</p> <p>alpha * = 32°30' S * = 60.17 r1 min = 7.62 r2 = 5.20</p> <p>Hülsenhals</p> <p>H1 * = 9.37 H2 ¹⁾ = 9.29</p> <p>Geschoss</p> <p>G1 ¹⁾ = 8.60 G2 = F = L3+G ¹⁾ = 62.97</p> <p>Drücke (Energien)</p> <p>Mech. elektr. Wandler</p> <p>Pmax = 3050 bar PK = 3508 bar PE = 3810 bar M = 25.00 EE = 4015 Joule</p> <p>Verschiedene Daten</p> <p>Fe ¹⁾ = 0.15 delta L =</p>		<p>Längen</p> <p>L1 = 41.05 L2 = 44.21 L3 ¹⁾ = 54.61</p> <p>Stoßboden</p> <p>R ¹⁾ = 1.78 R1 = 15.75 R2 = R3 = r =</p> <p>Pulverkammer</p> <p>E = P1 ¹⁾ = 12.97 P2 * = 11.26</p> <p>Schulterkonus</p> <p>alpha * = 32°30' S * = 60.37 r1 max = 7.62 r2 = 5.08</p> <p>Hülsenhals</p> <p>H1 * = 9.42 H2 ¹⁾ = 9.31</p> <p>Geschossübergang</p> <p>G1 ¹⁾* = 8.78 G ¹⁾ = 9.50 alpha 1 * = 30° h = 0.99 s = i ¹⁾* = 1°20'47" w =</p> <p>Lauf</p> <p>F ¹⁾* = 8.38 Z ¹⁾ = 8.59</p> <p>Züge</p> <p>b = 2.79 N = 6 u = 305.00 Q = 56.94 mm²</p>	
	<p>Maßstab 1:1.5</p> <p>Maße in << mm >> Maße und Toleranzen für Messläufe siehe Anhang CR 1.</p>			
		<p>Bemerkungen: 1) Kontrolle aus Sicherheitsgründen * Grundmaße</p>		

C.I.P.	338 Marlin Express	TAB.	II
		Datum	10-05-26
		Revision	
Ursprungsland: US			
	PATRONE MAXI	PATRONENLAGER MINI	
	<p>Längen</p> <p>L1 = 37.03 -0.20</p> <p>L2 = 40.43 -0.20</p> <p>L3 ¹⁾ = 48.01</p> <p>L4 =</p> <p>L5 =</p> <p>L6 = 62.23</p> <p>Hülsenboden</p> <p>R ¹⁾ = 1.27</p> <p>R1 = 14.05</p> <p>R3 =</p> <p>E = 3.37</p> <p>E1 = 11.20</p> <p>e min = 0.94</p> <p>delta = 36°</p> <p>f = 0.86</p> <p>beta = 35°</p> <p>Pulverkammer</p> <p>P1 = 12.89</p> <p>P2 * = 12.52 -0.20</p> <p>Schulterkonus</p> <p>alpha * = 50°</p> <p>S * = 50.46</p> <p>r1 min = 1.02</p> <p>r2 = 3.18</p> <p>Hülsenhals</p> <p>H1 * = 9.35</p> <p>H2 ¹⁾ = 9.35</p> <p>Geschoss</p> <p>G1 ¹⁾ = 8.60</p> <p>G2 =</p> <p>F =</p> <p>L3+G ¹⁾ = 55.34</p> <p>Drücke (Energien)</p> <p>Mech. elektr. Wandler</p> <p>Pmax = 3200 bar</p> <p>PK = 3680 bar</p> <p>PE = 4000 bar</p> <p>M = 25.00</p> <p>EE = 4200 Joule</p> <p>Verschiedene Daten</p> <p>Fe ¹⁾³⁾ = 0.15</p> <p>delta L = 0.03</p>	<p>Längen</p> <p>L1 = 36.97</p> <p>L2 = 40.35</p> <p>L3 ¹⁾ = 48.24</p> <p>Stoßboden</p> <p>R ¹⁾ = 1.78</p> <p>R1 = 14.30</p> <p>R2 =</p> <p>R3 =</p> <p>r =</p> <p>Pulverkammer</p> <p>E =</p> <p>P1 ¹⁾ = 12.93</p> <p>P2 * = 12.55</p> <p>Schulterkonus</p> <p>alpha * = 50°</p> <p>S * = 50.43</p> <p>r1 max = 0.76</p> <p>r2 = 3.18</p> <p>Hülsenhals</p> <p>H1 * = 9.40</p> <p>H2 ¹⁾ = 9.37</p> <p>Geschossübergang</p> <p>G1 ¹⁾* = 8.61</p> <p>G ¹⁾ = 7.33</p> <p>alpha l = 90°</p> <p>h = 0.38</p> <p>s * = 2.92</p> <p>i ¹⁾* = 1°30'</p> <p>w =</p> <p>Lauf</p> <p>F ¹⁾* = 8.38</p> <p>Z ¹⁾ = 8.59</p> <p>Züge</p> <p>b = 2.79</p> <p>N = 6</p> <p>u = 305.00</p> <p>Q = 56.95 mm²</p>	
Maßstab 1.02:1			
Maße in << mm >> Maße und Toleranzen für Messläufe siehe Anhang CR 1.		Bemerkungen: 1) Kontrolle aus Sicherheitsgründen 3) Verschlussabstand an Schulter * Grundmaße	

C.I.P.	348 Win.		TAB.	II
	Ursprungsland: US		Datum	84-06-14
			Revision	02-05-15
	PATRONE MAXI		PATRONENLAGER MINI	
	<p>Längen</p> <p>L1 = 41.91 L2 = 45.83 L3 ¹⁾ = 57.28 L4 = L5 = L6 = 70.99</p> <p>Hülsenboden</p> <p>R ¹⁾ = 1.78 -0.25 R1 = 15.49 R3 = E = E1 = e min = delta = f = 0.38 beta = 35°</p> <p>Pulverkammer</p> <p>P1 = 14.05 P2 * = 12.32</p> <p>Schulterkonus</p> <p>alpha * = 38°8' S * = 59.73 r1 min = 0.76 r2 = 2.54</p> <p>Hülsenhals</p> <p>H1 * = 9.61 H2 ¹⁾ = 9.54</p> <p>Geschoss</p> <p>G1 ¹⁾ = 8.88 G2 = F = L3+G ¹⁾ = 60.53</p> <p>Drücke (Energien)</p> <p>Mech. elektr. Wandler</p> <p>Pmax = 3200 bar PK = 3680 bar PE = 4000 bar M = 25.00 EE = 3640 Joule</p> <p>Verschiedene Daten</p> <p>Fe ¹⁾ = 0.15 delta L =</p>		<p>Längen</p> <p>L1 = 42.17 L2 = 46.07 L3 ¹⁾ = 57.53</p> <p>Stoßboden</p> <p>R ¹⁾ = 1.78 R1 = 15.75 R2 = R3 = r =</p> <p>Pulverkammer</p> <p>E = P1 ¹⁾ = 14.07 P2 * = 12.34</p> <p>Schulterkonus</p> <p>alpha * = 38°20' S * = 59.92 r1 max = 0.76 r2 = 2.54</p> <p>Hülsenhals</p> <p>H1 * = 9.63 H2 ¹⁾ = 9.56</p> <p>Geschossübergang</p> <p>G1 ¹⁾* = 8.79 G ¹⁾ = 3.25 alpha 1 * = 90° h = 0.39 s = i ¹⁾* = 1°30' w =</p> <p>Lauf</p> <p>F ¹⁾* = 8.64 Z ¹⁾ = 8.84</p> <p>Züge</p> <p>b = 3.05 N = 6 u = 305.00 Q = 60.50 mm²</p>	
	<p>Maßstab 1:1.5</p> <p>Maße in << mm >> Maße und Toleranzen für Messläufe siehe Anhang CR 1.</p>			
		<p>Bemerkungen: 1) Kontrolle aus Sicherheitsgründen * Grundmaße</p>		

C.I.P.	35 Win.		TAB.	II
	Ursprungsland: US		Datum	84-06-14
			Revision	02-05-15
	PATRONE MAXI		PATRONENLAGER MINI	
	<p>Längen</p> <p>L1 = 51.40 L2 = 53.34 L3¹⁾ = 61.34 L4 = L5 = L6 = 80.65</p> <p>Hülsenboden</p> <p>R¹⁾ = 1.55 -0.25 R1 = 13.79 R3 = E = E1 = e min = delta = f = beta =</p> <p>Pulverkammer</p> <p>P1 = 11.72 P2* = 10.86</p> <p>Schulterkonus</p> <p>alpha* = 30°38' S* = 71.23 r1 min = 3.81 r2 = 3.81</p> <p>Hülsenhals</p> <p>H1* = 9.80 H2¹⁾ = 9.71</p> <p>Geschoss</p> <p>G1¹⁾ = 9.12 G2 = F = L3+G¹⁾ = 71.33</p> <p>Drücke (Energien)</p> <p>Mech. elektr. Wandler</p> <p>Pmax = 3050 bar PK = 3508 bar PE = 3810 bar M = 25.00 EE = 4145 Joule</p> <p>Verschiedene Daten</p> <p>Fe¹⁾ = 0.15 delta L =</p>		<p>Längen</p> <p>L1 = 51.40 L2 = 53.39 L3¹⁾ = 61.75</p> <p>Stoßboden</p> <p>R¹⁾ = 1.55 R1 = 14.05 R2 = 1.47 R3 = r =</p> <p>Pulverkammer</p> <p>E = P1¹⁾ = 11.76 P2* = 10.90</p> <p>Schulterkonus</p> <p>alpha* = 30°38' S* = 71.30 r1 max = 3.81 r2 = 3.81</p> <p>Hülsenhals</p> <p>H1* = 9.81 H2¹⁾ = 9.73</p> <p>Geschossübergang</p> <p>G1¹⁾* = 9.29 G¹⁾ = 9.99 alpha1* = 30° h = 0.82 s = i¹⁾* = 1°15' w =</p> <p>Lauf</p> <p>F¹⁾* = 8.89 Z¹⁾ = 9.09</p> <p>Züge</p> <p>b = N = u = 355.00 Q = 63.77 mm²</p>	
	<p>Maßstab 1:1</p> <p>Maße in << mm >> Maße und Toleranzen für Messläufe siehe Anhang CR 1.</p>		<p>Bemerkungen: 1) Kontrolle aus Sicherheitsgründen * Grundmaße</p>	

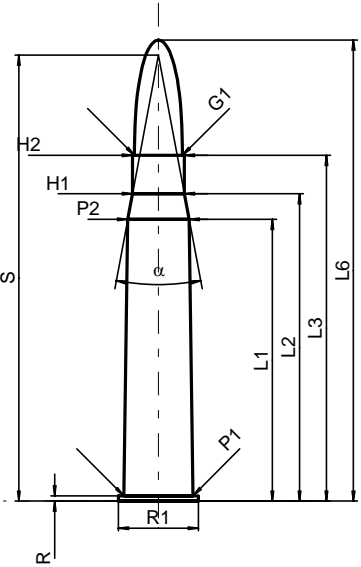
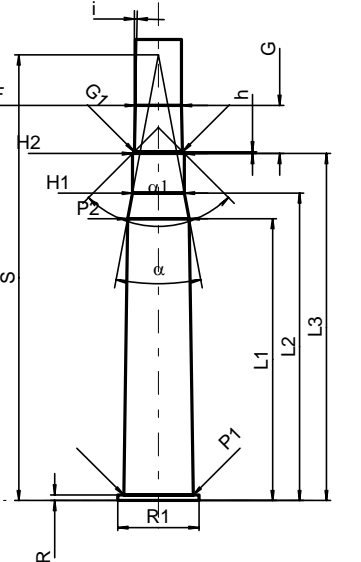
C.I.P.	35 Win. SL		TAB.	II
	Ursprungsland: US		Datum	84-06-14
			Revision	02-05-15
	PATRONE MAXI		PATRONENLAGER MINI	
	<p>Längen</p> <p>L1 =</p> <p>L2 =</p> <p>L3 ¹⁾ = 29.31</p> <p>L4 =</p> <p>L5 =</p> <p>L6 = 41.91</p> <p>Hülsenboden</p> <p>R ¹⁾ = 1.27 -0.25</p> <p>R1 = 10.29</p> <p>R3 =</p> <p>E = 4.26</p> <p>E1 = 9.02</p> <p>e min = 0.64</p> <p>δ = 8°</p> <p>f =</p> <p>β =</p> <p>Pulverkammer</p> <p>P1 = 9.68</p> <p>P2 =</p> <p>Schulterkonus</p> <p>α =</p> <p>S =</p> <p>r1 min =</p> <p>r2 =</p> <p>Hülsenhals</p> <p>H1 =</p> <p>H2 ¹⁾ = 9.58</p> <p>Geschoss</p> <p>G1 ¹⁾ = 8.95</p> <p>G2 =</p> <p>F =</p> <p>L3+G ¹⁾ = 38.82</p> <p>Drücke (Energien)</p> <p>Mech. elektr. Wandler</p> <p>Pmax = 2400 bar</p> <p>PK = 2760 bar</p> <p>PE = 3000 bar</p> <p>M = 17.50</p> <p>EE = 1150 Joule</p> <p>Verschiedene Daten</p> <p>Fe ¹⁾ = 0.15</p> <p>delta L =</p>		<p>Längen</p> <p>L1 =</p> <p>L2 =</p> <p>L3 ¹⁾ = 29.81</p> <p>Stoßboden</p> <p>R ¹⁾ = 1.27</p> <p>R1 = 11.30</p> <p>R2 =</p> <p>R3 =</p> <p>r =</p> <p>Pulverkammer</p> <p>E =</p> <p>P1 ¹⁾ = 9.77</p> <p>P2 =</p> <p>Schulterkonus</p> <p>α =</p> <p>S =</p> <p>r1 max =</p> <p>r2 =</p> <p>Hülsenhals</p> <p>H1 =</p> <p>H2 ¹⁾ = 9.62</p> <p>Geschossübergang</p> <p>G1 ¹⁾* = 8.95</p> <p>G ¹⁾ = 9.51</p> <p>α1 * = 30°</p> <p>h = 1.25</p> <p>s =</p> <p>i ¹⁾* = 0°39'31"</p> <p>w =</p> <p>Lauf</p> <p>F ¹⁾* = 8.76</p> <p>Z ¹⁾ = 8.92</p> <p>Züge</p> <p>b = 2.75</p> <p>N = 6</p> <p>u = 406.00</p> <p>Q = 61.61 mm²</p>	
<p>Maßstab 1.5:1</p> <p>Maße in << mm >></p> <p>Maße und Toleranzen für Messläufe siehe Anhang CR 1.</p>			<p>Bemerkungen: 1) Kontrolle aus Sicherheitsgründen * Grundmaße</p>	

C.I.P.	350 No. 2 Rigby Ursprungsland: GB	TAB. II
		Datum 84-06-14
		Revision 02-05-15
	PATRONE MAXI	PATRONENLAGER MINI
	<p>Längen</p> <p>L1* = 53.34 L2* = 57.15 L3¹⁾ = 69.88 L4 = L5 = L6 = 93.73</p> <p>Hülsenboden</p> <p>R¹⁾ = 1.27 -0.25 R1 = 13.46 R3 = E = E1 = e min = delta = f = beta =</p> <p>Pulverkammer</p> <p>P1 = 11.96 P2* = 10.64</p> <p>Schulterkonus</p> <p>alpha = 13°37'13" S = 97.89 r1 min = 8.13 r2 = 8.13</p> <p>Hülsenhals</p> <p>H1* = 9.73 H2¹⁾ = 9.70</p> <p>Geschoss</p> <p>G1¹⁾ = 9.04 G2 = F = L3+G¹⁾ = 80.51</p> <p>Drücke (Energien) Mech. elektr. Wandler</p> <p>Pmax = 3300 bar PK = 3795 bar PE = 4125 bar M = 25.00 EE = 4900 Joule</p> <p>Verschiedene Daten</p> <p>Fe¹⁾ = 0.15 delta L =</p>	<p>Längen</p> <p>L1* = 53.37 L2* = 57.18 L3¹⁾ = 70.13</p> <p>Stoßboden</p> <p>R¹⁾ = 1.30 R1 = 13.72 R2 = R3 = r =</p> <p>Pulverkammer</p> <p>E = P1¹⁾ = 11.99 P2* = 10.67</p> <p>Schulterkonus</p> <p>alpha = 13°46'07" S = 97.56 r1 max = r2 =</p> <p>Hülsenhals</p> <p>H1* = 9.75 H2¹⁾ = 9.73</p> <p>Geschossübergang</p> <p>G1¹⁾* = 9.10 G¹⁾* = 10.63 alpha1 = 90° h* = 0.32 s = i¹⁾ = 1°15' w =</p> <p>Lauf</p> <p>F¹⁾* = 8.65 Z¹⁾ = 9.00</p> <p>Züge</p> <p>b = N = u = 304.00 Q = 58.77 mm²</p>
Maßstab 1:1		
Maße in << mm >> Maße und Toleranzen für Messläufe siehe Anhang CR 1.	Bemerkungen: 1) Kontrolle aus Sicherheitsgründen * Grundmaße	

C.I.P.	351 Win. SL		TAB.	II
			Datum	84-06-14
	Ursprungsland: US		Revision	11-05-25
	PATRONE MAXI		PATRONENLAGER MINI	
	<p>Längen</p> <p>L1 =</p> <p>L2 =</p> <p>L3 ¹⁾ = 35.05</p> <p>L4 =</p> <p>L5 =</p> <p>L6 = 48.26</p> <p>Hülsenboden</p> <p>R ¹⁾ = 1.27 -0.25</p> <p>R1 = 10.41</p> <p>R3 =</p> <p>E = 3.72</p> <p>E1 = 9.02</p> <p>e min = 0.64</p> <p>delta = 10°</p> <p>f = 0.38</p> <p>beta = 35°</p> <p>Pulverkammer</p> <p>P1 = 9.66</p> <p>P2 =</p> <p>Schulterkonus</p> <p>alpha =</p> <p>S =</p> <p>r1 min =</p> <p>r2 =</p> <p>Hülsenhals</p> <p>H1 =</p> <p>H2 ¹⁾ = 9.58</p> <p>Geschoss</p> <p>G1 ¹⁾ = 8.94</p> <p>G2 =</p> <p>F =</p> <p>L3+G ¹⁾ = 44.73</p> <p>Drücke (Energien)</p> <p>Mech. elektr. Wandler</p> <p>Pmax = 3650 bar</p> <p>PK = 4198 bar</p> <p>PE = 4560 bar</p> <p>M = 17.50</p> <p>EE = 1330 Joule</p> <p>Verschiedene Daten</p> <p>Fe ¹⁾⁴⁾ = 0.15</p> <p>delta L =</p>		<p>Längen</p> <p>L1 =</p> <p>L2 =</p> <p>L3 ¹⁾ = 35.07</p> <p>Stoßboden</p> <p>R ¹⁾ = 1.27</p> <p>R1 = 10.67</p> <p>R2 =</p> <p>R3 =</p> <p>r =</p> <p>Pulverkammer</p> <p>E =</p> <p>P1 ¹⁾ = 9.86</p> <p>P2 =</p> <p>Schulterkonus</p> <p>alpha =</p> <p>S =</p> <p>r1 max =</p> <p>r2 =</p> <p>Hülsenhals</p> <p>H1 =</p> <p>H2 ¹⁾ = 9.71</p> <p>Geschossübergang</p> <p>G1 ¹⁾* = 8.95</p> <p>G ¹⁾ = 9.68</p> <p>alpha1 = 30°</p> <p>h = 1.42</p> <p>s =</p> <p>i ¹⁾* = 0°39'31"</p> <p>w =</p> <p>Lauf</p> <p>F ¹⁾* = 8.76</p> <p>Z ¹⁾ = 8.92</p> <p>Züge</p> <p>b = 2.75</p> <p>N = 6</p> <p>u = 406.00</p> <p>Q = 61.61 mm²</p>	
<p>Maßstab 1.39:1</p> <p>Maße in << mm >></p> <p>Maße und Toleranzen für Messläufe siehe Anhang CR 1.</p>		<p>Bemerkungen: 1) Kontrolle aus Sicherheitsgründen 4) Verschlussabstand an Rand * Grundmaße</p>		

C.I.P.	356 Win. Ursprungsland: US	TAB.	II
		Datum	84-06-14
		Revision	11-05-25
	PATRONE MAXI	PATRONENLAGER MINI	
	<p>Längen</p> <p>L1 = 39.62 L2 = 41.91 L3 ¹⁾ = 51.18 L4 = L5 = L6 = 65.02</p> <p>Hülsenboden</p> <p>R ¹⁾ = 1.60 -0.25 R1 = 12.85 R3 = E = 3.72 E1 = 10.41 e min = 0.46 delta = 25° f = 0.38 beta = 35°</p> <p>Pulverkammer</p> <p>P1 = 11.96 P2 * = 11.53</p> <p>Schulterkonus</p> <p>alpha * = 40° S * = 55.45 r1 min = 0.76 r2 = 2.54</p> <p>Hülsenhals</p> <p>H1 * = 9.86 H2 ¹⁾ = 9.86</p> <p>Geschoss</p> <p>G1 ¹⁾ = 9.11 G2 = F = L3+G ¹⁾ = 57.14</p> <p>Drücke (Energien)</p> <p>Mech. elektr. Wandler</p> <p>Pmax = 4150 bar PK = 4773 bar PE = 5190 bar M = 25.00 EE = 3705 Joule</p> <p>Verschiedene Daten</p> <p>Fe ¹⁾³⁾ = 0.10 delta L =</p>	<p>Längen</p> <p>L1 = 39.69 L2 = 41.93 L3 ¹⁾ = 51.44</p> <p>Stoßboden</p> <p>R ¹⁾ = 1.60 R1 = 12.88 R2 = R3 = r =</p> <p>Pulverkammer</p> <p>E = 1.60 P1 ¹⁾ = 12.01 P2 * = 11.56</p> <p>Schulterkonus</p> <p>alpha * = 40° S * = 55.57 r1 max = 0.76 r2 = 2.79</p> <p>Hülsenhals</p> <p>H1 * = 9.93 H2 ¹⁾ = 9.88</p> <p>Geschossübergang</p> <p>G1 ¹⁾* = 9.17 G ¹⁾ = 5.96 alpha1 * = 60° h = 0.61 s = i ¹⁾* = 1°30' w =</p> <p>Lauf</p> <p>F ¹⁾* = 8.89 Z ¹⁾ = 9.09</p> <p>Züge</p> <p>b = 2.79 N = 6 u = 305.00 Q = 63.77 mm²</p>	
	<p>Maßstab 1.1:1</p> <p style="text-align: center;">Maße in << mm >> Maße und Toleranzen für Messläufe siehe Anhang CR 1.</p>		
<p>Bemerkungen: 1) Kontrolle aus Sicherheitsgründen 3) Verschlussabstand an Schulter * Grundmaße</p>			

C.I.P.	360 N.E. 2 "1/4		TAB.	II
	Ursprungsland: GB		Datum	84-06-14
			Revision	02-05-15
	PATRONE MAXI		PATRONENLAGER MINI	
	<p>Längen</p> <p>L1 =</p> <p>L2 =</p> <p>L3 ¹⁾ = 57.15</p> <p>L4 =</p> <p>L5 =</p> <p>L6 = 76.20</p> <p>Hülsenboden</p> <p>R ¹⁾ = 1.17 -0.25</p> <p>R1 = 12.32</p> <p>R3 =</p> <p>E =</p> <p>E1 =</p> <p>e min =</p> <p>δ =</p> <p>f =</p> <p>β =</p> <p>Pulverkammer</p> <p>P1 = 10.92</p> <p>P2 =</p> <p>Schulterkonus</p> <p>α =</p> <p>S =</p> <p>r1 min =</p> <p>r2 =</p> <p>Hülsenhals</p> <p>H1 =</p> <p>H2 ¹⁾ = 9.80</p> <p>Geschoss</p> <p>G1 ¹⁾ = 9.32</p> <p>G2 =</p> <p>F =</p> <p>L3+G ¹⁾ = 63.83</p> <p>Drücke (Energien)</p> <p>Mech. elektr. Wandler</p> <p>Pmax = 2450 bar</p> <p>PK = 2818 bar</p> <p>PE = 3060 bar</p> <p>M = 25.00</p> <p>EE = 2285 Joule</p> <p>Verschiedene Daten</p> <p>Fe ¹⁾ = 0.15</p> <p>delta L =</p>		<p>Längen</p> <p>L1 =</p> <p>L2 =</p> <p>L3 ¹⁾ = 57.40</p> <p>Stoßboden</p> <p>R ¹⁾ = 1.19</p> <p>R1 = 12.57</p> <p>R2 =</p> <p>R3 =</p> <p>r =</p> <p>Pulverkammer</p> <p>E =</p> <p>P1 ¹⁾ = 10.95</p> <p>P2 =</p> <p>Schulterkonus</p> <p>α =</p> <p>S =</p> <p>r1 max =</p> <p>r2 =</p> <p>Hülsenhals</p> <p>H1 =</p> <p>H2 ¹⁾ = 9.83</p> <p>Geschossübergang</p> <p>G1 ¹⁾* = 9.35</p> <p>G ¹⁾* = 6.68</p> <p>α1 = 90°</p> <p>h* = 0.24</p> <p>s =</p> <p>i ¹⁾ = 2°00'03"</p> <p>w =</p> <p>Lauf</p> <p>F ¹⁾* = 8.90</p> <p>Z ¹⁾ = 9.30</p> <p>Züge</p> <p>b =</p> <p>N =</p> <p>u = 508.00</p> <p>Q = 62.21 mm²</p>	
Maßstab 1:1				
Maße in << mm >> Maße und Toleranzen für Messläufe siehe Anhang CR 1.		Bemerkungen: 1) Kontrolle aus Sicherheitsgründen * Grundmaße		

C.I.P.	369 N.E. Purdey		TAB.	II
	Ursprungsland: GB		Datum	84-06-14
			Revision	02-05-15
	PATRONE MAXI		PATRONENLAGER MINI	
	<p>Längen</p> <p>L1* = 55.88 L2* = 60.96 L3¹⁾ = 68.58 L4 = L5 = L6 = 91.44</p> <p>Hülsenboden</p> <p>R¹⁾ = 1.07 -0.25 R1 = 15.85 R3 = E = E1 = e min = delta = f = beta =</p> <p>Pulverkammer</p> <p>P1 = 13.74 P2* = 12.19</p> <p>Schulterkonus</p> <p>alpha = 21°11'05" S = 88.47 r1 min = r2 =</p> <p>Hülsenhals</p> <p>H1* = 10.29 H2¹⁾ = 10.29</p> <p>Geschoss</p> <p>G1¹⁾ = 9.52 G2 = F = L3+G¹⁾ = 78.12</p> <p>Drücke (Energien)</p> <p>Mech. elektr. Wandler</p> <p>Pmax = 3050 bar PK = 3508 bar PE = 3810 bar M = 25.00 EE = 4130 Joule</p> <p>Verschiedene Daten</p> <p>Fe¹⁾ = 0.15 delta L =</p>		<p>Längen</p> <p>L1* = 55.91 L2* = 60.99 L3¹⁾ = 68.83</p> <p>Stoßboden</p> <p>R¹⁾ = 1.09 R1 = 16.10 R2 = R3 = r =</p> <p>Pulverkammer</p> <p>E = P1¹⁾ = 13.77 P2* = 12.22</p> <p>Schulterkonus</p> <p>alpha = 21°17'38" S = 88.41 r1 max = r2 =</p> <p>Hülsenhals</p> <p>H1* = 10.31 H2¹⁾ = 10.31</p> <p>Geschossübergang</p> <p>G1¹⁾* = 9.55 G¹⁾* = 9.54 alpha1 = 90° h* = 0.38 s = i¹⁾ = 1°15'03" w =</p> <p>Lauf</p> <p>F¹⁾* = 9.15 Z¹⁾ = 9.50</p> <p>Züge</p> <p>b = N = u = 406.00 Q = 65.76 mm²</p>	
	<p>Maßstab 1:1.5</p> <p>Maße in << mm >> Maße und Toleranzen für Messläufe siehe Anhang CR 1.</p>			
		<p>Bemerkungen: 1) Kontrolle aus Sicherheitsgründen * Grundmaße</p>		

C.I.P.	375 FI. N.E. 2"1/2 Ursprungsland: GB	TAB. II
		Datum 84-06-14
		Revision 06-01-24
	PATRONE MAXI	PATRONENLAGER MINI
	<p>Längen</p> <p>L1 =</p> <p>L2 =</p> <p>L3 ¹⁾ = 63.50</p> <p>L4 =</p> <p>L5 =</p> <p>L6 = 82.55</p> <p>Hülsenboden</p> <p>R ¹⁾ = 1.65 -0.25</p> <p>R1 = 13.41</p> <p>R3 =</p> <p>E =</p> <p>E1 =</p> <p>e min =</p> <p>δ =</p> <p>f =</p> <p>β = 45°</p> <p>Pulverkammer</p> <p>P1 = 11.68</p> <p>P2 =</p> <p>Schulterkonus</p> <p>α =</p> <p>S =</p> <p>r1 min =</p> <p>r2 =</p> <p>Hülsenhals</p> <p>H1 =</p> <p>H2 ¹⁾ = 10.19</p> <p>Geschoss</p> <p>G1 ¹⁾ = 9.52</p> <p>G2 =</p> <p>F =</p> <p>L3+G ¹⁾ = 71.92</p> <p>Drücke (Energien)</p> <p>Mech. elektr. Wandler</p> <p>Pmax = 2200 bar</p> <p>PK = 2530 bar</p> <p>PE = 2750 bar</p> <p>M = 25.00</p> <p>EE = 3220 Joule</p> <p>Verschiedene Daten</p> <p>Fe ¹⁾ = 0.15</p> <p>delta L =</p>	<p>Längen</p> <p>L1 =</p> <p>L2 =</p> <p>L3 ¹⁾ = 63.75</p> <p>Stoßboden</p> <p>R ¹⁾ = 1.65</p> <p>R1 = 13.67</p> <p>R2 =</p> <p>R3 =</p> <p>r =</p> <p>Pulverkammer</p> <p>E =</p> <p>P1 ¹⁾ = 11.68</p> <p>P2 =</p> <p>Schulterkonus</p> <p>α =</p> <p>S =</p> <p>r1 max =</p> <p>r2 =</p> <p>Hülsenhals</p> <p>H1 =</p> <p>H2 ¹⁾ = 10.21</p> <p>Geschossübergang</p> <p>G1 ¹⁾* = 9.58</p> <p>G ¹⁾* = 8.42</p> <p>α1 = 90°</p> <p>h* = 0.32</p> <p>s =</p> <p>i ¹⁾ = 1°10'</p> <p>w =</p> <p>Lauf</p> <p>F ¹⁾* = 9.25</p> <p>Z ¹⁾ = 9.50</p> <p>Züge</p> <p>b = 2.92</p> <p>N = 6</p> <p>u = 475.00</p> <p>Q = 67.20 mm²</p>
Maßstab 1:1		
Maße in << mm >> Maße und Toleranzen für Messläufe siehe Anhang CR 1.	Bemerkungen: 1) Kontrolle aus Sicherheitsgründen * Grundmaße	

C.I.P.	375 Fl. Mag. N.E.	TAB.	II
		Datum	84-06-14
		Revision	13-05-22

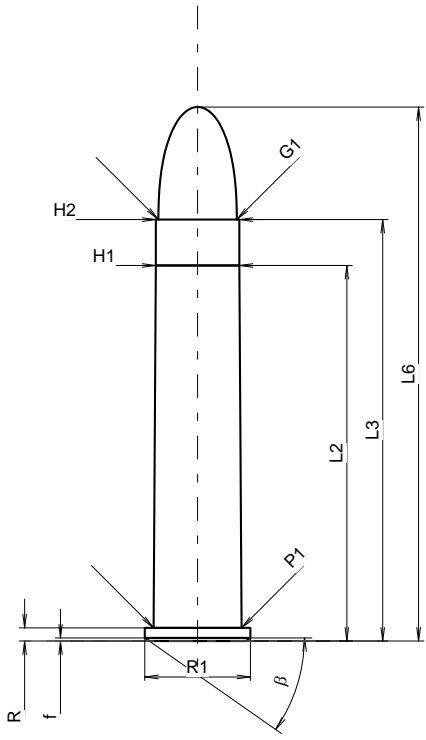
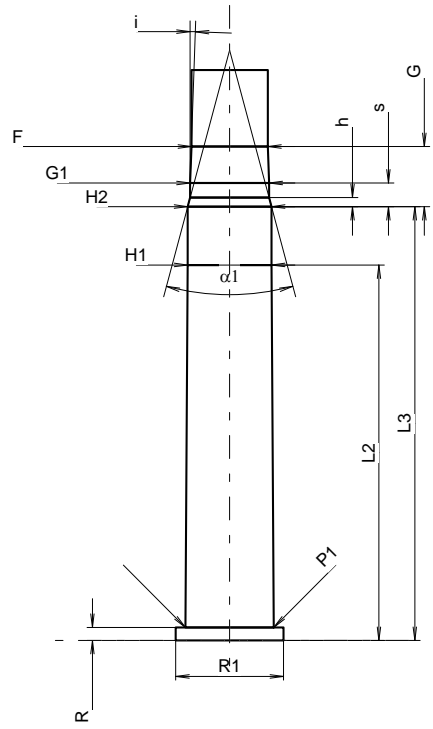
Ursprungsland: GB

Alternative Namen: 375 H&H Fl. Mag. N.E.

	<p>PATRONE MAXI</p> <p>Längen</p> <p>L1 * = 60.96 L2 * = 63.50 L3 1) = 74.68 L4 = L5 = L6 = 96.52</p> <p>Hülsenboden</p> <p>R 1) = 1.52 -0.25 R1 = 14.35 R3 = E = E1 = e min = delta = f = beta =</p> <p>Pulverkammer</p> <p>P1 = 13.13 P2 * = 11.43</p> <p>Schulterkonus</p> <p>alpha = 25°17'47" S = 86.43 r1 min = r2 =</p> <p>Hülsenhals</p> <p>H1 * = 10.29 H2 1) = 10.29</p> <p>Geschoss</p> <p>G1 1) = 9.52 G2 = F = L3+G 1) = 83.15</p> <p>Drücke (Energien)</p> <p>Mech. elektr. Wandler</p> <p>Pmax = 3250 bar PK = 3738 bar PE = 4060 bar M = 25.00 EE = 5925 Joule</p> <p>Verschiedene Daten</p> <p>Fe 1)4) = 0.15 delta L =</p>	<p>PATRONENLAGER MINI</p> <p>Längen</p> <p>L1 * = 60.99 L2 * = 63.53 L3 1) = 74.93</p> <p>Stoßboden</p> <p>R 1) = 1.55 R1 = 14.78 R2 = R3 = r =</p> <p>Pulverkammer</p> <p>E = P1 1) = 13.16 P2 * = 11.46</p> <p>Schulterkonus</p> <p>alpha = 25°30'39" S = 86.30 r1 max = r2 =</p> <p>Hülsenhals</p> <p>H1 * = 10.31 H2 1) = 10.31</p> <p>Geschossübergang</p> <p>G1 1)* = 9.58 G 1)* = 8.47 alpha1 = 90° h * = 0.37 s = i 1) = 1°10' w =</p> <p>Lauf</p> <p>F 1)* = 9.25 Z 1) = 9.50</p> <p>Züge</p> <p>b = 2.92 N = 6 u = 406.00 Q = 69.43 mm²</p>
<p>Maßstab 1:1.21</p> <p>Maße in << mm >> Maße und Toleranzen für Messläufe siehe Anhang CR 1.</p>	<p>Bemerkungen: 1) Kontrolle aus Sicherheitsgründen 4) Verschlussabstand an Rand * Grundmaße</p>	

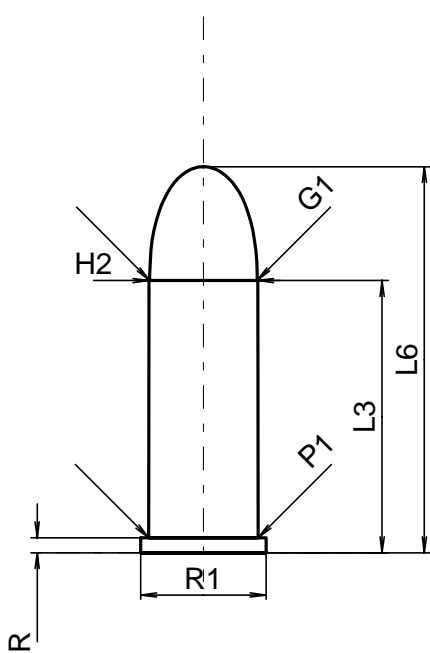
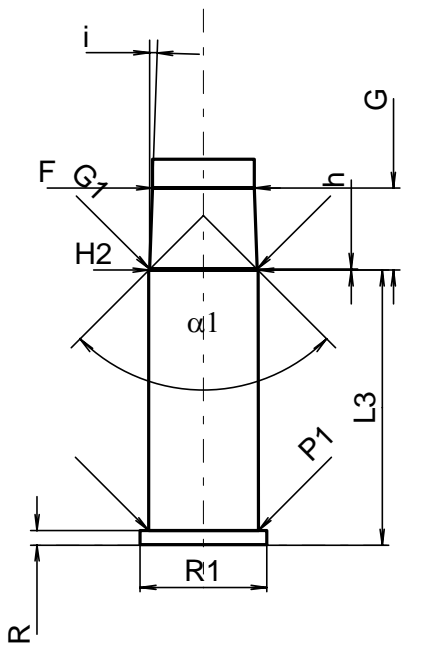
C.I.P.		375 R Hölderlin		TAB.	II
		Ursprungsland: DE		Datum	07-05-14
				Revision	
		PATRONE MAXI		PATRONENLAGER MINI	
		Längen L1 = 53.20 L2 = 56.57 L3 ¹⁾ = 67.50 L4 = L5 = L6 = 87.00 Hülsenboden R ¹⁾ = 1.75 R1 = 14.95 -0.25 R3 = E = E1 = e min = delta = f = 0.30 beta = 45° Pulverkammer P1 = 13.34 P2 * = 12.15 Schulterkonus alpha * = 29°05'34" S * = 76.61 r1 min = 0.50 r2 = 0.50		Längen L1 = 53.19 L2 = 56.56 L3 ¹⁾ = 67.80 Stoßboden R ¹⁾ = 1.75 R1 = 15.00 R2 = R3 = r = Pulverkammer E = 1.75 P1 ¹⁾ = 13.37 P2 * = 12.18 Schulterkonus alpha * = 29°05'34" S * = 76.66 r1 max = 0.50 r2 = 0.50	
		Hülsenhals H1 * = 10.40 H2 ¹⁾ = 10.39 Geschoss G1 ¹⁾ = 9.55 G2 = F = L3+G ¹⁾ = 74.22 Drücke (Energien) Mech. elektr. Wandler Pmax = 3600 bar PK = 4140 bar PE = 4500 bar M = 25.00 EE = 6500 Joule Verschiedene Daten Fe ¹⁾⁴⁾ = 0.10 delta L =		Hülsenhals H1 * = 10.43 H2 ¹⁾ = 10.42 Geschossübergang G1 ¹⁾ * = 9.56 G ¹⁾ = 6.72 alpha1 * = 90° h = 0.43 s = 3.00 i ¹⁾ * = 2° w = Lauf F ¹⁾ * = 9.30 Z ¹⁾ = 9.55 Züge b = 2.92 N = 6 u = 305.00 Q = 70.16 mm ²	
Maßstab 1:1 Maße in << mm >> Maße und Toleranzen für Messläufe siehe Anhang CR 1.		Bemerkungen: 1) Kontrolle aus Sicherheitsgründen 4) Verschlussabstand an Rand * Grundmaße			

C.I.P.	375 R Verney-Carron	TAB. II
		Datum 10-05-26
		Revision
Ursprungsland: FR		
	PATRONE MAXI	PATRONENLAGER MINI
	<p>Längen</p> <p>L1 = 60.58 L2 = 63.50 L3 ¹⁾ = 73.00 L4 = L5 = L6 = 92.25</p> <p>Hülsenboden</p> <p>R ¹⁾ = 1.65 R1 = 15.90 -0.25 R3 = E = E1 = e min = delta = f = 0.30 beta = 45°</p> <p>Pulverkammer</p> <p>P1 = 13.95 P2 * = 13.45</p> <p>Schulterkonus</p> <p>alpha * = 58° S * = 72.70 r1 min = 0.50 r2 = 1.70</p> <p>Hülsenhals</p> <p>H1 * = 10.21 H2 ¹⁾ = 10.21</p> <p>Geschoss</p> <p>G1 ¹⁾ = 9.53 G2 = F = L3+G ¹⁾ = 84.40</p> <p>Drücke (Energien)</p> <p>Mech. elektr. Wandler</p> <p>Pmax = 4100 bar PK = 4715 bar PE = 5125 bar M = 25.00 EE = 7100 Joule</p> <p>Verschiedene Daten</p> <p>Fe ¹⁾⁴⁾ = 0.10 delta L =</p>	<p>Längen</p> <p>L1 = 60.59 L2 = 63.50 L3 ¹⁾ = 73.30</p> <p>Stoßboden</p> <p>R ¹⁾ = 1.65 R1 = 15.93 R2 = R3 = r =</p> <p>Pulverkammer</p> <p>E = P1 ¹⁾ = 13.98 P2 * = 13.48</p> <p>Schulterkonus</p> <p>alpha * = 58° S * = 72.75 r1 max = 0.30 r2 = 1.70</p> <p>Hülsenhals</p> <p>H1 * = 10.26 H2 ¹⁾ = 10.26</p> <p>Geschossübergang</p> <p>G1 ¹⁾* = 9.54 G ¹⁾ = 11.40 alpha 1 = 90° h = 0.36 s * = 7.51 i ¹⁾* = 1°46'</p> <p>w =</p> <p>Lauf</p> <p>F ¹⁾* = 9.30 Z ¹⁾ = 9.53</p> <p>Züge</p> <p>b = 2.92 N = 6 u = 305.00 Q = 69.98 mm²</p>
<p>Maßstab 1:1.25</p> <p style="text-align: center;">Maße in << mm >> Maße und Toleranzen für Messläufe siehe Anhang CR 1.</p>		<p>Bemerkungen: 1) Kontrolle aus Sicherheitsgründen 4) Verschlussabstand an Rand * Grundmaße</p>

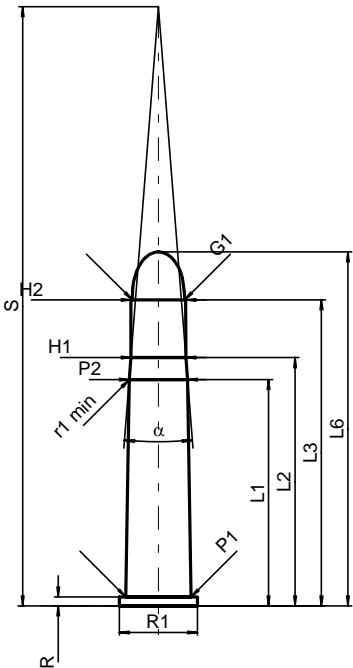
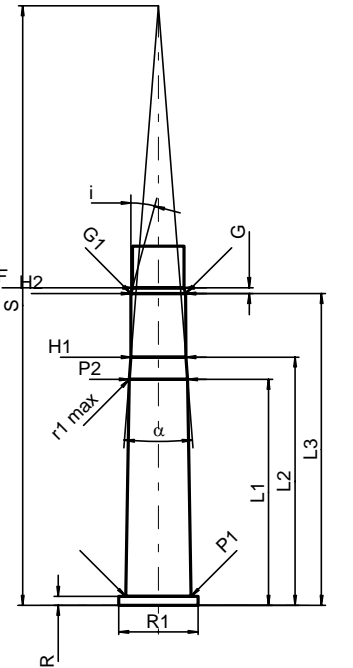
C.I.P.	375 Win.	TAB.	II
		Datum	84-06-14
		Revision	10-05-26
Ursprungsland: US			
	PATRONE MAXI	PATRONENLAGER MINI	
	<p>Längen</p> <p>L1 =</p> <p>L2 = 45.72</p> <p>L3 ¹⁾ = 51.31</p> <p>L4 =</p> <p>L5 =</p> <p>L6 = 65.02</p> <p>Hülsenboden</p> <p>R ¹⁾ = 1.60 -0.25</p> <p>R1 = 12.85</p> <p>R3 =</p> <p>E =</p> <p>E1 =</p> <p>e min =</p> <p>δ =</p> <p>f = 0.38</p> <p>β = 35°</p> <p>Pulverkammer</p> <p>P1 = 10.71</p> <p>P2 =</p> <p>Schulterkonus</p> <p>α =</p> <p>S =</p> <p>r1 min =</p> <p>r2 =</p> <p>Hülsenhals</p> <p>H1 * = 10.16</p> <p>H2 ¹⁾ = 10.16</p> <p>Geschoss</p> <p>G1 ¹⁾ = 9.55</p> <p>G2 =</p> <p>F =</p> <p>L3+G ¹⁾ = 58.62</p> <p>Drücke (Energien)</p> <p>Mech. elektr. Wandler</p> <p>Pmax = 3800 bar</p> <p>PK = 4370 bar</p> <p>PE = 4750 bar</p> <p>M = 25.00</p> <p>EE = 2930 Joule</p> <p>Verschiedene Daten</p> <p>Fe ¹⁾⁴⁾ = 0.15</p> <p>delta L =</p>	<p>Längen</p> <p>L1 =</p> <p>L2 = 45.72</p> <p>L3 ¹⁾ = 52.83</p> <p>Stoßboden</p> <p>R ¹⁾ = 1.60</p> <p>R1 = 13.11</p> <p>R2 =</p> <p>R3 =</p> <p>r =</p> <p>Pulverkammer</p> <p>E =</p> <p>P1 ¹⁾ = 10.74</p> <p>P2 =</p> <p>Schulterkonus</p> <p>α =</p> <p>S =</p> <p>r1 max =</p> <p>r2 =</p> <p>Hülsenhals</p> <p>H1 * = 10.20</p> <p>H2 ¹⁾ = 10.20</p> <p>Geschossübergang</p> <p>G1 ¹⁾* = 9.61</p> <p>G ¹⁾ = 7.31</p> <p>α1 * = 30°</p> <p>h = 1.10</p> <p>s = 2.87</p> <p>i ¹⁾* = 2°</p> <p>w =</p> <p>Lauf</p> <p>F ¹⁾* = 9.30</p> <p>Z ¹⁾ = 9.55</p> <p>Züge</p> <p>b = 2.92</p> <p>N = 6</p> <p>u = 305.00</p> <p>Q = 70.16 mm²</p>	
			
Maßstab 1.09:1			
Maße in << mm >> Maße und Toleranzen für Messläufe siehe Anhang CR 1.		Bemerkungen: 1) Kontrolle aus Sicherheitsgründen 4) Verschlussabstand an Rand * Grundmaße	

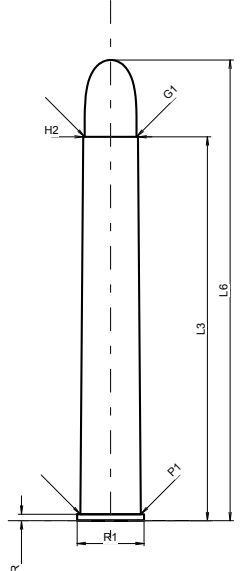
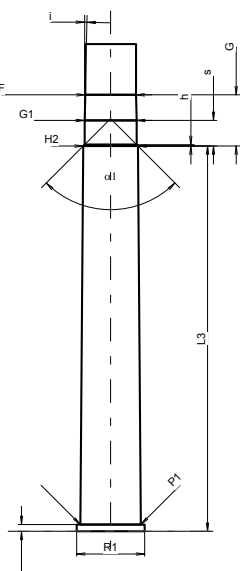
C.I.P.	38-40 Win.	TAB.	II
		Datum	84-06-14
		Revision	02-05-15
Ursprungsland: US			
	PATRONE MAXI	PATRONENLAGER MINI	
	<p>Längen</p> <p>L1 = 23.42 L2 = 27.28 L3 ¹⁾ = 33.15 L4 = L5 = L6 = 40.44</p> <p>Hülsenboden</p> <p>R ¹⁾ = 1.65 -0.25 R1 = 13.34 R3 = E = E1 = e min = delta = f = 0.38 beta = 45°</p> <p>Pulverkammer</p> <p>P1 = 11.93 P2 * = 11.54</p> <p>Schulterkonus</p> <p>alpha * = 13°36' S * = 71.81 r1 min = 17.53 r2 = 13.72</p> <p>Hülsenhals</p> <p>H1 * = 10.62 H2 ¹⁾ = 10.58</p> <p>Geschoss</p> <p>G1 ¹⁾ = 10.17 G2 = F = L3+G ¹⁾ = 34.69</p> <p>Drücke (Energien)</p> <p>Mech. elektr. Wandler</p> <p>Pmax = 1150 bar PK = 1323 bar PE = 1440 bar M = 17.50 EE = 1945 Joule</p> <p>Verschiedene Daten</p> <p>Fe ¹⁾⁴⁾ = 0.15 delta L =</p>	<p>Längen</p> <p>L1 = 23.18 L2 = 27.12 L3 ¹⁾ = 33.45</p> <p>Stoßboden</p> <p>R ¹⁾ = 1.65 R1 = 13.59 R2 = R3 = r =</p> <p>Pulverkammer</p> <p>E = P1 ¹⁾ = 11.96 P2 * = 11.60</p> <p>Schulterkonus</p> <p>alpha * = 13°44' S * = 71.34 r1 max = 17.53 r2 = 13.72</p> <p>Hülsenhals</p> <p>H1 * = 10.65 H2 ¹⁾ = 10.61</p> <p>Geschossübergang</p> <p>G1 ¹⁾* = 10.61 G ¹⁾ = 1.54 F = alpha l = 180° h = s = i ¹⁾* = 11° w =</p> <p>Lauf</p> <p>F ¹⁾* = 10.01 Z ¹⁾ = 10.16</p> <p>Züge</p> <p>b = 3.14 N = 6 u = 914.00 Q = 80.13 mm²</p>	
<p>Maßstab 1.1:1</p> <p>Maße in << mm >> Maße und Toleranzen für Messläufe siehe Anhang CR 1.</p>		<p>Bemerkungen: 1) Kontrolle aus Sicherheitsgründen 4) Verschlussabstand an Rand * Grundmaße</p>	

C.I.P.	38-55 Win.		TAB.	II
	Ursprungsland: US		Datum	84-06-14
			Revision	02-05-15
	PATRONE MAXI		PATRONENLAGER MINI	
	<p>Längen</p> <p>L1 =</p> <p>L2 =</p> <p>L3 ¹⁾ = 52.96</p> <p>L4 =</p> <p>L5 =</p> <p>L6 = 63.75</p> <p>Hülsenboden</p> <p>R ¹⁾ = 1.60 -0.25</p> <p>R1 = 12.85</p> <p>R3 =</p> <p>E =</p> <p>E1 =</p> <p>e min =</p> <p>delta =</p> <p>f = 0.38</p> <p>beta = 35°</p> <p>Pulverkammer</p> <p>P1 = 10.69</p> <p>P2 =</p> <p>Schulterkonus</p> <p>alpha =</p> <p>S =</p> <p>r1 min =</p> <p>r2 =</p> <p>Hülsenhals</p> <p>H1 =</p> <p>H2 ¹⁾ = 9.96</p> <p>Geschoss</p> <p>G1 ¹⁾ = 9.58</p> <p>G2 =</p> <p>F =</p> <p>L3+G ¹⁾ = 55.43</p> <p>Drücke (Energien)</p> <p>Mech. elektr. Wandler</p> <p>Pmax = 2400 bar</p> <p>PK = 2760 bar</p> <p>PE = 3000 bar</p> <p>M = 25.00</p> <p>EE = 1580 Joule</p> <p>Verschiedene Daten</p> <p>Fe ¹⁾ = 0.15</p> <p>delta L =</p>		<p>Längen</p> <p>L1 =</p> <p>L2 =</p> <p>L3 ¹⁾ = 53.80</p> <p>Stoßboden</p> <p>R ¹⁾ = 1.60</p> <p>R1 = 13.11</p> <p>R2 =</p> <p>R3 =</p> <p>r =</p> <p>Pulverkammer</p> <p>E =</p> <p>P1 ¹⁾ = 10.73</p> <p>P2 =</p> <p>Schulterkonus</p> <p>alpha =</p> <p>S =</p> <p>r1 max =</p> <p>r2 =</p> <p>Hülsenhals</p> <p>H1 =</p> <p>H2 ¹⁾ = 9.99</p> <p>Geschossübergang</p> <p>G1 ¹⁾* = 9.99</p> <p>G ¹⁾ = 2.47</p> <p>alpha1 =</p> <p>h =</p> <p>s =</p> <p>i ¹⁾* = 6°</p> <p>w =</p> <p>Lauf</p> <p>F ¹⁾* = 9.47</p> <p>Z ¹⁾ = 9.63</p> <p>Züge</p> <p>b = 2.97</p> <p>N = 6</p> <p>u = 457.00</p> <p>Q = 71.88 mm²</p>	
Maßstab 1:1				
Maße in << mm >> Maße und Toleranzen für Messläufe siehe Anhang CR 1.	Bemerkungen: 1) Kontrolle aus Sicherheitsgründen * Grundmaße			

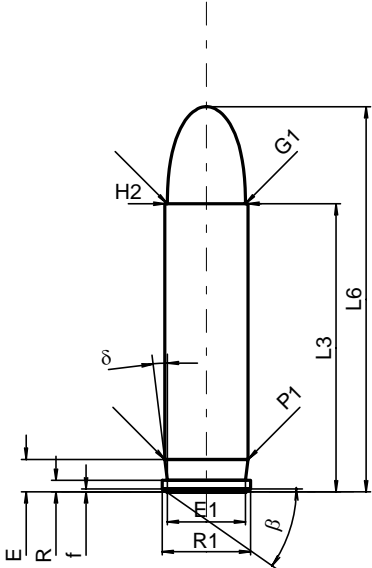
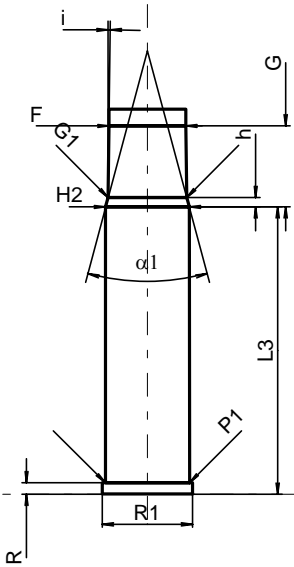
C.I.P.	380 Long Rifle		TAB.	II
	Ursprungsland: GB		Datum	84-06-14
			Revision	02-05-15
	PATRONE MAXI		PATRONENLAGER MINI	
	<p>Längen</p> <p>L1 =</p> <p>L2 =</p> <p>L3 ¹⁾ = 24.00</p> <p>L4 =</p> <p>L5 =</p> <p>L6 = 34.04</p> <p>Hülsenboden</p> <p>R ¹⁾ = 1.32 -0.25</p> <p>R1 = 11.05</p> <p>R3 =</p> <p>E =</p> <p>E1 =</p> <p>e min =</p> <p>δ =</p> <p>f =</p> <p>β = 45°</p> <p>Pulverkammer</p> <p>P1 = 9.65</p> <p>P2 =</p> <p>Schulterkonus</p> <p>α =</p> <p>S =</p> <p>r1 min =</p> <p>r2 =</p> <p>Hülsenhals</p> <p>H1 =</p> <p>H2 ¹⁾ = 9.60</p> <p>Geschoss</p> <p>G1 ¹⁾ = 9.47</p> <p>G2 =</p> <p>F =</p> <p>L3+G ¹⁾ = 31.23</p> <p>Drücke (Energien)</p> <p>Mech. elektr. Wandler</p> <p>Pmax = 950 bar</p> <p>PK = 1093 bar</p> <p>PE = 1190 bar</p> <p>M = 17.50</p> <p>EE = 412 Joule</p> <p>Verschiedene Daten</p> <p>Fe ¹⁾ = 0.15</p> <p>delta L =</p>		<p>Längen</p> <p>L1 =</p> <p>L2 =</p> <p>L3 ¹⁾ = 24.26</p> <p>Stoßboden</p> <p>R ¹⁾ = 1.30</p> <p>R1 = 11.18</p> <p>R2 =</p> <p>R3 =</p> <p>r =</p> <p>Pulverkammer</p> <p>E =</p> <p>P1 ¹⁾ = 9.68</p> <p>P2 =</p> <p>Schulterkonus</p> <p>α =</p> <p>S =</p> <p>r1 max =</p> <p>r2 =</p> <p>Hülsenhals</p> <p>H1 =</p> <p>H2 ¹⁾ = 9.63</p> <p>Geschossübergang</p> <p>G1 ¹⁾* = 9.50</p> <p>G ¹⁾* = 7.23</p> <p>α1 = 90°</p> <p>h* = 0.07</p> <p>s =</p> <p>i ¹⁾ = 2°</p> <p>w =</p> <p>Lauf</p> <p>F ¹⁾* = 9.00</p> <p>Z ¹⁾ = 9.40</p> <p>Züge</p> <p>b =</p> <p>N =</p> <p>u = 508.00</p> <p>Q = 63.62 mm²</p>	
				
	Maßstab 1.5:1			
<p>Maße in << mm >></p> <p>Maße und Toleranzen für Messläufe siehe Anhang CR 1.</p>		<p>Bemerkungen: 1) Kontrolle aus Sicherheitsgründen * Grundmaße</p>		

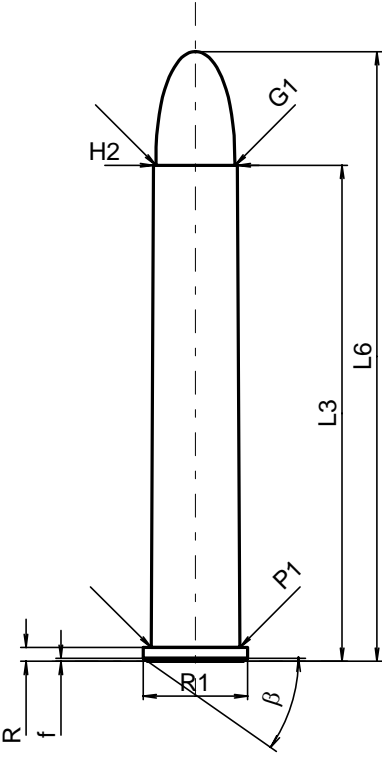
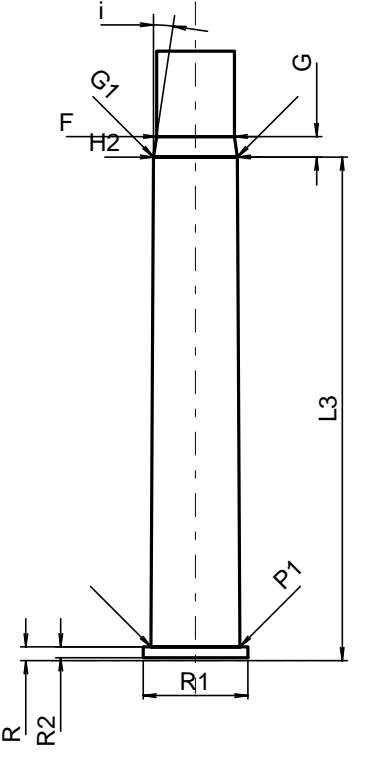
C.I.P.	40-60 Win.	TAB.	II
		Datum	07-05-15
		Revision	08-04-15
Ursprungsland: US			
	PATRONE MAXI	PATRONENLAGER MINI	
	<p>Längen</p> <p>L1 = 31.07 L2 = 36.71 L3 ¹⁾ = 47.50 L4 = L5 = L6 = 57.28</p> <p>Hülsenboden</p> <p>R ¹⁾ = 1.63 -0.25 R1 = 16.00 R3 = E = E1 = e min = delta = f = 0.30 beta = 35°</p> <p>Pulverkammer</p> <p>P1 = 12.85 P2 * = 11.30</p> <p>Schulterkonus</p> <p>alpha * = 3°57'37" S * = 194.49 r1 min = r2 =</p> <p>Hülsenhals</p> <p>H1 * = 10.91 H2 ¹⁾ = 10.91</p> <p>Geschoss</p> <p>G1 ¹⁾ = 10.31 G2 = F = L3+G ¹⁾ = 48.79</p> <p>Drücke (Energien)</p> <p>Mech. elektr. Wandler</p> <p>Pmax = 1920 bar PK = 2208 bar PE = 2400 bar M = 25.00 EE = 3200 Joule</p> <p>Verschiedene Daten</p> <p>Fe ¹⁾⁴⁾ = 0.15 delta L =</p>	<p>Längen</p> <p>L1 = 30.76 L2 = 36.17 L3 ¹⁾ = 47.80</p> <p>Stoßboden</p> <p>R ¹⁾ = 1.63 R1 = 16.05 R2 = R3 = r =</p> <p>Pulverkammer</p> <p>E = P1 ¹⁾ = 12.88 P2 * = 11.33</p> <p>Schulterkonus</p> <p>alpha * = 3°55' S * = 196.42 r1 max = r2 =</p> <p>Hülsenhals</p> <p>H1 * = 10.96 H2 ¹⁾ = 10.96</p> <p>Geschossübergang</p> <p>G1 ¹⁾* = 10.34 G ¹⁾ = 1.29 alpha 1 * = 180° h = s = i ¹⁾* = 4°25'58" w =</p> <p>Lauf</p> <p>F ¹⁾* = 10.14 Z ¹⁾ = 10.26</p> <p>Züge</p> <p>b = 3.19 N = 6 u = 1016.00 Q = 81.92 mm²</p>	
Maßstab 1:2.5			
Maße in << mm >> Maße und Toleranzen für Messläufe siehe Anhang CR 1.		Bemerkungen: 1) Kontrolle aus Sicherheitsgründen 4) Verschlussabstand an Rand * Grundmaße	

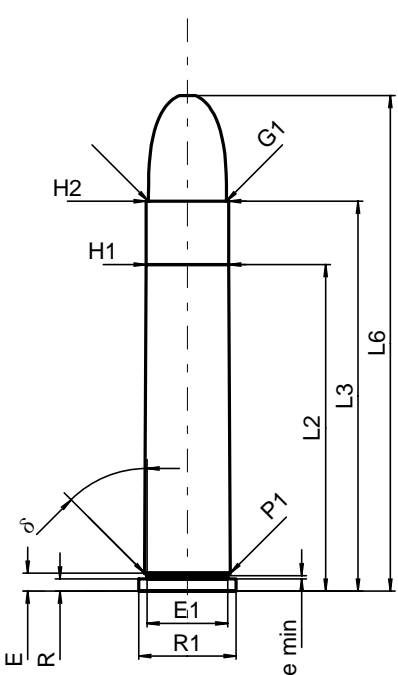
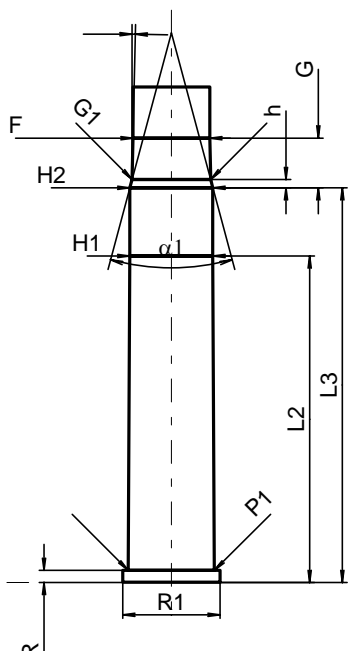
C.I.P.	40-82 Win.		TAB.	II
	Ursprungsland: US		Datum	84-06-14
			Revision	02-05-15
	PATRONE MAXI		PATRONENLAGER MINI	
	<p>Längen</p> <p>L1 = 44.91 L2 = 49.27 L3 ¹⁾ = 60.71 L4 = L5 = L6 = 70.23</p> <p>Hülsenboden</p> <p>R ¹⁾ = 1.78 -0.25 R1 = 15.49 R3 = E = E1 = e min = delta = f = beta = 45°</p> <p>Pulverkammer</p> <p>P1 = 12.92 P2 * = 11.54</p> <p>Schulterkonus</p> <p>alpha * = 8°55' S * = 118.91 r1 min = 25.40 r2 =</p> <p>Hülsenhals</p> <p>H1 * = 10.86 H2 ¹⁾ = 10.85</p> <p>Geschoss</p> <p>G1 ¹⁾ = 10.35 G2 = F = L3+G ¹⁾ = 61.90</p> <p>Drücke (Energien)</p> <p>Mech. elektr. Wandler</p> <p>Pmax = 1650 bar PK = 1898 bar PE = 2060 bar M = 25.00 EE = 1590 Joule</p> <p>Verschiedene Daten</p> <p>Fe ¹⁾ = 0.15 delta L =</p>		<p>Längen</p> <p>L1 = 44.83 L2 = 49.25 L3 ¹⁾ = 61.85</p> <p>Stoßboden</p> <p>R ¹⁾ = 1.78 R1 = 15.75 R2 = R3 = r =</p> <p>Pulverkammer</p> <p>E = P1 ¹⁾ = 12.95 P2 * = 11.56</p> <p>Schulterkonus</p> <p>alpha * = 8°55' S * = 118.96 r1 max = 25.00 r2 =</p> <p>Hülsenhals</p> <p>H1 * = 10.87 H2 ¹⁾ = 10.85</p> <p>Geschossübergang</p> <p>G1 ¹⁾* = 10.85 G ¹⁾ = 1.19 alpha 1 * = 30° h = s = i ¹⁾* = 15° w =</p> <p>Lauf</p> <p>F ¹⁾* = 10.21 Z ¹⁾ = 10.36</p> <p>Züge</p> <p>b = 3.19 N = 6 u = 406.00 Q = 83.33 mm²</p>	
				
Maßstab 1:1.5				
Maße in << mm >> Maße und Toleranzen für Messläufe siehe Anhang CR 1.		Bemerkungen: 1) Kontrolle aus Sicherheitsgründen * Grundmaße		

C.I.P.	400 Purdey 3"		TAB.	II
	Ursprungsland: GB		Datum	84-06-14
			Revision	07-05-14
	PATRONE MAXI		PATRONENLAGER MINI	
	Längen L1 = L2 = L3 ¹⁾ = 76.20 L4 = L5 = L6 = 91.44 Hülsenboden R ¹⁾ = 1.32 R1 = 13.26 R3 = E = E1 = e min = δ = f = β = Pulverkammer P1 = 11.99 P2 = Schulterkonus α = S = r1 min = r2 = Hülsenhals H1 = H2 ¹⁾ = 10.85 Geschoss G1 ¹⁾ = 10.29 G2 = F = L3+G ¹⁾ = 86.36 Drücke (Energien) Mech. elektr. Wandler Pmax = 2400 bar PK = 2760 bar PE = 3000 bar M = 25.00 EE = 3300 Joule Verschiedene Daten Fe ¹⁾⁴⁾ = 0.15 delta L =		Längen L1 = L2 = L3 ¹⁾ = 76.45 Stoßboden R ¹⁾ = 1.35 R1 = 13.51 R2 = R3 = r = Pulverkammer E = P1 ¹⁾ = 12.01 P2 = Schulterkonus α = S = r1 max = r2 = Hülsenhals H1 = H2 ¹⁾ = 10.87 Geschossübergang G1 ¹⁾ * = 10.33 G ¹⁾ = 10.16 α1 * = 90° h = 0.27 s = 5.08 i ¹⁾ * = 1°24'34" w = Lauf F ¹⁾ * = 10.08 Z ¹⁾ = 10.33 Züge b = 3.56 N = 7 u = 381.00 Q = 82.98 mm ²	
	Maßstab 1:1.5 Maße in << mm >> Maße und Toleranzen für Messläufe siehe Anhang .			
Bemerkungen: 1) Kontrolle aus Sicherheitsgründen 4) Verschlussabstand an Rand * Grundmaße				

C.I.P.	400/350 N.E.		TAB.	II
	Ursprungsland: GB		Datum	84-06-14
			Revision	02-05-15
	PATRONE MAXI		PATRONENLAGER MINI	
	<p>Längen</p> <p>L1* = 53.34 L2* = 57.15 L3¹⁾ = 69.85 L4 = L5 = L6 = 93.73</p> <p>Hülsenboden</p> <p>R¹⁾ = 1.27 -0.25 R1 = 13.46 R3 = E = E1 = e min = delta = f = beta =</p> <p>Pulverkammer</p> <p>P1 = 11.96 P2* = 10.64</p> <p>Schulterkonus</p> <p>alpha = 13°37'13" S = 97.89 r1 min = 8.13 r2 = 8.13</p> <p>Hülsenhals</p> <p>H1* = 9.73 H2¹⁾ = 9.70</p> <p>Geschoss</p> <p>G1¹⁾ = 9.04 G2 = F = L3+G¹⁾ = 80.48</p> <p>Drücke (Energien)</p> <p>Mech. elektr. Wandler</p> <p>Pmax = 2800 bar PK = 3220 bar PE = 3500 bar M = 25.00 EE = 4292 Joule</p> <p>Verschiedene Daten</p> <p>Fe¹⁾ = 0.15 delta L =</p>		<p>Längen</p> <p>L1* = 53.37 L2* = 57.18 L3¹⁾ = 70.10</p> <p>Stoßboden</p> <p>R¹⁾ = 1.30 R1 = 13.72 R2 = R3 = r =</p> <p>Pulverkammer</p> <p>E = P1¹⁾ = 11.99 P2* = 10.67</p> <p>Schulterkonus</p> <p>alpha = 13°46'07" S = 97.56 r1 max = r2 =</p> <p>Hülsenhals</p> <p>H1* = 9.75 H2¹⁾ = 9.73</p> <p>Geschossübergang</p> <p>G1¹⁾* = 9.10 G¹⁾* = 10.63 alpha1 = 90° h* = 0.32 s = i¹⁾ = 1°15'01" w =</p> <p>Lauf</p> <p>F¹⁾* = 8.65 Z¹⁾ = 9.00</p> <p>Züge</p> <p>b = N = u = 406.00 Q = 58.77 mm²</p>	
	<p>Maßstab 1:1</p> <p>Maße in << mm >> Maße und Toleranzen für Messläufe siehe Anhang CR 1.</p>			
		<p>Bemerkungen: 1) Kontrolle aus Sicherheitsgründen * Grundmaße</p>		

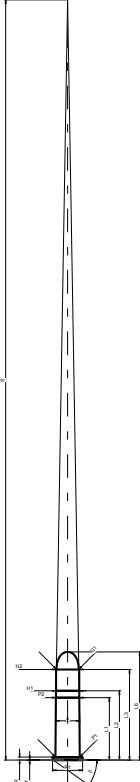
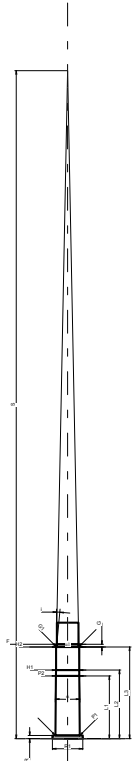
C.I.P.	401 Win. SL		TAB.	II
	Ursprungsland: US		Datum	84-06-14
			Revision	02-05-15
	PATRONE MAXI		PATRONENLAGER MINI	
	<p>Längen</p> <p>L1 =</p> <p>L2 =</p> <p>L3 ¹⁾ = 38.10</p> <p>L4 =</p> <p>L5 =</p> <p>L6 = 50.93</p> <p>Hülsenboden</p> <p>R ¹⁾ = 1.52 -0.25</p> <p>R1 = 11.68</p> <p>R3 =</p> <p>E = 4.30</p> <p>E1 = 10.31</p> <p>e min =</p> <p>delta = 7°</p> <p>f = 0.38</p> <p>beta = 35°</p> <p>Pulverkammer</p> <p>P1 = 11.00</p> <p>P2 =</p> <p>Schulterkonus</p> <p>alpha =</p> <p>S =</p> <p>r1 min =</p> <p>r2 =</p> <p>Hülsenhals</p> <p>H1 =</p> <p>H2 ¹⁾ = 10.99</p> <p>Geschoss</p> <p>G1 ¹⁾ = 10.34</p> <p>G2 =</p> <p>F =</p> <p>L3+G ¹⁾ = 48.80</p> <p>Drücke (Energien)</p> <p>Mech. elektr. Wandler</p> <p>Pmax = 2450 bar</p> <p>PK = 2818 bar</p> <p>PE = 3060 bar</p> <p>M = 25.00</p> <p>EE = 2655 Joule</p> <p>Verschiedene Daten</p> <p>Fe ¹⁾ = 0.15</p> <p>delta L =</p>		<p>Längen</p> <p>L1 =</p> <p>L2 =</p> <p>L3 ¹⁾ = 38.00</p> <p>Stoßboden</p> <p>R ¹⁾ = 1.52</p> <p>R1 = 11.91</p> <p>R2 =</p> <p>R3 =</p> <p>r =</p> <p>Pulverkammer</p> <p>E =</p> <p>P1 ¹⁾ = 11.13</p> <p>P2 =</p> <p>Schulterkonus</p> <p>alpha =</p> <p>S =</p> <p>r1 max =</p> <p>r2 =</p> <p>Hülsenhals</p> <p>H1 =</p> <p>H2 ¹⁾ = 11.05</p> <p>Geschossübergang</p> <p>G1 ¹⁾* = 10.38</p> <p>G ¹⁾ = 10.70</p> <p>alpha1 * = 30°</p> <p>h = 1.25</p> <p>s =</p> <p>i ¹⁾* = 0°40'</p> <p>w =</p> <p>Lauf</p> <p>F ¹⁾* = 10.16</p> <p>Z ¹⁾ = 10.33</p> <p>Züge</p> <p>b = 3.19</p> <p>N = 6</p> <p>u = 406.00</p> <p>Q = 82.73 mm²</p>	
	<p>Maßstab 1:1</p> <p>Maße in << mm >></p> <p>Maße und Toleranzen für Messläufe siehe Anhang CR 1.</p>			
		<p>Bemerkungen: 1) Kontrolle aus Sicherheitsgründen * Grundmaße</p>		

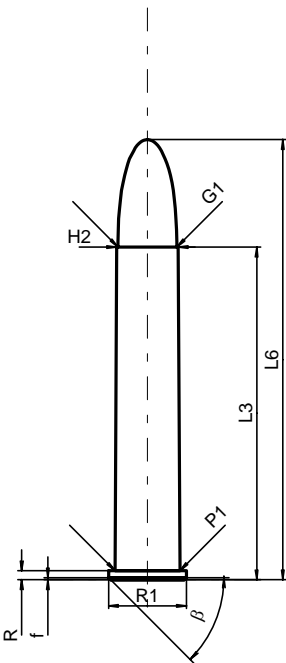
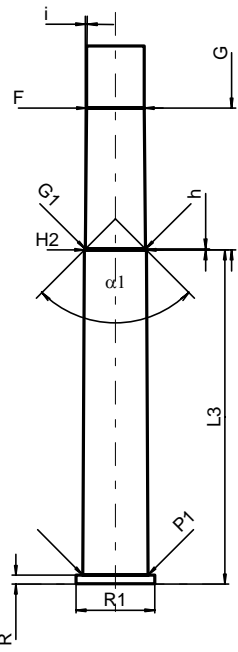
C.I.P.	405 Win.		TAB.	II
	Ursprungsland: US		Datum	84-06-14
			Revision	02-05-15
	PATRONE MAXI		PATRONENLAGER MINI	
	<p>Längen</p> <p>L1 =</p> <p>L2 =</p> <p>L3 ¹⁾ = 65.61</p> <p>L4 =</p> <p>L5 =</p> <p>L6 = 80.64</p> <p>Hülsenboden</p> <p>R ¹⁾ = 1.85 -0.25</p> <p>R1 = 13.79</p> <p>R3 =</p> <p>E =</p> <p>E1 =</p> <p>e min =</p> <p>delta =</p> <p>f = 0.40</p> <p>beta = 35°</p> <p>Pulverkammer</p> <p>P1 = 11.73</p> <p>P2 =</p> <p>Schulterkonus</p> <p>alpha =</p> <p>S =</p> <p>r1 min =</p> <p>r2 =</p> <p>Hülsenhals</p> <p>H1 =</p> <p>H2 ¹⁾ = 11.07</p> <p>Geschoss</p> <p>G1 ¹⁾ = 10.45</p> <p>G2 =</p> <p>F =</p> <p>L3+G ¹⁾ = 68.32</p> <p>Drücke (Energien)</p> <p>Mech. elektr. Wandler</p> <p>Pmax = 2450 bar</p> <p>PK = 2818 bar</p> <p>PE = 3060 bar</p> <p>M = 25.00</p> <p>EE = 4490 Joule</p> <p>Verschiedene Daten</p> <p>Fe ¹⁾ = 0.15</p> <p>delta L =</p>		<p>Längen</p> <p>L1 =</p> <p>L2 =</p> <p>L3 ¹⁾ = 66.62</p> <p>Stoßboden</p> <p>R ¹⁾ = 1.85</p> <p>R1 = 13.85</p> <p>R2 = 1.47</p> <p>R3 =</p> <p>r =</p> <p>Pulverkammer</p> <p>E =</p> <p>P1 ¹⁾ = 11.76</p> <p>P2 =</p> <p>Schulterkonus</p> <p>alpha =</p> <p>S =</p> <p>r1 max =</p> <p>r2 =</p> <p>Hülsenhals</p> <p>H1 =</p> <p>H2 ¹⁾ = 11.10</p> <p>Geschossübergang</p> <p>G1 ¹⁾* = 11.10</p> <p>G ¹⁾ = 2.71</p> <p>alpha1 =</p> <p>h =</p> <p>s =</p> <p>i ¹⁾* = 8°30'</p> <p>w =</p> <p>Lauf</p> <p>F ¹⁾* = 10.29</p> <p>Z ¹⁾ = 10.49</p> <p>Züge</p> <p>b = 3.23</p> <p>N = 6</p> <p>u = 356.00</p> <p>Q = 85.13 mm²</p>	
				
Maßstab 1:1 Maße in << mm >> Maße und Toleranzen für Messläufe siehe Anhang CR 1.		Bemerkungen: 1) Kontrolle aus Sicherheitsgründen * Grundmaße		

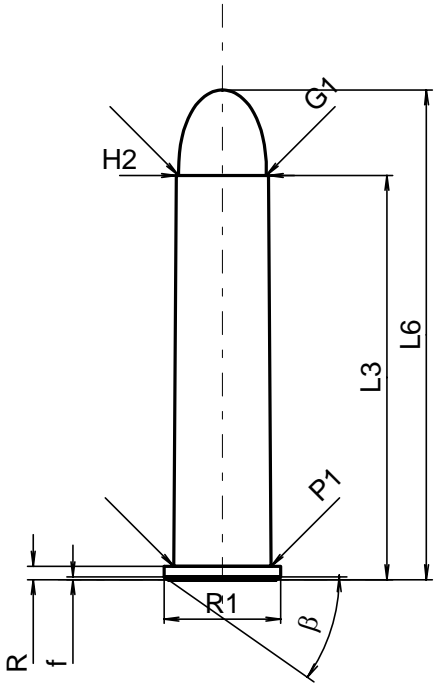
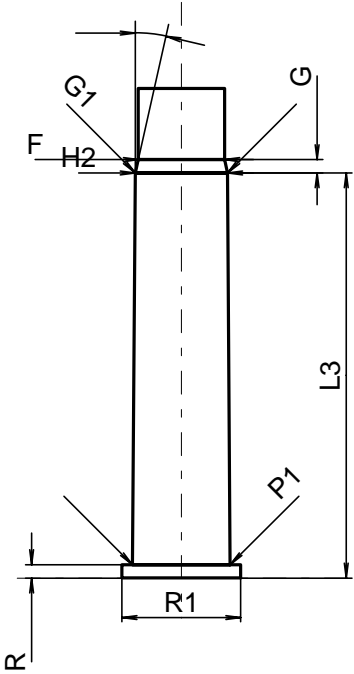
C.I.P.	408 Win.		TAB.	II
	Ursprungsland: US		Datum	84-06-14
			Revision	02-05-15
	PATRONE MAXI		PATRONENLAGER MINI	
	<p>Längen</p> <p>L1 =</p> <p>L2 = 43.18</p> <p>L3¹⁾ = 51.56</p> <p>L4 =</p> <p>L5 =</p> <p>L6 = 65.53</p> <p>Hülsenboden</p> <p>R¹⁾ = 1.60 -0.25</p> <p>R1 = 12.85</p> <p>R3 =</p> <p>E = 2.36</p> <p>E1 = 10.67</p> <p>e min = 0.43</p> <p>δ = 45°</p> <p>f =</p> <p>β =</p> <p>Pulverkammer</p> <p>P1 = 11.33</p> <p>P2 =</p> <p>Schulterkonus</p> <p>α =</p> <p>S =</p> <p>r1 min =</p> <p>r2 =</p> <p>Hülsenhals</p> <p>H1* = 10.92</p> <p>H2¹⁾ = 10.92</p> <p>Geschoss</p> <p>G1¹⁾ = 10.31</p> <p>G2 =</p> <p>F =</p> <p>L3+G¹⁾ = 58.14</p> <p>Drücke (Energien)</p> <p>Mech. elektr. Wandler</p> <p>Pmax = 4100 bar</p> <p>PK = 4715 bar</p> <p>PE = 5125 bar</p> <p>M = 25.00</p> <p>EE = 4190 Joule</p> <p>Verschiedene Daten</p> <p>Fe¹⁾ = 0.10</p> <p>delta L =</p>		<p>Längen</p> <p>L1 =</p> <p>L2 = 43.18</p> <p>L3¹⁾ = 52.20</p> <p>Stoßboden</p> <p>R¹⁾ = 1.60</p> <p>R1 = 12.88</p> <p>R2 =</p> <p>R3 =</p> <p>r =</p> <p>Pulverkammer</p> <p>E =</p> <p>P1¹⁾ = 11.39</p> <p>P2 =</p> <p>Schulterkonus</p> <p>α =</p> <p>S =</p> <p>r1 max =</p> <p>r2 =</p> <p>Hülsenhals</p> <p>H1* = 10.97</p> <p>H2¹⁾ = 10.97</p> <p>Geschossübergang</p> <p>G1¹⁾* = 10.38</p> <p>G¹⁾ = 6.58</p> <p>α1* = 30°</p> <p>h = 1.10</p> <p>s =</p> <p>i¹⁾* = 1°12'08"</p> <p>w =</p> <p>Lauf</p> <p>F¹⁾* = 10.15</p> <p>Z¹⁾ = 10.33</p> <p>Züge</p> <p>b = 3.19</p> <p>N = 6</p> <p>u = 356.00</p> <p>Q = 82.67 mm²</p>	
				
Maßstab 1:1				
Maße in << mm >> Maße und Toleranzen für Messläufe siehe Anhang CR 1.	Bemerkungen: 1) Kontrolle aus Sicherheitsgründen * Grundmaße			

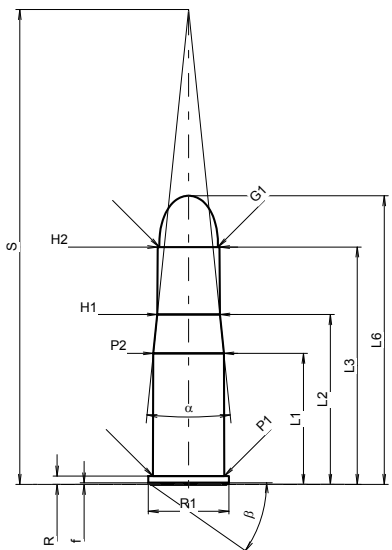
C.I.P.	44-40 Win.		TAB.	II
	Ursprungsland: US		Datum	84-06-14
			Revision	02-05-15
	PATRONE MAXI		PATRONENLAGER MINI	
	<p>Längen</p> <p>L1 = 23.58 L2 = 25.79 L3¹⁾ = 33.15 L4 = L5 = L6 = 40.44</p> <p>Hülsenboden</p> <p>R¹⁾ = 1.65 -0.25 R1 = 13.34 R3 = E = E1 = e min = delta = f = 0.38 beta = 35°</p> <p>Pulverkammer</p> <p>P1 = 11.97 P2* = 11.60</p> <p>Schulterkonus</p> <p>alpha* = 8° S* = 106.52 r1 min = 5.08 r2 = 5.08</p> <p>Hülsenhals</p> <p>H1* = 11.29 H2¹⁾ = 11.25</p> <p>Geschoss</p> <p>G1¹⁾ = 10.85 G2 = F = L3+G¹⁾ = 37.31</p> <p>Drücke (Energien)</p> <p>Mech. elektr. Wandler</p> <p>Pmax = 1100 bar PK = 1265 bar PE = 1375 bar M = 17.50 EE = 890 Joule</p> <p>Verschiedene Daten</p> <p>Fe¹⁾ = 0.15 delta L =</p>		<p>Längen</p> <p>L1 = 23.32 L2 = 25.48 L3¹⁾ = 33.35</p> <p>Stoßboden</p> <p>R¹⁾ = 1.65 R1 = 13.59 R2 = R3 = r =</p> <p>Pulverkammer</p> <p>E = P1¹⁾ = 11.98 P2* = 11.65</p> <p>Schulterkonus</p> <p>alpha* = 9° S* = 97.33 r1 max = 5.08 r2 = 5.08</p> <p>Hülsenhals</p> <p>H1* = 11.31 H2¹⁾ = 11.27</p> <p>Geschossübergang</p> <p>G1¹⁾* = 11.27 G¹⁾ = 4.16 alpha1* = 180° h = s = i¹⁾* = 3°43' w =</p> <p>Lauf</p> <p>F¹⁾* = 10.73 Z¹⁾ = 10.88</p> <p>Züge</p> <p>b = 3.37 N = 6 u = 914.00 Q = 91.97 mm²</p>	
Maßstab 1:1				
Maße in << mm >> Maße und Toleranzen für Messläufe siehe Anhang CR 1.		Bemerkungen: 1) Kontrolle aus Sicherheitsgründen * Grundmaße		

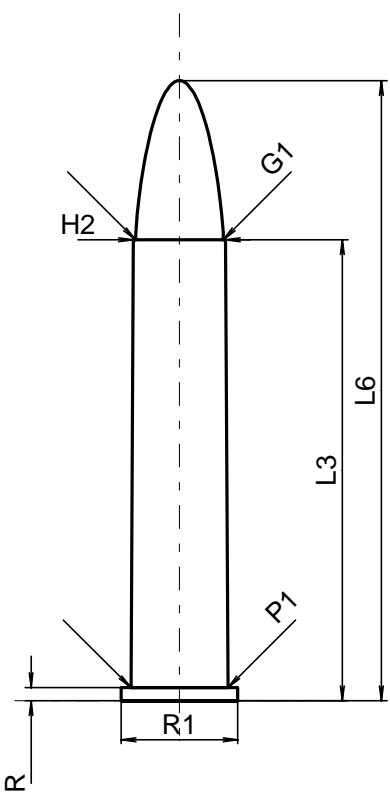
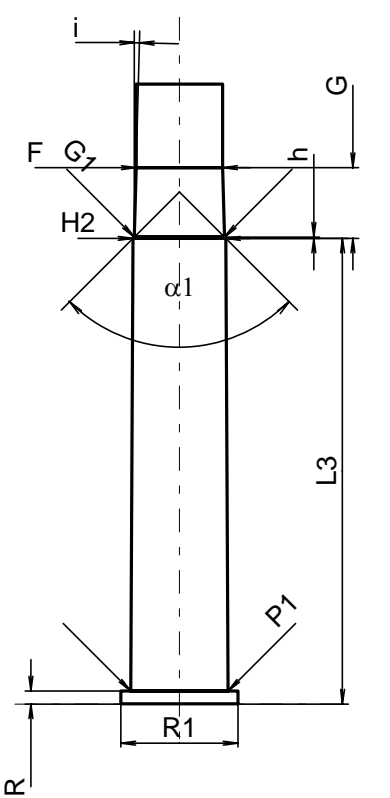
C.I.P.	444 Marlin		TAB.	II
	Ursprungsland: US		Datum	84-06-14
			Revision	02-05-15
	PATRONE MAXI		PATRONENLAGER MINI	
	<p>Längen</p> <p>L1 =</p> <p>L2 =</p> <p>L3 ¹⁾ = 56.52</p> <p>L4 =</p> <p>L5 =</p> <p>L6 = 65.28</p> <p>Hülsenboden</p> <p>R ¹⁾ = 1.60 -0.25</p> <p>R1 = 13.06</p> <p>R3 =</p> <p>E = 2.50</p> <p>E1 = 11.43</p> <p>e min = 0.64</p> <p>δ = 45°</p> <p>f = 0.38</p> <p>β = 35°</p> <p>Pulverkammer</p> <p>P1 = 11.95</p> <p>P2 =</p> <p>Schulterkonus</p> <p>α =</p> <p>S =</p> <p>r1 min =</p> <p>r2 =</p> <p>Hülsenhals</p> <p>H1 =</p> <p>H2 ¹⁾ = 11.51</p> <p>Geschoss</p> <p>G1 ¹⁾ = 10.93</p> <p>G2 =</p> <p>F =</p> <p>L3+G ¹⁾ = 58.10</p> <p>Drücke (Energien)</p> <p>Mech. elektr. Wandler</p> <p>Pmax = 3550 bar</p> <p>PK = 4083 bar</p> <p>PE = 4440 bar</p> <p>M = 25.00</p> <p>EE = 3287 Joule</p> <p>Verschiedene Daten</p> <p>Fe ¹⁾ = 0.15</p> <p>delta L =</p>		<p>Längen</p> <p>L1 =</p> <p>L2 =</p> <p>L3 ¹⁾ = 56.90</p> <p>Stoßboden</p> <p>R ¹⁾ = 1.60</p> <p>R1 = 13.31</p> <p>R2 =</p> <p>R3 =</p> <p>r =</p> <p>Pulverkammer</p> <p>E =</p> <p>P1 ¹⁾ = 11.98</p> <p>P2 =</p> <p>Schulterkonus</p> <p>α =</p> <p>S =</p> <p>r1 max =</p> <p>r2 =</p> <p>Hülsenhals</p> <p>H1 =</p> <p>H2 ¹⁾ = 11.54</p> <p>Geschossübergang</p> <p>G1 ¹⁾* = 11.00</p> <p>G ¹⁾ = 1.58</p> <p>α1 * = 90°</p> <p>h = 0.27</p> <p>s =</p> <p>i ¹⁾* = 5°</p> <p>w =</p> <p>Lauf</p> <p>F ¹⁾* = 10.77</p> <p>Z ¹⁾ = 10.92</p> <p>Züge</p> <p>b = 1.57</p> <p>N = 12</p> <p>u = 965.00</p> <p>Q = 92.52 mm²</p>	
Maßstab 1:1				
Maße in << mm >> Maße und Toleranzen für Messläufe siehe Anhang CR 1.		Bemerkungen: 1) Kontrolle aus Sicherheitsgründen * Grundmaße		

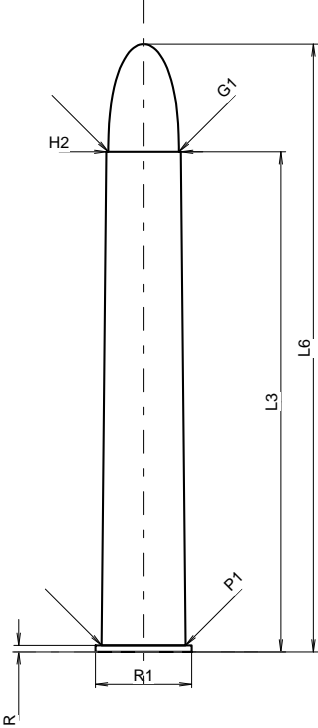
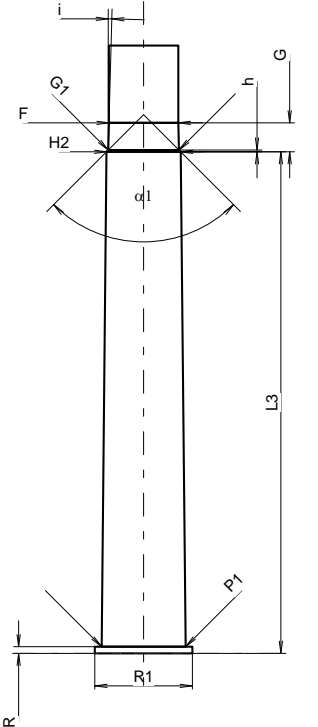
C.I.P.	45-60 Win.	TAB. II	
		Datum	07-05-15
		Revision	08-04-15
Ursprungsland: US			
	PATRONE MAXI	PATRONENLAGER MINI	
	<p>Längen</p> <p>L1 = 33.10 L2 = 36.67 L3 ¹⁾ = 48.01 L4 = L5 = L6 = 57.28</p> <p>Hülsenboden</p> <p>R ¹⁾ = 1.63 -0.25 R1 = 15.98 R3 = E = E1 = e min = δ = f = 0.30 β = 35°</p> <p>Pulverkammer</p> <p>P1 = 12.85 P2 * = 12.41</p> <p>Schulterkonus</p> <p>α * = 1°55'33" S * = 402.30 r1 min = r2 =</p> <p>Hülsenhals</p> <p>H1 * = 12.29 H2 ¹⁾ = 12.26</p> <p>Geschoss</p> <p>G1 ¹⁾ = 11.66 G2 = F = L3+G ¹⁾ = 49.39</p> <p>Drücke (Energien)</p> <p>Mech. elektr. Wandler</p> <p>Pmax = 1920 bar PK = 2208 bar PE = 2400 bar M = 25.00 EE = 3500 Joule</p> <p>Verschiedene Daten</p> <p>Fe ¹⁾⁴⁾ = 0.15 delta L =</p>	<p>Längen</p> <p>L1 = 33.19 L2 = 36.28 L3 ¹⁾ = 48.50</p> <p>Stoßboden</p> <p>R ¹⁾ = 1.63 R1 = 16.03 R2 = R3 = r =</p> <p>Pulverkammer</p> <p>E = P1 ¹⁾ = 12.88 P2 * = 12.44</p> <p>Schulterkonus</p> <p>α * = 2°13'30" S * = 353.52 r1 max = r2 =</p> <p>Hülsenhals</p> <p>H1 * = 12.32 H2 ¹⁾ = 12.29</p> <p>Geschossübergang</p> <p>G1 ¹⁾* = 11.69 G ¹⁾ = 1.38 α1 * = 180° h = s = i ¹⁾* = 5°22'54" w =</p> <p>Lauf</p> <p>F ¹⁾* = 11.43 Z ¹⁾ = 11.58</p> <p>Züge</p> <p>b = 3.58 N = 6 u = 508.00 Q = 104.25 mm²</p>	
			
Maßstab 1:4			
Maße in << mm >> Maße und Toleranzen für Messläufe siehe Anhang .	Bemerkungen: 1) Kontrolle aus Sicherheitsgründen 4) Verschlussabstand an Rand * Grundmaße		

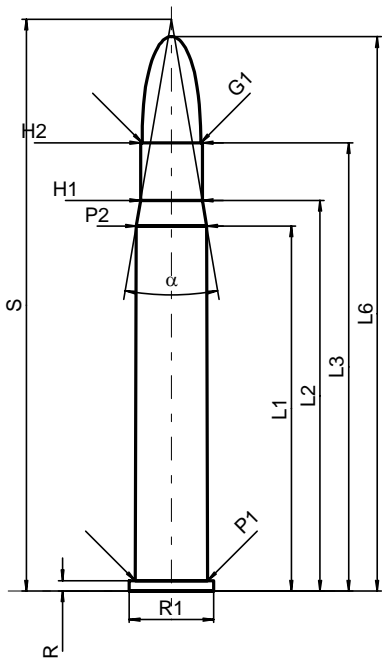
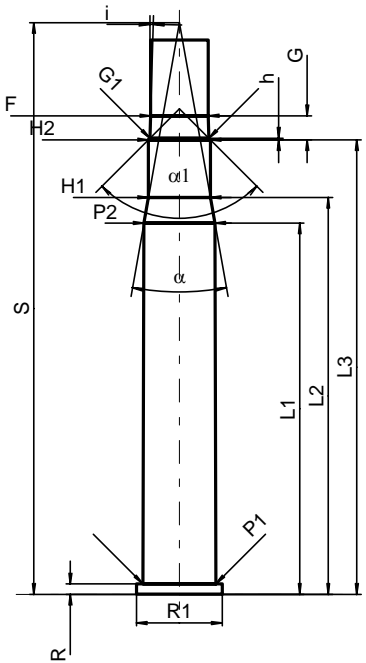
C.I.P.	45-70 Elko Mag.		TAB.	II
	Ursprungsland: BE		Datum	92-07-28
			Revision	02-05-15
	PATRONE MAXI		PATRONENLAGER MINI	
	<p>Längen</p> <p>L1 =</p> <p>L2 =</p> <p>L3 ¹⁾ = 66.00</p> <p>L4 =</p> <p>L5 =</p> <p>L6 = 87.30</p> <p>Hülsenboden</p> <p>R ¹⁾ = 1.78 -0.25</p> <p>R1 = 15.44</p> <p>R3 =</p> <p>E =</p> <p>E1 =</p> <p>e min =</p> <p>delta =</p> <p>f = 0.38</p> <p>beta = 45°</p> <p>Pulverkammer</p> <p>P1 = 12.88</p> <p>P2 =</p> <p>Schulterkonus</p> <p>alpha =</p> <p>S =</p> <p>r1 min =</p> <p>r2 =</p> <p>Hülsenhals</p> <p>H1 =</p> <p>H2 ¹⁾ = 12.22</p> <p>Geschoss</p> <p>G1 ¹⁾ = 11.66</p> <p>G2 =</p> <p>F =</p> <p>L3+G ¹⁾ = 94.15</p> <p>Drücke (Energien)</p> <p>Mech. elektr. Wandler</p> <p>Pmax = 2950 bar</p> <p>PK = 3393 bar</p> <p>PE = 3690 bar</p> <p>M = 25.00</p> <p>EE = 6400 Joule</p> <p>Verschiedene Daten</p> <p>Fe ¹⁾ = 0.15</p> <p>delta L =</p>		<p>Längen</p> <p>L1 =</p> <p>L2 =</p> <p>L3 ¹⁾ = 66.30</p> <p>Stoßboden</p> <p>R ¹⁾ = 1.78</p> <p>R1 = 15.60</p> <p>R2 =</p> <p>R3 =</p> <p>r =</p> <p>Pulverkammer</p> <p>E =</p> <p>P1 ¹⁾ = 12.91</p> <p>P2 =</p> <p>Schulterkonus</p> <p>alpha =</p> <p>S =</p> <p>r1 max =</p> <p>r2 =</p> <p>Hülsenhals</p> <p>H1 =</p> <p>H2 ¹⁾ = 12.27</p> <p>Geschossübergang</p> <p>G1 ¹⁾* = 11.91</p> <p>G ¹⁾* = 28.15</p> <p>alpha1 = 90°</p> <p>h* = 0.18</p> <p>s =</p> <p>i ¹⁾ = 0°29'30"</p> <p>w =</p> <p>Lauf</p> <p>F ¹⁾* = 11.43</p> <p>Z ¹⁾ = 11.58</p> <p>Züge</p> <p>b = 3.58</p> <p>N = 6</p> <p>u = 508.00</p> <p>Q = 104.25 mm²</p>	
	Maßstab 1:1.5			
	<p>Maße in << mm >></p> <p>Maße und Toleranzen für Messläufe siehe Anhang CR 1.</p>		<p>Bemerkungen: 1) Kontrolle aus Sicherheitsgründen * Grundmaße</p>	

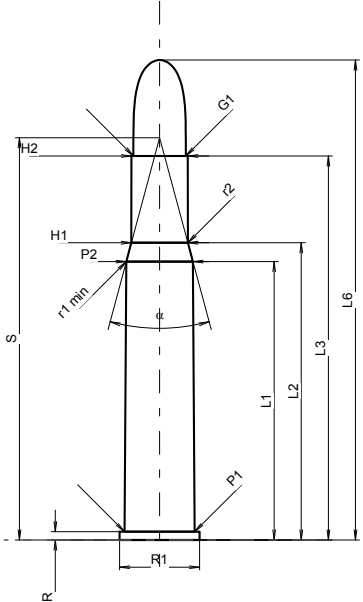
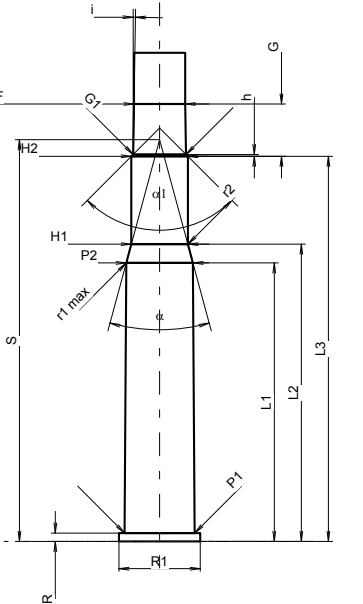
C.I.P.	45-70 Govt.		TAB.	II
	Ursprungsland: US		Datum	84-06-14
			Revision	02-05-15
	PATRONE MAXI		PATRONENLAGER MINI	
	<p>Längen</p> <p>L1 =</p> <p>L2 =</p> <p>L3¹⁾ = 53.47</p> <p>L4 =</p> <p>L5 =</p> <p>L6 = 64.77</p> <p>Hülsenboden</p> <p>R¹⁾ = 1.78 -0.25</p> <p>R1 = 15.44</p> <p>R3 =</p> <p>E =</p> <p>E1 =</p> <p>e min =</p> <p>delta =</p> <p>f = 0.38</p> <p>beta = 35°</p> <p>Pulverkammer</p> <p>P1 = 12.84</p> <p>P2 =</p> <p>Schulterkonus</p> <p>alpha =</p> <p>S =</p> <p>r1 min =</p> <p>r2 =</p> <p>Hülsenhals</p> <p>H1 =</p> <p>H2¹⁾ = 12.19</p> <p>Geschoss</p> <p>G1¹⁾ = 11.63</p> <p>G2 =</p> <p>F =</p> <p>L3+G¹⁾ = 55.22</p> <p>Drücke (Energien)</p> <p>Mech. elektr. Wandler</p> <p>Pmax = 2200 bar</p> <p>PK = 2530 bar</p> <p>PE = 2750 bar</p> <p>M = 25.00</p> <p>EE = 3414 Joule</p> <p>Verschiedene Daten</p> <p>Fe¹⁾ = 0.15</p> <p>delta L =</p>		<p>Längen</p> <p>L1 =</p> <p>L2 =</p> <p>L3¹⁾ = 53.59</p> <p>Stoßboden</p> <p>R¹⁾ = 1.78</p> <p>R1 = 15.70</p> <p>R2 =</p> <p>R3 =</p> <p>r =</p> <p>Pulverkammer</p> <p>E =</p> <p>P1¹⁾ = 12.91</p> <p>P2 =</p> <p>Schulterkonus</p> <p>alpha =</p> <p>S =</p> <p>r1 max =</p> <p>r2 =</p> <p>Hülsenhals</p> <p>H1 =</p> <p>H2¹⁾ = 12.22</p> <p>Geschossübergang</p> <p>G1¹⁾* = 12.22</p> <p>G¹⁾ = 1.75</p> <p>alpha1 =</p> <p>h =</p> <p>s =</p> <p>i¹⁾* = 12°45'</p> <p>w =</p> <p>Lauf</p> <p>F¹⁾* = 11.43</p> <p>Z¹⁾ = 11.58</p> <p>Züge</p> <p>b = 3.58</p> <p>N = 6</p> <p>u = 508.00</p> <p>Q = 104.25 mm²</p>	
				
<p>Maßstab 1:1</p> <p>Maße in << mm >></p> <p>Maße und Toleranzen für Messläufe siehe Anhang CR 1.</p>		<p>Bemerkungen: 1) Kontrolle aus Sicherheitsgründen * Grundmaße</p>		

C.I.P.	45-75 Win.	TAB.	II	
		Datum	07-05-15	
		Revision	08-04-15	
Ursprungsland: US				
	PATRONE MAXI	PATRONENLAGER MINI		
	Längen	Längen		
	L1 = 26.00	L1 = 26.12		
	L2 = 33.70	L2 = 33.74		
	L3 ¹⁾ = 47.10	L3 ¹⁾ = 47.18		
	L4 =			
	L5 =			
	L6 = 57.28			
	Hülsenboden	Stoßboden		
	R ¹⁾ = 1.63	R ¹⁾ = 1.63		
	R1 = 15.98	R1 = 16.03		
	R3 =	R2 =		
	E =	R3 =		
	E1 =	r =		
	e min =			
	delta =			
	f = 0.30			
	beta = 35°			
	Pulverkammer	Pulverkammer		
	P1 = 14.20	E =		
	P2 * = 14.00	P1 ¹⁾ = 14.23		
		P2 * = 14.03		
	Schulterkonus	Schulterkonus		
	alpha * = 11°42'57"	alpha * = 11°50'17"		
	S * = 94.23	S * = 93.78		
	r1 min =	r1 max =		
	r2 =	r2 =		
	Hülsenhals	Hülsenhals		
	H1 * = 12.42	H1 * = 12.45		
	H2 ¹⁾ = 12.26	H2 ¹⁾ = 12.29		
	Geschoss	Geschossübergang		
	G1 ¹⁾ = 11.66	G1 ¹⁾ * = 11.69		
	G2 =	G ¹⁾ = 1.38		
	F =	alpha 1 * = 180°		
	L3+G ¹⁾ = 48.48	h =		
		s =		
	Drücke (Energien)	i ¹⁾ * = 5°22'54"		
	Mech. elektr. Wandler	w =		
	Pmax = 2050 bar	Lauf		
	PK = 2358 bar	F ¹⁾ * = 11.43		
	PE = 2563 bar	Z ¹⁾ = 11.58		
	M = 25.00	Züge		
	EE = 3700 Joule	b = 3.58		
		N = 6		
		u = 508.00		
		Q = 104.25 mm ²		
	Verschiedene Daten			
	Fe ¹⁾⁴⁾ = 0.15			
	delta L =			
Maßstab 1:1.5				
Maße in << mm >> Maße und Toleranzen für Messläufe siehe Anhang CR 1.	Bemerkungen:	1) Kontrolle aus Sicherheitsgründen 4) Verschlussabstand an Rand * Grundmaße		

C.I.P.	45-90 WM		TAB.	II
	Ursprungsland: DE		Datum	03-04-08
			Revision	04-09-27
	PATRONE MAXI		PATRONENLAGER MINI	
	<p>Längen</p> <p>L1 =</p> <p>L2 =</p> <p>L3¹⁾ = 60.96</p> <p>L4 =</p> <p>L5 =</p> <p>L6 = 82.00</p> <p>Hülsenboden</p> <p>R¹⁾ = 1.73 -0.25</p> <p>R1 = 15.44</p> <p>R3 =</p> <p>E =</p> <p>E1 =</p> <p>e min =</p> <p>δ =</p> <p>f =</p> <p>β =</p> <p>Pulverkammer</p> <p>P1 = 12.82</p> <p>P2 =</p> <p>Schulterkonus</p> <p>α =</p> <p>S =</p> <p>r1 min =</p> <p>r2 =</p> <p>Hülsenhals</p> <p>H1 =</p> <p>H2¹⁾ = 12.22</p> <p>Geschoss</p> <p>G1¹⁾ = 11.63</p> <p>G2 =</p> <p>F =</p> <p>L3+G¹⁾ = 70.30</p> <p>Drücke (Energien)</p> <p>Mech. elektr. Wandler</p> <p>Pmax = 2200 bar</p> <p>PK = 2530 bar</p> <p>PE = 2750 bar</p> <p>M = 25.00</p> <p>EE = 3650 Joule</p> <p>Verschiedene Daten</p> <p>Fe = 0.15</p> <p>delta L =</p>		<p>Längen</p> <p>L1 =</p> <p>L2 =</p> <p>L3¹⁾ = 61.60</p> <p>Stoßboden</p> <p>R¹⁾ = 1.73</p> <p>R1 = 15.50</p> <p>R2 =</p> <p>R3 =</p> <p>r =</p> <p>Pulverkammer</p> <p>E =</p> <p>P1¹⁾ = 12.85</p> <p>P2 =</p> <p>Schulterkonus</p> <p>α =</p> <p>S =</p> <p>r1 max =</p> <p>r2 =</p> <p>Hülsenhals</p> <p>H1 =</p> <p>H2¹⁾ = 12.25</p> <p>Geschossübergang</p> <p>G1^{1)*} = 11.91</p> <p>G^{1)*} = 9.34</p> <p>α1 = 90°</p> <p>h* = 0.17</p> <p>s =</p> <p>i¹⁾ = 1°29'57"</p> <p>w =</p> <p>Lauf</p> <p>F^{1)*} = 11.43</p> <p>Z¹⁾ = 11.58</p> <p>Züge</p> <p>b = 3.58</p> <p>N = 6</p> <p>u = 508.00</p> <p>Q = 104.25 mm²</p>	
				
	<p>Maßstab 1:1</p> <p>Maße in << mm >></p> <p>Maße und Toleranzen für Messläufe siehe Anhang CR 1.</p>		<p>Bemerkungen: 1) Kontrolle aus Sicherheitsgründen * Grundmaße</p>	

C.I.P.	450 N.E. 3" 1/4		TAB.	II
	Ursprungsland: GB		Datum	84-06-14
			Revision	13-05-22
	PATRONE MAXI		PATRONENLAGER MINI	
	<p>Längen</p> <p>L1 =</p> <p>L2 =</p> <p>L3 ¹⁾ = 82.55</p> <p>L4 =</p> <p>L5 =</p> <p>L6 = 100.33</p> <p>Hülsenboden</p> <p>R ¹⁾ = 1.07 -0.25</p> <p>R1 = 15.85</p> <p>R3 =</p> <p>E =</p> <p>E1 =</p> <p>e min =</p> <p>δ =</p> <p>f =</p> <p>β =</p> <p>Pulverkammer</p> <p>P1 = 13.84</p> <p>P2 =</p> <p>Schulterkonus</p> <p>α =</p> <p>S =</p> <p>r1 min =</p> <p>r2 =</p> <p>Hülsenhals</p> <p>H1 =</p> <p>H2 ¹⁾ = 12.22</p> <p>Geschoss</p> <p>G1 ¹⁾ = 11.63</p> <p>G2 =</p> <p>F =</p> <p>L3+G ¹⁾ = 87.32</p> <p>Drücke (Energien)</p> <p>Mech. elektr. Wandler</p> <p>Pmax = 3050 bar</p> <p>PK = 3508 bar</p> <p>PE = 3810 bar</p> <p>M = 25.00</p> <p>EE = 7000 Joule</p> <p>Verschiedene Daten</p> <p>Fe ¹⁾⁴⁾ = 0.15</p> <p>delta L =</p>		<p>Längen</p> <p>L1 =</p> <p>L2 =</p> <p>L3 ¹⁾ = 82.80</p> <p>Stoßboden</p> <p>R ¹⁾ = 1.09</p> <p>R1 = 16.10</p> <p>R2 =</p> <p>R3 =</p> <p>r =</p> <p>Pulverkammer</p> <p>E =</p> <p>P1 ¹⁾ = 13.87</p> <p>P2 =</p> <p>Schulterkonus</p> <p>α =</p> <p>S =</p> <p>r1 max =</p> <p>r2 =</p> <p>Hülsenhals</p> <p>H1 =</p> <p>H2 ¹⁾ = 12.24</p> <p>Geschossübergang</p> <p>G1 ¹⁾* = 11.68</p> <p>G ¹⁾* = 4.77</p> <p>α1 = 90°</p> <p>h* = 0.28</p> <p>s =</p> <p>i ¹⁾ = 1°35'40"</p> <p>w =</p> <p>Lauf</p> <p>F ¹⁾* = 11.43</p> <p>Z ¹⁾ = 11.61</p> <p>Züge</p> <p>b = 3.56</p> <p>N = 7</p> <p>u = 381.00</p> <p>Q = 104.89 mm²</p>	
				
<p>Maßstab 1:1.25</p> <p>Maße in << mm >></p> <p>Maße und Toleranzen für Messläufe siehe Anhang CR 1.</p>		<p>Bemerkungen: 1) Kontrolle aus Sicherheitsgründen 4) Verschlussabstand an Rand * Grundmaße</p>		

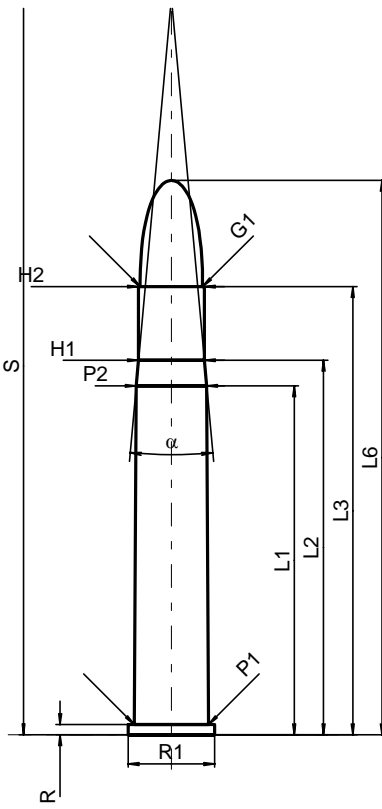
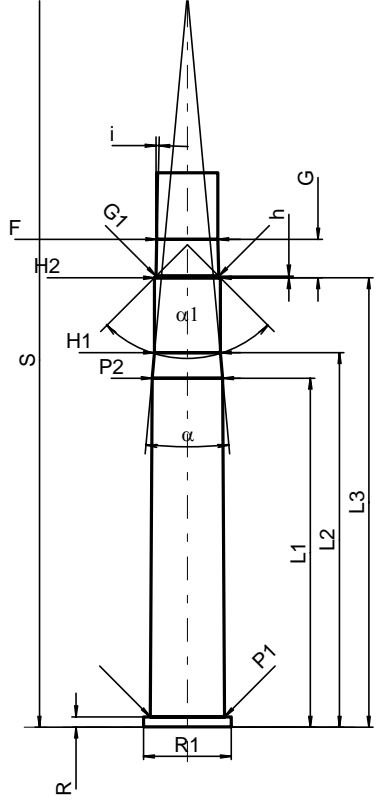
C.I.P.	450 No.2 N.E. 3"1/2 Eley Ursprungsland: GB	TAB. II
		Datum 98-01-27
		Revision 02-05-15
	PATRONE MAXI	PATRONENLAGER MINI
	<p>Längen</p> <p>L1* = 72.39 L2* = 77.47 L3¹⁾ = 88.90 L4 = L5 = L6 = 109.98</p> <p>Hülsenboden</p> <p>R¹⁾ = 2.03 -0.25 R1 = 16.76 R3 = E = E1 = e min = delta = f = beta =</p> <p>Pulverkammer</p> <p>P1 = 14.35 P2* = 13.97</p> <p>Schulterkonus</p> <p>alpha = 19°19'36" S = 113.41 r1 min = r2 =</p> <p>Hülsenhals</p> <p>H1* = 12.24 H2¹⁾ = 12.24</p> <p>Geschoss</p> <p>G1¹⁾ = 11.63 G2 = F = L3+G¹⁾ = 93.67</p> <p>Drücke (Energien)</p> <p>Mech. elektr. Wandler</p> <p>Pmax = 2800 bar PK = 3220 bar PE = 3500 bar M = 25.00 EE = 7140 Joule</p> <p>Verschiedene Daten</p> <p>Fe¹⁾ = 0.15 delta L =</p>	<p>Längen</p> <p>L1* = 73.66 L2* = 78.74 L3¹⁾ = 90.17</p> <p>Stoßboden</p> <p>R¹⁾ = 2.08 R1 = 17.01 R2 = R3 = r =</p> <p>Pulverkammer</p> <p>E = P1¹⁾ = 14.48 P2* = 14.09</p> <p>Schulterkonus</p> <p>alpha = 20°05'35" S = 113.43 r1 max = r2 =</p> <p>Hülsenhals</p> <p>H1* = 12.29 H2¹⁾ = 12.29</p> <p>Geschossübergang</p> <p>G1¹⁾* = 11.68 G¹⁾* = 4.77 alpha1 = 90° h* = 0.31 s = i¹⁾ = 1°36'19" w =</p> <p>Lauf</p> <p>F¹⁾* = 11.43 Z¹⁾ = 11.61</p> <p>Züge</p> <p>b = 3.56 N = 7 u = 381.00 Q = 104.89 mm²</p>
		
Maßstab 1:1.5		
Maße in << mm >> Maße und Toleranzen für Messläufe siehe Anhang CR 1.	Bemerkungen: 1) Kontrolle aus Sicherheitsgründen * Grundmaße	

C.I.P.	450/400 N.E. 3"		TAB.	II
	Ursprungsland: GB		Datum	84-06-14
			Revision	08-04-15
	PATRONE MAXI		PATRONENLAGER MINI	
	<p>Längen</p> <p>L1 * = 55.26 L2 * = 59.00 L3 ¹⁾ = 76.20 L4 = L5 = L6 = 95.25</p> <p>Hülsenboden</p> <p>R ¹⁾ = 1.65 -0.25 R1 = 15.87 R3 = E = E1 = e min = delta = f = beta =</p> <p>Pulverkammer</p> <p>P1 = 13.92 P2 * = 13.21</p> <p>Schulterkonus</p> <p>alpha = 30°04'56" S = 79.84 r1 min = 14.53 r2 = 14.53</p> <p>Hülsenhals</p> <p>H1 * = 11.20 H2 ¹⁾ = 11.18</p> <p>Geschoss</p> <p>G1 ¹⁾ = 10.41 G2 = F = L3+G ¹⁾ = 86.58</p> <p>Drücke (Energien)</p> <p>Mech. elektr. Wandler</p> <p>Pmax = 2800 bar PK = 3220 bar PE = 3500 bar M = 25.00 EE = 5310 Joule</p> <p>Verschiedene Daten</p> <p>Fe ¹⁾⁴⁾ = 0.15 delta L =</p>		<p>Längen</p> <p>L1 * = 55.29 L2 * = 59.02 L3 ¹⁾ = 76.45</p> <p>Stoßboden</p> <p>R ¹⁾ = 1.68 R1 = 16.13 R2 = R3 = r =</p> <p>Pulverkammer</p> <p>E = P1 ¹⁾ = 13.94 P2 * = 13.24</p> <p>Schulterkonus</p> <p>alpha ¹⁾ = 30°18'8" S = 79.74 r1 max = 14.53 r2 = 14.53</p> <p>Hülsenhals</p> <p>H1 * = 11.22 H2 ¹⁾ = 11.20</p> <p>Geschossübergang</p> <p>G1 ¹⁾* = 10.50 G ¹⁾* = 10.38 alpha 1 = 90° h * = 0.35 s = i ¹⁾ = 0°58'16" w =</p> <p>Lauf</p> <p>F ¹⁾* = 10.16 Z ¹⁾ = 10.41</p> <p>Züge</p> <p>b = 3.56 N = 7 u = 381.00 Q = 84.25 mm²</p>	
				
<p>Maßstab 1:1.5</p> <p>Maße in << mm >> Maße und Toleranzen für Messläufe siehe Anhang CR 1.</p>		<p>Bemerkungen: 1) Kontrolle aus Sicherheitsgründen 4) Verschlussabstand an Rand * Grundmaße</p>		

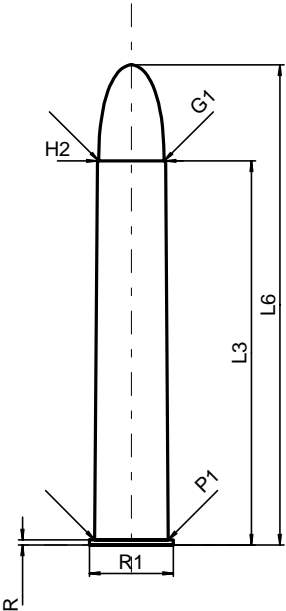
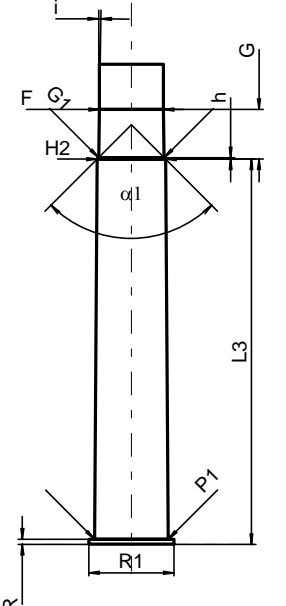
C.I.P.	450/400 Mag. N.E. 3" 1/4	TAB. II
		Datum 84-06-14
		Revision 02-05-15
Ursprungsland: GB		
	PATRONE MAXI	PATRONENLAGER MINI
	<p>Längen</p> <p>L1* = 50.80 L2* = 58.42 L3¹⁾ = 82.55 L4 = L5 = L6 = 100.33</p> <p>Hülsenboden</p> <p>R¹⁾ = 1.07 -0.25 R1 = 15.85 R3 = E = E1 = e min = delta = f = beta =</p> <p>Pulverkammer</p> <p>P1 = 13.84 P2* = 12.65</p> <p>Schulterkonus</p> <p>alpha = 11°14'33" S = 115.06 r1 min = 19.56 r2 = 19.56</p> <p>Hülsenhals</p> <p>H1* = 11.15 H2¹⁾ = 11.05</p> <p>Geschoss</p> <p>G1¹⁾ = 10.41 G2 = F = L3+G¹⁾ = 92.87</p> <p>Drücke (Energien)</p> <p>Mech. elektr. Wandler</p> <p>Pmax = 2950 bar PK = 3393 bar PE = 3690 bar M = 25.00 EE = 6993 Joule</p> <p>Verschiedene Daten</p> <p>Fe¹⁾ = 0.15 delta L =</p>	<p>Längen</p> <p>L1* = 50.83 L2* = 58.45 L3¹⁾ = 82.80</p> <p>Stoßboden</p> <p>R¹⁾ = 1.09 R1 = 16.10 R2 = R3 = r =</p> <p>Pulverkammer</p> <p>E = P1¹⁾ = 13.87 P2* = 12.67</p> <p>Schulterkonus</p> <p>alpha = 11°10'05" S = 115.63 r1 max = r2 =</p> <p>Hülsenhals</p> <p>H1* = 11.18 H2¹⁾ = 11.07</p> <p>Geschossübergang</p> <p>G1^{1)*} = 10.50 G^{1)*} = 10.32 alpha1 = 90° h* = 0.29 s = i¹⁾ = 0°58'15" w =</p> <p>Lauf</p> <p>F^{1)*} = 10.16 Z¹⁾ = 10.41</p> <p>Züge</p> <p>b = 3.56 N = 7 u = 381.00 Q = 84.25 mm²</p>
Maßstab 1:1.5		
Maße in << mm >> Maße und Toleranzen für Messläufe siehe Anhang CR 1.		Bemerkungen: 1) Kontrolle aus Sicherheitsgründen * Grundmaße

C.I.P.	470 N.E.	TAB.	II
		Datum	84-06-14
		Revision	13-05-22
Ursprungsland: GB			
	PATRONE MAXI		PATRONENLAGER MINI
	<p>Längen</p> <p>L1 * = 60.96 L2 * = 63.50 L3 1) = 82.55 L4 = L5 = L6 = 101.09</p> <p>Hülsenboden</p> <p>R 1) = 1.02 -0.25 R1 = 16.64 R3 = E = E1 = e min = delta = f = 0.30 beta = 45°</p> <p>Pulverkammer</p> <p>P1 = 14.55 P2 * = 13.49</p> <p>Schulterkonus</p> <p>alpha = 14°21'39" S = 114.50 r1 min = 6.35 r2 = 6.35</p> <p>Hülsenhals</p> <p>H1 * = 12.85 H2 1) = 12.80</p> <p>Geschoss</p> <p>G1 1) = 12.04 G2 = F = L3+G 1) = 91.51</p> <p>Drücke (Energien)</p> <p>Mech. elektr. Wandler</p> <p>Pmax = 2700 bar PK = 3105 bar PE = 3375 bar M = 25.00 EE = 6957 Joule</p> <p>Verschiedene Daten</p> <p>Fe 1)4) = 0.15 delta L =</p>		<p>Längen</p> <p>L1 * = 60.99 L2 * = 63.53 L3 1) = 82.80</p> <p>Stoßboden</p> <p>R 1) = 1.04 R1 = 16.89 R2 = R3 = r =</p> <p>Pulverkammer</p> <p>E = P1 1) = 14.58 P2 * = 13.51</p> <p>Schulterkonus</p> <p>alpha = 14°08'20" S = 115.46 r1 max = r2 =</p> <p>Hülsenhals</p> <p>H1 * = 12.88 H2 1) = 12.83</p> <p>Geschossübergang</p> <p>G1 1)* = 12.10 G 1)* = 8.96 alpha 1 = 90° h * = 0.37 s = i 1) = 0°50' w =</p> <p>Lauf</p> <p>F 1)* = 11.85 Z 1) = 12.05</p> <p>Züge</p> <p>b = 3.48 N = 7 u = 533.00 Q = 112.76 mm²</p>
	<p>Maßstab 1:1.37</p> <p style="text-align: center;">Maße in << mm >> Maße und Toleranzen für Messläufe siehe Anhang CR 1.</p>		<p>Bemerkungen: 1) Kontrolle aus Sicherheitsgründen 4) Verschlussabstand an Rand * Grundmaße</p>

C.I.P.	475 No 2 N.E. 3"1/2	TAB. II
		Datum 84-06-14
		Revision 02-05-15
Ursprungsland: GB		
	PATRONE MAXI	PATRONENLAGER MINI
	<p>Längen</p> <p>L1* = 69.21 L2* = 74.29 L3¹⁾ = 88.90 L4 = L5 = L6 = 109.98</p> <p>Hülsenboden</p> <p>R¹⁾ = 2.03 -0.25 R1 = 17.14 R3 = E = E1 = e min = delta = f = beta =</p> <p>Pulverkammer</p> <p>P1 = 14.73 P2* = 13.97</p> <p>Schulterkonus</p> <p>alpha = 12°14'49" S = 134.32 r1 min = r2 =</p> <p>Hülsenhals</p> <p>H1* = 12.88 H2¹⁾ = 12.88</p> <p>Geschoss</p> <p>G1¹⁾ = 12.27 G2 = F = L3+G¹⁾ = 96.54</p> <p>Drücke (Energien)</p> <p>Mech. elektr. Wandler</p> <p>Pmax = 2750 bar PK = 3163 bar PE = 3440 bar M = 25.00 EE = 6957 Joule</p> <p>Verschiedene Daten</p> <p>Fe¹⁾ = 0.15 delta L =</p>	<p>Längen</p> <p>L1* = 69.24 L2* = 74.32 L3¹⁾ = 89.15</p> <p>Stoßboden</p> <p>R¹⁾ = 2.06 R1 = 17.40 R2 = R3 = r =</p> <p>Pulverkammer</p> <p>E = P1¹⁾ = 14.76 P2* = 14.00</p> <p>Schulterkonus</p> <p>alpha = 12°21'31" S = 133.89 r1 max = r2 =</p> <p>Hülsenhals</p> <p>H1* = 12.90 H2¹⁾ = 12.90</p> <p>Geschossübergang</p> <p>G1¹⁾* = 12.30 G¹⁾* = 7.64 alpha1 = 90° h* = 0.30 s = i¹⁾ = 0°56'12" w =</p> <p>Lauf</p> <p>F¹⁾* = 12.06 Z¹⁾ = 12.37</p> <p>Züge</p> <p>b = 2.67 N = 7 u = 457.00 Q = 117.15 mm²</p>
Maßstab 1:1.5		
Maße in << mm >> Maße und Toleranzen für Messläufe siehe Anhang CR 1.		Bemerkungen: 1) Kontrolle aus Sicherheitsgründen * Grundmaße

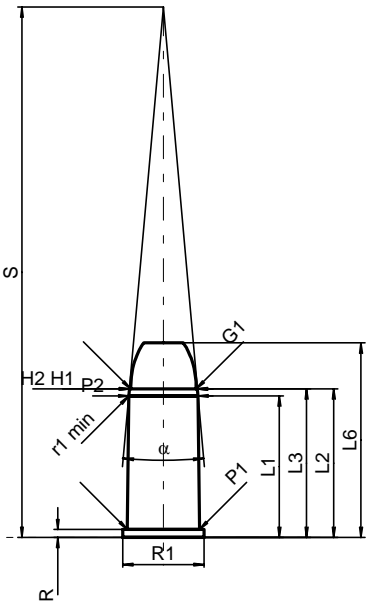
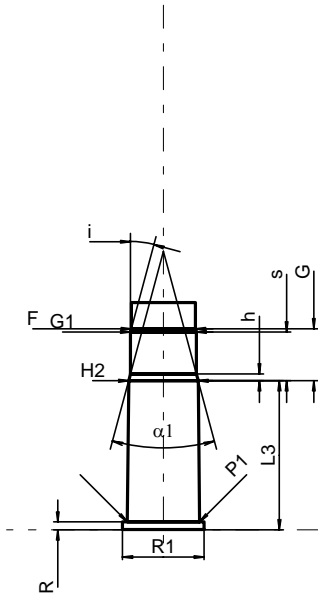
C.I.P.	475 N°2 N.E. 3"1/2 Jeffery	TAB.	II
		Datum	98-01-27
		Revision	02-05-15
Ursprungsland: GB			
	PATRONE MAXI		PATRONENLAGER MINI
	<p>Längen</p> <p>L1* = 69.21 L2* = 74.29 L3¹⁾ = 88.90 L4 = L5 = L6 = 109.98</p> <p>Hülsenboden</p> <p>R¹⁾ = 2.03 -0.25 R1 = 17.14 R3 = E = E1 = e min = delta = f = beta =</p> <p>Pulverkammer</p> <p>P1 = 14.73 P2* = 13.97</p> <p>Schulterkonus</p> <p>alpha = 10°20'53" S = 146.35 r1 min = r2 =</p> <p>Hülsenhals</p> <p>H1* = 13.05 H2¹⁾ = 13.05</p> <p>Geschoss</p> <p>G1¹⁾ = 12.39 G2 = F = L3+G¹⁾ = 96.54</p> <p>Drücke (Energien)</p> <p>Mech. elektr. Wandler</p> <p>Pmax = 2750 bar PK = 3163 bar PE = 3440 bar M = 25.00 EE = 6957 Joule</p> <p>Verschiedene Daten</p> <p>Fe¹⁾ = 0.15 delta L =</p>		<p>Längen</p> <p>L1* = 69.24 L2* = 74.32 L3¹⁾ = 89.15</p> <p>Stoßboden</p> <p>R¹⁾ = 2.06 R1 = 17.40 R2 = R3 = r =</p> <p>Pulverkammer</p> <p>E = P1¹⁾ = 14.76 P2* = 14.00</p> <p>Schulterkonus</p> <p>alpha = 10°27'36" S = 145.71 r1 max = r2 =</p> <p>Hülsenhals</p> <p>H1* = 13.07 H2¹⁾ = 13.07</p> <p>Geschossübergang</p> <p>G1¹⁾* = 12.42 G¹⁾* = 7.64 alpha1 = 90° h* = 0.33 s = i¹⁾ = 1°12'53" w =</p> <p>Lauf</p> <p>F¹⁾* = 12.11 Z¹⁾ = 12.42</p> <p>Züge</p> <p>b = 2.67 N = 7 u = 457.00 Q = 118.10 mm²</p>
			
	Maßstab 1:1.5		
Maße in << mm >> Maße und Toleranzen für Messläufe siehe Anhang CR 1.		Bemerkungen: 1) Kontrolle aus Sicherheitsgründen * Grundmaße	

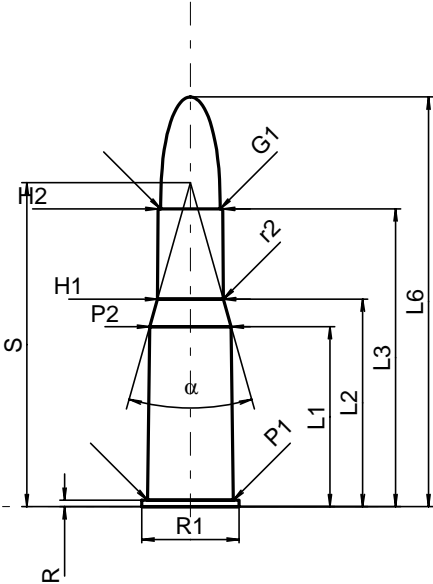
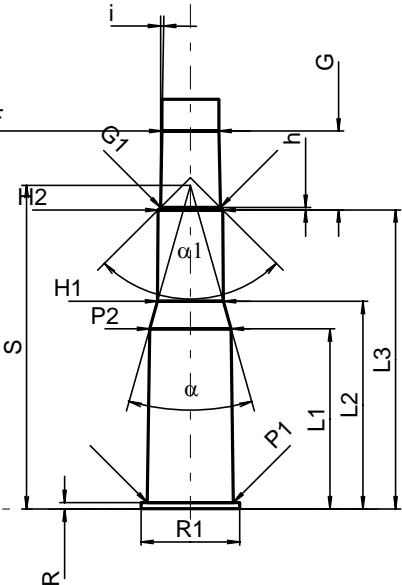
C.I.P.	50-95 Win.	TAB.	II
		Datum	09-05-05
		Revision	
Ursprungsland: US			
	PATRONE MAXI	PATRONENLAGER MINI	
	<p>Längen</p> <p>L1 = 36.63 L2 = 38.55 L3 ¹⁾ = 49.28 L4 = L5 = L6 = 57.40</p> <p>Hülsenboden</p> <p>R ¹⁾ = 1.57 -0.25 R1 = 15.93 R3 = E = E1 = e min = delta = f = 0.30 beta = 35°</p> <p>Pulverkammer</p> <p>P1 = 14.27 P2 * = 14.05</p> <p>Schulterkonus</p> <p>alpha * = 12°46'43" S * = 99.36 r1 min = 2.54 r2 = 2.54</p> <p>Hülsenhals</p> <p>H1 * = 13.62 H2 ¹⁾ = 13.62</p> <p>Geschoss</p> <p>G1 ¹⁾ = 13.03 G2 = F = L3+G ¹⁾ = 51.39</p> <p>Drücke (Energien)</p> <p>Mech. elektr. Wandler</p> <p>Pmax = 2100 bar PK = 2415 bar PE = 2625 bar M = 25.00 EE = 5000 Joule</p> <p>Verschiedene Daten</p> <p>Fe ¹⁾⁴⁾ = 0.15 delta L =</p>	<p>Längen</p> <p>L1 = 36.53 L2 = 38.32 L3 ¹⁾ = 49.78</p> <p>Stoßboden</p> <p>R ¹⁾ = 1.57 R1 = 15.98 R2 = R3 = r =</p> <p>Pulverkammer</p> <p>E = P1 ¹⁾ = 14.30 P2 * = 14.08</p> <p>Schulterkonus</p> <p>alpha * = 12°45'02" S * = 99.54 r1 max = r2 =</p> <p>Hülsenhals</p> <p>H1 * = 13.68 H2 ¹⁾ = 13.65</p> <p>Geschossübergang</p> <p>G1 ¹⁾* = 13.65 G ¹⁾ = 2.11 alpha l = h = s = i ¹⁾* = 15° w =</p> <p>Lauf</p> <p>F ¹⁾* = 12.52 Z ¹⁾ = 13.03</p> <p>Züge</p> <p>b = 3.75 N = 6 u = 508.00 Q = 128.93 mm²</p>	
<p>Maßstab 1:1.17</p> <p>Maße in << mm >> Maße und Toleranzen für Messläufe siehe Anhang CR 1.</p>		<p>Bemerkungen: 1) Kontrolle aus Sicherheitsgründen 4) Verschlussabstand an Rand * Grundmaße</p>	

C.I.P.	500 N. E. 3"		TAB.	II
	Ursprungsland: GB		Datum	84-06-14
			Revision	05-07-20
	PATRONE MAXI		PATRONENLAGER MINI	
	<p>Längen</p> <p>L1 =</p> <p>L2 =</p> <p>L3 ¹⁾ = 76.20</p> <p>L4 =</p> <p>L5 =</p> <p>L6 = 95.25</p> <p>Hülsenboden</p> <p>R ¹⁾ = 1.02 -0.25</p> <p>R1 = 16.64</p> <p>R3 =</p> <p>E =</p> <p>E1 =</p> <p>e min =</p> <p>δ =</p> <p>f =</p> <p>β =</p> <p>Pulverkammer</p> <p>P1 = 14.58</p> <p>P2 =</p> <p>Schulterkonus</p> <p>α =</p> <p>S =</p> <p>r1 min =</p> <p>r2 =</p> <p>Hülsenhals</p> <p>H1 =</p> <p>H2 ¹⁾ = 13.51</p> <p>Geschoss</p> <p>G1 ¹⁾ = 12.95</p> <p>G2 =</p> <p>F =</p> <p>L3+G ¹⁾ = 86.02</p> <p>Drücke (Energien)</p> <p>Mech. elektr. Wandler</p> <p>Pmax = 2800 bar</p> <p>PK = 3220 bar</p> <p>PE = 3500 bar</p> <p>M = 25.00</p> <p>EE = 8400 Joule</p> <p>Verschiedene Daten</p> <p>Fe ¹⁾ = 0.15</p> <p>delta L =</p>		<p>Längen</p> <p>L1 =</p> <p>L2 =</p> <p>L3 ¹⁾ = 76.45</p> <p>Stoßboden</p> <p>R ¹⁾ = 1.04</p> <p>R1 = 16.89</p> <p>R2 =</p> <p>R3 =</p> <p>r =</p> <p>Pulverkammer</p> <p>E =</p> <p>P1 ¹⁾ = 14.61</p> <p>P2 =</p> <p>Schulterkonus</p> <p>α =</p> <p>S =</p> <p>r1 max =</p> <p>r2 =</p> <p>Hülsenhals</p> <p>H1 =</p> <p>H2 ¹⁾ = 13.54</p> <p>Geschossübergang</p> <p>G1 ¹⁾* = 13.00</p> <p>G ¹⁾* = 9.82</p> <p>α1 = 90°</p> <p>h* = 0.27</p> <p>s =</p> <p>i ¹⁾ = 0°53'59"</p> <p>w =</p> <p>Lauf</p> <p>F ¹⁾* = 12.70</p> <p>Z ¹⁾ = 13.00</p> <p>Züge</p> <p>b = 3.61</p> <p>N = 7</p> <p>u = 381.00</p> <p>Q = 130.52 mm²</p>	
	<p>Maßstab 1:1.5</p> <p>Maße in << mm >></p> <p>Maße und Toleranzen für Messläufe siehe Anhang CR 1.</p>			
		<p>Bemerkungen: 1) Kontrolle aus Sicherheitsgründen * Grundmaße</p>		

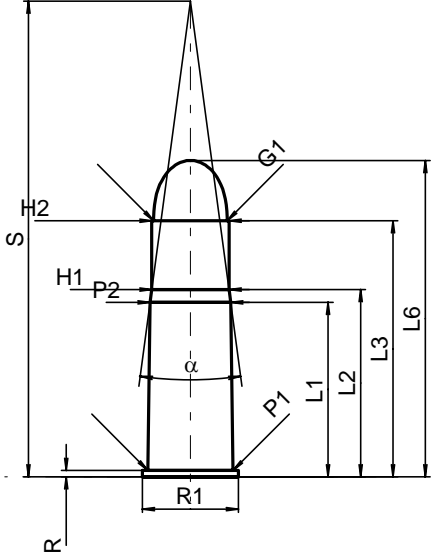
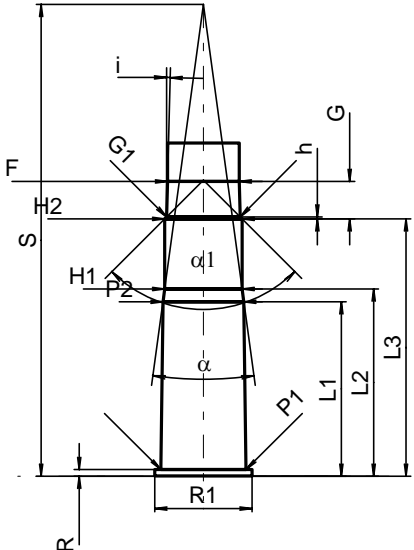
C.I.P.	500/416 N.E. 3"1/4		TAB. II
	Ursprungsland: DE		Datum 96-12-20
			Revision 02-05-15
	PATRONE MAXI		PATRONENLAGER MINI
	<p>Längen</p> <p>L1* = 60.96 L2* = 65.00 L3¹⁾ = 82.55 L4 = L5 = L6 = 101.09</p> <p>Hülsenboden</p> <p>R¹⁾ = 1.02 -0.25 R1 = 16.64 R3 = E = E1 = e min = delta = f = 0.30 beta = 45°</p> <p>Pulverkammer</p> <p>P1 = 14.55 P2* = 13.49</p> <p>Schulterkonus</p> <p>alpha = 29°40'07" S = 86.43 r1 min = r2 =</p> <p>Hülsenhals</p> <p>H1* = 11.35 H2¹⁾ = 11.33</p> <p>Geschoss</p> <p>G1¹⁾ = 10.57 G2 = F = L3+G¹⁾ = 90.17</p> <p>Drücke (Energien)</p> <p>Mech. elektr. Wandler</p> <p>Pmax = 3150 bar PK = 3625 bar PE = 3940 bar M = 25.00 EE = 6720 Joule</p> <p>Verschiedene Daten</p> <p>Fe¹⁾ = 0.15 delta L =</p>		<p>Längen</p> <p>L1* = 60.99 L2* = 65.03 L3¹⁾ = 82.85</p> <p>Stoßboden</p> <p>R¹⁾ = 1.04 R1 = 16.89 R2 = R3 = r =</p> <p>Pulverkammer</p> <p>E = P1¹⁾ = 14.58 P2* = 13.51</p> <p>Schulterkonus</p> <p>alpha = 29°32'10" S = 86.61 r1 max = 3.00 r2 = 3.00</p> <p>Hülsenhals</p> <p>H1* = 11.38 H2¹⁾ = 11.35</p> <p>Geschossübergang</p> <p>G1¹⁾* = 10.59 G¹⁾* = 7.62 alpha1 = 90° h* = 0.38 s = i¹⁾ = 0°56'58" w =</p> <p>Lauf</p> <p>F¹⁾* = 10.35 Z¹⁾ = 10.57</p> <p>Züge</p> <p>b = 3.60 N = 6 u = 420.00 Q = 86.56 mm²</p>
<p>Maßstab 1:1.5</p> <p>Maße in << mm >> Maße und Toleranzen für Messläufe siehe Anhang CR 1.</p>			<p>Bemerkungen: 1) Kontrolle aus Sicherheitsgründen * Grundmaße</p>

C.I.P.	500/465 N.E.		TAB.	II
	Ursprungsland: GB		Datum	84-06-14
			Revision	02-05-15
	PATRONE MAXI		PATRONENLAGER MINI	
	<p>Längen</p> <p>L1* = 55.88 L2* = 66.04 L3¹⁾ = 82.55 L4 = L5 = L6 = 99.06</p> <p>Hülsenboden</p> <p>R¹⁾ = 1.02 -0.25 R1 = 16.64 R3 = E = E1 = e min = delta = f = beta =</p> <p>Pulverkammer</p> <p>P1 = 14.58 P2* = 13.56</p> <p>Schulterkonus</p> <p>alpha = 5°41'28" S = 192.29 r1 min = r2 =</p> <p>Hülsenhals</p> <p>H1* = 12.55 H2¹⁾ = 12.47</p> <p>Geschoss</p> <p>G1¹⁾ = 11.89 G2 = F = L3+G¹⁾ = 93.15</p> <p>Drücke (Energien) Mech. elektr. Wandler</p> <p>Pmax = 2450 bar PK = 2818 bar PE = 3060 bar M = 25.00 EE = 6372 Joule</p> <p>Verschiedene Daten</p> <p>Fe¹⁾ = 0.15 delta L =</p>		<p>Längen</p> <p>L1* = 55.91 L2* = 66.07 L3¹⁾ = 82.80</p> <p>Stoßboden</p> <p>R¹⁾ = 1.04 R1 = 16.89 R2 = R3 = r =</p> <p>Pulverkammer</p> <p>E = P1¹⁾ = 14.61 P2* = 13.59</p> <p>Schulterkonus</p> <p>alpha = 5°44'50" S = 191.28 r1 max = r2 =</p> <p>Hülsenhals</p> <p>H1* = 12.57 H2¹⁾ = 12.50</p> <p>Geschossübergang</p> <p>G1¹⁾* = 11.95 G¹⁾* = 10.60 alpha1 = 90° h* = 0.28 s = i¹⁾ = 0°49'58" w =</p> <p>Lauf</p> <p>F¹⁾* = 11.65 Z¹⁾ = 11.87</p> <p>Züge</p> <p>b = 2.54 N = 7 u = 711.00 Q = 108.57 mm²</p>	
Maßstab 1:1.5				
Maße in << mm >> Maße und Toleranzen für Messläufe siehe Anhang CR 1.	Bemerkungen: 1) Kontrolle aus Sicherheitsgründen * Grundmaße			

C.I.P.	56/50 Spencer		TAB.	II
	Ursprungsland: US		Datum	04-05-18
			Revision	04-09-27
	PATRONE MAXI		PATRONENLAGER MINI	
	<p>Längen</p> <p>L1 = 28.04 L2 = 29.44 L3 ¹⁾ = 29.44 L4 = L5 = L6 = 38.56</p> <p>Hülsenboden</p> <p>R ¹⁾ = 1.55 -0.25 R1 = 16.13 R3 = E = E1 = e min = delta = f = beta =</p> <p>Pulverkammer</p> <p>P1 = 14.30 P2 * = 13.75</p> <p>Schulterkonus</p> <p>alpha * = 10°11' S * = 105.20 r1 min = 0.50 r2 =</p> <p>Hülsenhals</p> <p>H1 * = 13.50 H2 ¹⁾ = 13.50</p> <p>Geschoss</p> <p>G1 ¹⁾ = 13.00 G2 = F = L1+G ¹⁾ = 39.76</p> <p>Drücke (Energien)</p> <p>Mech. elektr. Wandler</p> <p>Pmax = 2050 bar PK = 2358 bar PE = 2560 bar M = 17.50 EE = 1950 Joule</p> <p>Verschiedene Daten</p> <p>Fe = 0.15 delta L =</p>		<p>Längen</p> <p>L1 = L2 = L3 ¹⁾ = 29.55</p> <p>Stoßboden</p> <p>R = 1.55 R1 = 16.20 R2 = R3 = r =</p> <p>Pulverkammer</p> <p>E = P1 ¹⁾ = 14.32 P2 =</p> <p>Schulterkonus</p> <p>alpha = S = r1 max = r2 =</p> <p>Hülsenhals</p> <p>H1 = H2 ¹⁾ = 13.77</p> <p>Geschossübergang</p> <p>G1 ¹⁾* = 13.03 G ¹⁾ = 10.32 alpha 1 * = 30°01'04" h = 1.38 s = 9.70 i ¹⁾* = 15° w =</p> <p>Lauf</p> <p>F ¹⁾* = 12.70 Z ¹⁾ = 12.95</p> <p>Züge</p> <p>b = 3.50 N = 6 u = 508.00 Q = 129.34 mm²</p>	
	<p>Maßstab 1:1.5</p> <p>Maße in << mm >> Maße und Toleranzen für Messläufe siehe Anhang CR 1.</p>			
		<p>Bemerkungen: 1) Kontrolle aus Sicherheitsgründen * Grundmaße</p>		

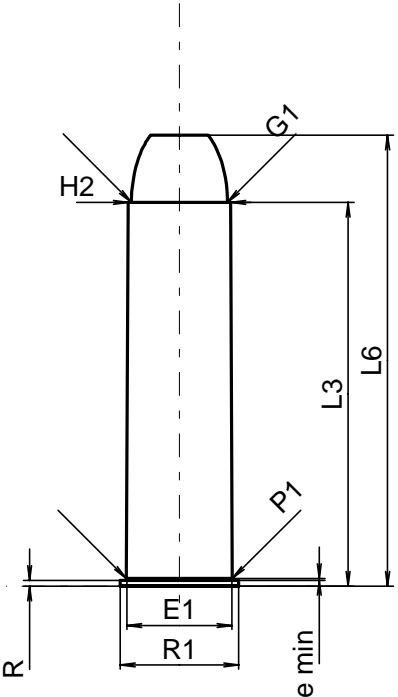
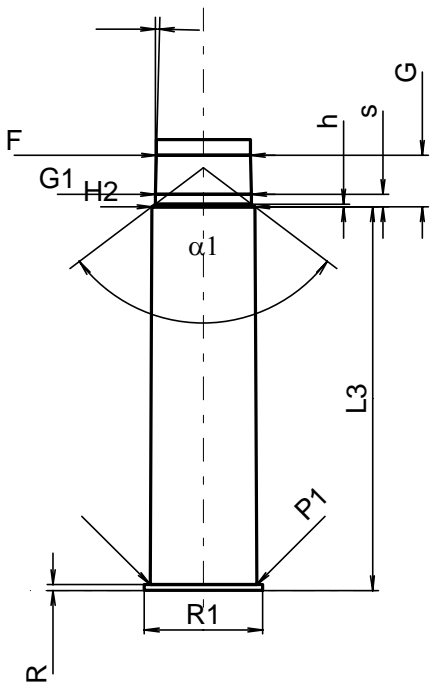
C.I.P.	577/450 Sld. Mart. H. Ursprungsland: GB	TAB. II
		Datum 84-06-14
		Revision 02-05-15
	PATRONE MAXI	PATRONENLAGER MINI
	<p>Längen</p> <p>L1* = 35.71 L2* = 41.17 L3¹⁾ = 59.08 L4 = L5 = L6 = 81.28</p> <p>Hülsenboden</p> <p>R¹⁾ = 1.27 -0.25 R1 = 19.30 R3 = E = E1 = e min = delta = f = beta =</p> <p>Pulverkammer</p> <p>P1 = 17.07 P2* = 16.15</p> <p>Schulterkonus</p> <p>alpha = 31°35'58" S = 64.25 r1 min = r2 = 9.14</p> <p>Hülsenhals</p> <p>H1* = 13.06 H2¹⁾ = 12.83</p> <p>Geschoss</p> <p>G1¹⁾ = 11.81 G2 = F = L3+G¹⁾ = 74.74</p> <p>Drücke (Energien)</p> <p>Mech. elektr. Wandler</p> <p>Pmax = 1750 bar PK = 2013 bar PE = 2190 bar M = 25.00 EE = 2532 Joule</p> <p>Verschiedene Daten</p> <p>Fe¹⁾ = 0.15 delta L =</p>	<p>Längen</p> <p>L1* = 35.74 L2* = 41.20 L3¹⁾ = 59.33</p> <p>Stoßboden</p> <p>R¹⁾ = 1.30 R1 = 19.56 R2 = R3 = r =</p> <p>Pulverkammer</p> <p>E = P1¹⁾ = 17.09 P2* = 16.18</p> <p>Schulterkonus</p> <p>alpha = 31°41'48" S = 64.24 r1 max = r2 =</p> <p>Hülsenhals</p> <p>H1* = 13.08 H2¹⁾ = 12.85</p> <p>Geschossübergang</p> <p>G1¹⁾* = 11.88 G¹⁾* = 15.66 alpha1 = 90° h* = 0.49 s = i¹⁾ = 1°00'03" w =</p> <p>Lauf</p> <p>F¹⁾* = 11.35 Z¹⁾ = 11.80</p> <p>Züge</p> <p>b = N = u = 508.00 Q = 101.18 mm²</p>
		
Maßstab 1:1.5		
Maße in << mm >> Maße und Toleranzen für Messläufe siehe Anhang CR 1.	Bemerkungen: 1) Kontrolle aus Sicherheitsgründen * Grundmaße	

C.I.P.	577 N.E. 3"		TAB.	II
	Ursprungsland: GB		Datum	84-06-14
			Revision	12-05-30
	PATRONE MAXI		PATRONENLAGER MINI	
	<p>Längen</p> <p>L1 =</p> <p>L2 =</p> <p>L3 ¹⁾ = 76.20</p> <p>L4 =</p> <p>L5 =</p> <p>L6 = 93.98</p> <p>Hülsenboden</p> <p>R ¹⁾ = 1.27 -0.25</p> <p>R1 = 19.05</p> <p>R3 =</p> <p>E =</p> <p>E1 =</p> <p>e min =</p> <p>δ =</p> <p>f =</p> <p>β =</p> <p>Pulverkammer</p> <p>P1 = 16.81</p> <p>P2 =</p> <p>Schulterkonus</p> <p>α =</p> <p>S =</p> <p>r1 min =</p> <p>r2 =</p> <p>Hülsenhals</p> <p>H1 =</p> <p>H2 ¹⁾ = 15.37</p> <p>Geschoss</p> <p>G1 ¹⁾ = 14.83</p> <p>G2 =</p> <p>F =</p> <p>L3+G ¹⁾ = 85.06</p> <p>Drücke (Energien)</p> <p>Mech. elektr. Wandler</p> <p>Pmax = 2450 bar</p> <p>PK = 2818 bar</p> <p>PE = 3060 bar</p> <p>M = 25.00</p> <p>EE = 9975 Joule</p> <p>Verschiedene Daten</p> <p>Fe ¹⁾⁴⁾ = 0.15</p> <p>delta L =</p>		<p>Längen</p> <p>L1 =</p> <p>L2 =</p> <p>L3 ¹⁾ = 76.45</p> <p>Stoßboden</p> <p>R ¹⁾ = 1.30</p> <p>R1 = 19.30</p> <p>R2 =</p> <p>R3 =</p> <p>r =</p> <p>Pulverkammer</p> <p>E =</p> <p>P1 ¹⁾ = 16.84</p> <p>P2 =</p> <p>Schulterkonus</p> <p>α =</p> <p>S =</p> <p>r1 max =</p> <p>r2 =</p> <p>Hülsenhals</p> <p>H1 =</p> <p>H2 ¹⁾ = 15.39</p> <p>Geschossübergang</p> <p>G1 ¹⁾* = 14.85</p> <p>G ¹⁾* = 8.86</p> <p>α1 = 90°</p> <p>h* = 0.27</p> <p>s =</p> <p>i ¹⁾ = 0°38'01"</p> <p>w =</p> <p>Lauf</p> <p>F ¹⁾* = 14.66</p> <p>Z ¹⁾ = 14.86</p> <p>Züge</p> <p>b = 4.66</p> <p>N = 7</p> <p>u = 762.00</p> <p>Q = 172.11 mm²</p>	
	<p>Maßstab 1:1.3</p> <p>Maße in << mm >></p> <p>Maße und Toleranzen für Messläufe siehe Anhang CR 1.</p>			
		<p>Bemerkungen: 1) Kontrolle aus Sicherheitsgründen 4) Verschlussabstand an Rand * Grundmaße</p>		

C.I.P.	577 Sld. Snider		TAB.	II
	Ursprungsland: GB		Datum	84-06-14
			Revision	02-05-15
	PATRONE MAXI		PATRONENLAGER MINI	
	<p>Längen</p> <p>L1* = 34.57 L2* = 37.11 L3¹⁾ = 50.80 L4 = L5 = L6 = 62.74</p> <p>Hülsenboden</p> <p>R¹⁾ = 1.27 -0.25 R1 = 19.05 R3 = E = E1 = e min = delta = f = beta =</p> <p>Pulverkammer</p> <p>P1 = 16.89 P2* = 16.00</p> <p>Schulterkonus</p> <p>alpha = 15°14'54" S = 94.33 r1 min = r2 =</p> <p>Hülsenhals</p> <p>H1* = 15.32 H2¹⁾ = 15.32</p> <p>Geschoss</p> <p>G1¹⁾ = 14.58 G2 = F = L3+G¹⁾ = 58.23</p> <p>Drücke (Energien)</p> <p>Mech. elektr. Wandler</p> <p>Pmax = 1500 bar PK = 1725 bar PE = 1875 bar M = 25.00 EE = 2290 Joule</p> <p>Verschiedene Daten</p> <p>Fe¹⁾ = 0.15 delta L =</p>		<p>Längen</p> <p>L1* = 34.59 L2* = 37.13 L3¹⁾ = 51.05</p> <p>Stoßboden</p> <p>R¹⁾ = 1.30 R1 = 19.30 R2 = R3 = r =</p> <p>Pulverkammer</p> <p>E = P1¹⁾ = 16.92 P2* = 16.03</p> <p>Schulterkonus</p> <p>alpha = 15°28'12" S = 93.60 r1 max = r2 =</p> <p>Hülsenhals</p> <p>H1* = 15.34 H2¹⁾ = 15.34</p> <p>Geschossübergang</p> <p>G1¹⁾* = 14.60 G¹⁾* = 7.43 alpha1 = 90° h* = 0.37 s = i¹⁾ = 1°30'03" w =</p> <p>Lauf</p> <p>F¹⁾* = 14.23 Z¹⁾ = 14.58</p> <p>Züge</p> <p>b = N = u = 508.00 Q = 159.04 mm²</p>	
				
Maßstab 1:1.5				
Maße in << mm >> Maße und Toleranzen für Messläufe siehe Anhang CR 1.		Bemerkungen: 1) Kontrolle aus Sicherheitsgründen * Grundmaße		

C.I.P.	600 N.E.		TAB.	II
	Ursprungsland: GB		Datum	84-06-14
			Revision	02-05-15
	PATRONE MAXI		PATRONENLAGER MINI	
	<p>Längen</p> <p>L1 =</p> <p>L2 =</p> <p>L3 ¹⁾ = 76.20</p> <p>L4 =</p> <p>L5 =</p> <p>L6 = 93.98</p> <p>Hülsenboden</p> <p>R ¹⁾ = 1.65 -0.25</p> <p>R1 = 20.57</p> <p>R3 =</p> <p>E =</p> <p>E1 =</p> <p>e min =</p> <p>δ =</p> <p>f =</p> <p>β =</p> <p>Pulverkammer</p> <p>P1 = 17.78</p> <p>P2 =</p> <p>Schulterkonus</p> <p>α =</p> <p>S =</p> <p>r1 min =</p> <p>r2 =</p> <p>Hülsenhals</p> <p>H1 =</p> <p>H2 ¹⁾ = 16.51</p> <p>Geschoss</p> <p>G1 ¹⁾ = 15.75</p> <p>G2 =</p> <p>F =</p> <p>L3+G ¹⁾ = 86.89</p> <p>Drücke (Energien)</p> <p>Mech. elektr. Wandler</p> <p>Pmax = 2450 bar</p> <p>PK = 2818 bar</p> <p>PE = 3060 bar</p> <p>M = 25.00</p> <p>EE = 10323 Joule</p> <p>Verschiedene Daten</p> <p>Fe ¹⁾ = 0.15</p> <p>delta L =</p>		<p>Längen</p> <p>L1 =</p> <p>L2 =</p> <p>L3 ¹⁾ = 76.45</p> <p>Stoßboden</p> <p>R ¹⁾ = 1.68</p> <p>R1 = 20.83</p> <p>R2 =</p> <p>R3 =</p> <p>r =</p> <p>Pulverkammer</p> <p>E =</p> <p>P1 ¹⁾ = 17.81</p> <p>P2 =</p> <p>Schulterkonus</p> <p>α =</p> <p>S =</p> <p>r1 max =</p> <p>r2 =</p> <p>Hülsenhals</p> <p>H1 =</p> <p>H2 ¹⁾ = 16.54</p> <p>Geschossübergang</p> <p>G1 ¹⁾* = 15.78</p> <p>G ¹⁾* = 10.69</p> <p>α1 = 90°</p> <p>h* = 0.38</p> <p>s =</p> <p>i ¹⁾ = 1°05'01"</p> <p>w =</p> <p>Lauf</p> <p>F ¹⁾* = 15.39</p> <p>Z ¹⁾ = 15.70</p> <p>Züge</p> <p>b = 4.09</p> <p>N = 7</p> <p>u = 762.00</p> <p>Q = 190.51 mm²</p>	
<p>Maßstab 1:1.5</p> <p>Maße in << mm >></p> <p>Maße und Toleranzen für Messläufe siehe Anhang CR 1.</p>			<p>Bemerkungen: 1) Kontrolle aus Sicherheitsgründen * Grundmaße</p>	

C.I.P.	700 H&H. Nitro Exp.	TAB. II
		Datum 92-04-06
		Revision 02-05-15
Ursprungsland: GB		
	PATRONE MAXI	PATRONENLAGER MINI
	<p>Längen</p> <p>L1 =</p> <p>L2 =</p> <p>L3¹⁾ = 88.90</p> <p>L4 =</p> <p>L5 =</p> <p>L6 = 106.68</p> <p>Hülsenboden</p> <p>R¹⁾ = 2.16 -0.25</p> <p>R1 = 22.60</p> <p>R3 =</p> <p>E =</p> <p>E1 =</p> <p>e min =</p> <p>delta =</p> <p>f = 0.60</p> <p>beta = 45°</p> <p>Pulverkammer</p> <p>P1 = 19.86</p> <p>P2 =</p> <p>Schulterkonus</p> <p>alpha =</p> <p>S =</p> <p>r1 min =</p> <p>r2 =</p> <p>Hülsenhals</p> <p>H1 =</p> <p>H2¹⁾ = 18.54</p> <p>Geschoss</p> <p>G1¹⁾ = 17.78</p> <p>G2 =</p> <p>F =</p> <p>L3+G¹⁾ = 99.06</p> <p>Drücke (Energien)</p> <p>Mech. elektr. Wandler</p> <p>Pmax = 2750 bar</p> <p>PK = 3163 bar</p> <p>PE = 3440 bar</p> <p>M = 25.00</p> <p>EE = 14325 Joule</p> <p>Verschiedene Daten</p> <p>Fe¹⁾ = 0.15</p> <p>delta L =</p>	<p>Längen</p> <p>L1 =</p> <p>L2 =</p> <p>L3¹⁾ = 89.15</p> <p>Stoßboden</p> <p>R¹⁾ = 2.18</p> <p>R1 = 22.86</p> <p>R2 =</p> <p>R3 =</p> <p>r =</p> <p>Pulverkammer</p> <p>E =</p> <p>P1¹⁾ = 19.89</p> <p>P2 =</p> <p>Schulterkonus</p> <p>alpha =</p> <p>S =</p> <p>r1 max =</p> <p>r2 =</p> <p>Hülsenhals</p> <p>H1 =</p> <p>H2¹⁾ = 18.57</p> <p>Geschossübergang</p> <p>G1^{1)*} = 17.81</p> <p>G^{1)*} = 10.16</p> <p>alpha1 = 180°</p> <p>h =</p> <p>s =</p> <p>i¹⁾ = 0°55'49"</p> <p>w =</p> <p>Lauf</p> <p>F^{1)*} = 17.48</p> <p>Z¹⁾ = 17.78</p> <p>Züge</p> <p>b = 5.23</p> <p>N = 8</p> <p>u = 737.00</p> <p>Q = 246.35 mm²</p>
<p>Maßstab 1:1.5</p> <p>Maße in << mm >></p> <p>Maße und Toleranzen für Messläufe siehe Anhang CR 1.</p>		<p>Bemerkungen: 1) Kontrolle aus Sicherheitsgründen * Grundmaße</p>

C.I.P.	4 Bore Rifle		TAB.	II
	Ursprungsland: US		Datum	93-09-27
			Revision	02-05-15
	PATRONE MAXI		PATRONENLAGER MINI	
	<p>Längen</p> <p>L1 =</p> <p>L2 =</p> <p>L3 ¹⁾ = 101.50</p> <p>L4 =</p> <p>L5 =</p> <p>L6 = 119.30</p> <p>Hülsenboden</p> <p>R ¹⁾ = 1.50 -0.25</p> <p>R1 = 31.30</p> <p>R3 =</p> <p>E =</p> <p>E1 = 27.80</p> <p>e min = 0.50</p> <p>δ =</p> <p>f =</p> <p>β =</p> <p>Pulverkammer</p> <p>P1 = 28.00</p> <p>P2 =</p> <p>Schulterkonus</p> <p>α =</p> <p>S =</p> <p>r1 min =</p> <p>r2 =</p> <p>Hülsenhals</p> <p>H1 =</p> <p>H2 ¹⁾ = 27.15</p> <p>Geschoss</p> <p>G1 ¹⁾ = 25.40</p> <p>G2 = 18.00</p> <p>F =</p> <p>L3+G ¹⁾ = 115.10</p> <p>Drücke (Energien)</p> <p>Mech. elektr. Wandler</p> <p>Pmax = 2500 bar</p> <p>PK = 2875 bar</p> <p>PE = 3125 bar</p> <p>M = 25.00</p> <p>EE = 10500 Joule</p> <p>Verschiedene Daten</p> <p>Fe ¹⁾ = 0.15</p> <p>delta L =</p>		<p>Längen</p> <p>L1 =</p> <p>L2 =</p> <p>L3 ¹⁾ = 101.50</p> <p>Stoßboden</p> <p>R ¹⁾ = 1.55</p> <p>R1 = 31.30</p> <p>R2 =</p> <p>R3 =</p> <p>r =</p> <p>Pulverkammer</p> <p>E =</p> <p>P1 ¹⁾ = 28.20</p> <p>P2 =</p> <p>Schulterkonus</p> <p>α =</p> <p>S =</p> <p>r1 max =</p> <p>r2 =</p> <p>Hülsenhals</p> <p>H1 =</p> <p>H2 ¹⁾ = 27.30</p> <p>Geschossübergang</p> <p>G1 ¹⁾* = 25.45</p> <p>G ¹⁾ = 13.60</p> <p>α1 * = 105°46'12"</p> <p>h = 0.70</p> <p>s = 3.30</p> <p>i ¹⁾* = 1°30'</p> <p>w =</p> <p>Lauf</p> <p>F ¹⁾* = 24.91</p> <p>Z ¹⁾ = 25.40</p> <p>Züge</p> <p>b = 6.50</p> <p>N = 8</p> <p>u =</p> <p>Q = 500.23 mm²</p>	
	Maßstab 1:2			
	<p>Maße in << mm >></p> <p>Maße und Toleranzen für Messläufe siehe Anhang CR 1.</p>		<p>Bemerkungen: 1) Kontrolle aus Sicherheitsgründen * Grundmaße</p>	

